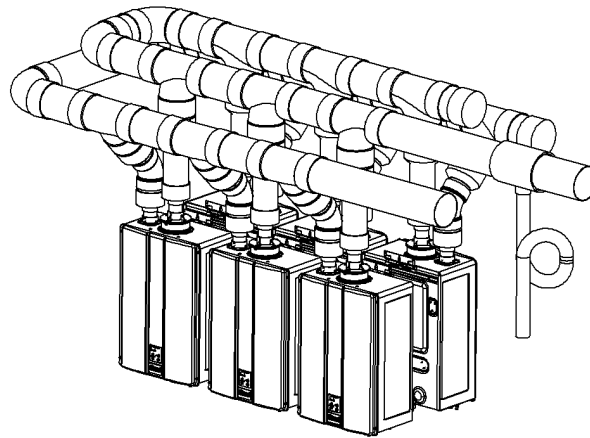


PVC/CPVC Common Venting

INSTALLATION INSTRUCTIONS for I-SERIES PLUS BOILERS

Vent Diameters	3 in., 4 in., 6 in.
Installations	For U.S. and Canadian Installations
Compatible Models	I-Series Plus Boiler (Heat-Only/Solo) Models: IP060S (REB-B1800FF-US), IP090S (REB-B2600FF-US), IP120S (REB-B3500FF-US), IP150S (REB-B4400FF-US)



CERTIFIED TO ANSI Z21.13 CSA 4.9

⚠ WARNING If the information in these instructions is not followed exactly, a fire or explosion may result causing property damage, personal injury or death.

- Do not store or use gasoline or other flammable vapors and liquids in the vicinity of this or any other appliance.
- **WHAT TO DO IF YOU SMELL GAS**
 - Do not try to light any appliance.
 - Do not touch any electrical switch; do not use any phone in your building.
 - Immediately call your gas supplier from a neighbor's phone. Follow the gas supplier's instructions.
 - If you cannot reach your gas supplier, call the fire department.
- Installation and service must be performed by a licensed professional.

Rinnai

Contents

Welcome	3
Safety	4
About the Common Venting System	5
Venting Guidelines.....	5
Schedule 40 PVC/CPVC Common Vent Guidelines.....	7
High Altitude Installations	8
Common Vent Maximum Equivalent Lengths.....	9
3 in. Common Venting	10
4 in. Common Venting	11
6 in. Common Venting	12
Common Vent Terminations	13
Sample Horizontal Termination Assembly.....	14
Sample Vertical Termination Assembly-Room Air	15
Maintenance Clearances.....	16
Boiler Clearances	16
Vertical Termination Clearances (All System Sizes).....	16
Horizontal Termination Clearances	17
Combustion Air Requirements	18
Exhaust Vent Termination Clearances.....	21
Additional Clearances	23
Condensate Trap and Drain Pipe Installation Instructions	24
Final Checklist.....	24

Welcome

This manual provides installation instructions for PVC/CPVC common venting and is a supplement to the Installation and Operations Manual supplied with the Rinnai I-Series Plus Condensing Heat-Only Boiler. For Ubbink Polypropylene (PP) common venting, refer to installation instructions for Ubbink Polypropylene (PP) common venting.

Common venting must satisfy all the requirements of the Installation and Operations Manual, as well as the requirements in this manual.

For detailed information on the Rinnai I-Series Plus Condensing Heat-Only Boiler, including installation instructions, refer to the I-Series Plus Condensing Heat-Only Boiler Installation and Operation Manual or view an online version at rinnai.us or rinnai.ca. Illustrations of I-Series Plus Condensing Heat-Only Boilers in this document represent one of the applicable Rinnai I-Series Plus Condensing Heat-Only Boilers. Your boiler may look different than the images in this document.

To The Installer

- This manual is intended for the trained and qualified professional and is designed for licensed installers who should have skills such as:
 - Gas sizing.
 - Connecting gas lines, water lines, valves, and electricity.
 - Knowledge of applicable national, state, and local codes.
 - Installing venting through a wall or roof.
 - Training in installation of I-Series Plus Condensing Heat-Only Boilers. Training on Rinnai I-Series Plus Condensing Heat-Only Boilers is accessible at rinnai.pro.myabsorb.com.
- A trained and qualified professional must test the Common Venting System for leaks before use.
- The installation must conform to the Rinnai I-Series Plus Condensing Heat-Only Boiler Installation and Operation Manual that is shipped with the unit, local codes, or in the absence of local codes, with the National Fuel Gas Code, ANSI Z223.1/NFPA 54.
- Read all instructions contained in this manual before installing the Common Venting System.
- Proper installation is the responsibility of the installer.
- When installation is complete, give all manuals related to the common venting installation (including this manual and the Rinnai I-Series Plus Condensing Heat-Only Boiler Installation and Operation Manual) directly to the consumer. The manuals should be stored in a readily accessible location for future reference.

To The Consumer

- Keep this manual for future reference.
- Be sure your Common Venting System is installed by a trained and qualified professional.

Safety

READ ALL INSTRUCTIONS BEFORE INSTALLATION

WARNING

If the information in these instructions is not followed exactly, a fire or explosion may result causing property damage, personal injury, or death.

- Do not store or use gasoline or other flammable vapors and liquids in the vicinity of this or any other appliance.
- WHAT TO DO IF YOU SMELL GAS
 - Do not try to light any appliance.
 - Do not touch any electrical switch; do not use any phone in your building.
 - Immediately call your gas supplier from a neighbor's phone. Follow the gas supplier's instructions.
 - If you cannot reach your gas supplier, call the fire department.
- Installation and service must be performed by a trained and qualified installer, service agency or the gas supplier.

WARNING

- The warning signs in this manual are here to prevent injury to you and others. Please follow them explicitly.
- Installations must comply with local requirements and with the National Fuel Gas Code, ANSI Z223.1/NFPA 54 for U.S. installations.
- Use only the materials listed in this manual for vent, air intake pipe, and fittings. Failure to comply with this warning could result in property damage.
- **DO NOT** slope the combustion air pipe toward unit. Failure to comply with this warning could result in property damage, personal injury, or death.
- **DO NOT** apply PVC/CPVC glues, solvents, or cleaners to the I-Series Plus Condensing Heat-Only Boiler's intake or exhaust gasket connections. Failure to correctly assemble the components according to these instructions and the Rinnai Boiler installation and operation manual may result in property damage, personal injury, or death.

Safety Symbols

This manual contains the following important safety symbols. Always read and obey all safety messages.



Safety alert symbol. Alerts you to potential hazards that can kill or hurt you and others.



WARNING

Indicates a potentially hazardous situation which, if not avoided, could result in personal injury or death.



DANGER

Indicates an imminently hazardous situation which, if not avoided, will result in personal injury or death.

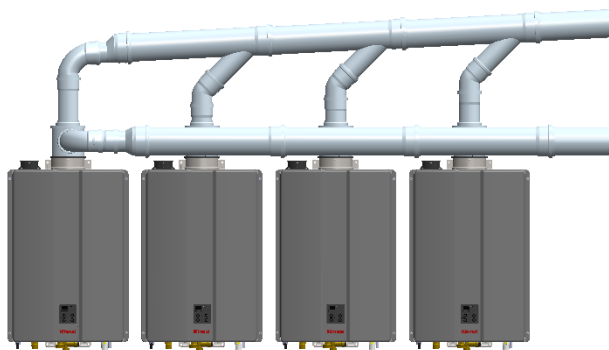


CAUTION

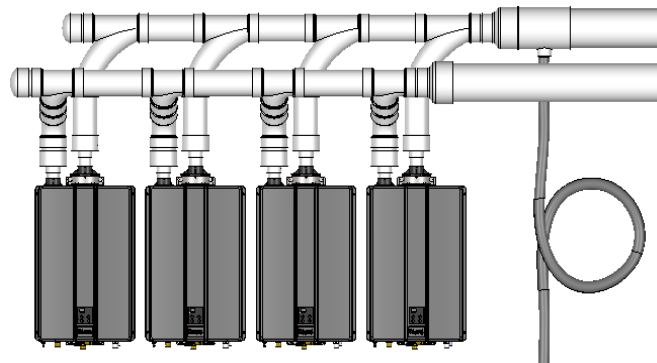
Indicates a potentially hazardous situation which, if not avoided, could result in minor or moderate injury. It may also be used to alert against unsafe practices.

About the Common Venting System

Common venting allows multiple Rinnai I-Series Plus Condensing Heat-Only Boilers to share the same vent system. Rinnai I-Series Plus Condensing Heat-Only Boilers can only be common vented with Schedule 40 PVC/CPVC or with a Rinnai certified common vent system.



Example: Rinnai Common Venting



*Example: Schedule 40 PVC/CPVC
Common Venting*



Venting Guidelines

- Use only the materials listed in this manual for vent, air intake pipe, and fittings. Failure to comply with this warning could result in property damage, personal injury, or death.
- When cutting vent components, ensure that the cuts are straight.
- Chamfer and deburr all edges before installing the components.
- Vent joints must not leak. Confirm gas tight connections of every vent joint.
- Before operating the boiler(s), ensure vent system is clean and free of debris.
- Vent system must be supported according to the vent manufacturer's installation instructions.
- Venting should be as direct as possible with a minimum number of fittings.
- The common vent system must only be installed by a trained and qualified professional.

Common Vent Termination Clearances

- Vent termination per ANSI Z223.1/NFPA 54. For clearances not specified in ANSI Z223.1/NFPA 54, clearances are in accordance with local installation codes and the requirements of the gas supplier.

WARNING

-  DO NOT slope the combustion air pipe toward unit. Failure to comply with this warning could result in property damage, personal injury, or death.
-  DO NOT apply PVC/CPVC glues, solvents, or cleaners to the I-Series Plus Condensing Heat-Only Boiler's intake or exhaust gasket connections. Failure to correctly assemble the components according to these instructions may result in property damage, personal injury, or death.

Do Not

- Do not exceed the maximum number of units indicated in the Rinnai I-Series Plus Condensing Heat-Only Boiler Installation and Operation Manual.
- Do not use cellular core PVC/CPVC, Radel, ABS or galvanized material for the exhaust vent.
- Do not combine vent components from different manufacturers.
- Do not connect the venting system with an existing vent or chimney.
- Do not cover vent components with thermal insulation.
- Do not common vent with the vent pipe of any other type of boiler or appliance.
- Do not reduce vent diameter to less than 2 in. (51 mm).
- Do not install the boiler in an area of negative pressure.
- Do not install the boiler, venting, and vent termination(s) in any areas where the air may contain corrosive compounds.

Must Do

- You must use vent components that are certified and listed with the boiler model.
- The vent system must vent directly to the outside of the building and use outside air or room air for combustion.
- Avoid dips or sags in horizontal vent runs by installing supports per the vent manufacturer's instructions.
- Support horizontal vent runs a minimum of every four feet and all vertical vent runs a minimum of every six feet.
- Venting should be as direct as possible with a minimum number of pipe fittings.
- The header must run horizontal past the last unit before turning vertical.
- Vent components connected to the boiler must be secured with one self-tapping screw. Do not use any glues or solvents to connect vent components to the boiler.
- Set the temperature setting on all Boilers being common vented to the same temperature.

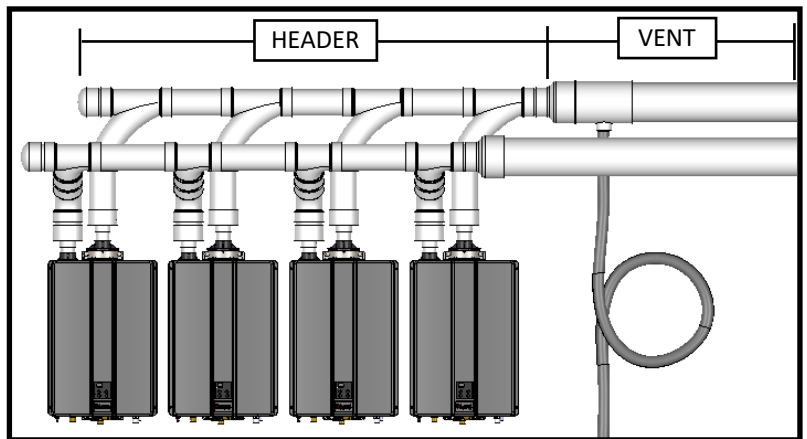
Schedule 40 PVC/CPVC Common Vent Guidelines

⚠ WARNING PVC solvents (primer and glue) can be extremely flammable. Vapors may cause a flash fire or explosion resulting in property damage, personal injury or death.

- Keep solvents away from heat, sparks, flames and all other sources of ignition.
- Do not solder, cut or weld until all vapors have dissipated.
- PVC solvents are heavier than air causing them to settle at low points of the system.
- Before using PVC solvent:
 - Disconnect power to the boiler.
 - Remove the front cover of the boiler.
 - Ensure areas around the boiler and PVC venting are well ventilated.
 - Allow all vapors to dissipate before applying power to the system or introducing any other source of ignition.

When installing PVC/CPVC Common Vent, follow these guidelines:

- Avoid sharp bends or tees in the vent system. These vent components create additional restrictions that could reduce performance of the Boilers.
- PVC combustion air and exhaust should terminate with elbow or tee pointing down. This will stop unwanted moisture from entering the vent system.
- Fire rated penetrations shall be firestopped. Contact your vent supplier or local firestop manufacturer for appropriate firestop methods.






PVC/CPVC Common Vent Installation

- Examine all vent components for damage prior to installation.
- PVC/CPVC vent systems must be free to expand and contract. Refer to the vent manufacturer's installation instructions for appropriate support methods.
- PVC/CPVC venting must include unrestricted vent movement through walls, ceilings, and roof penetrations.
- Use only PVC/CPVC primer and cement approved for use by the vent manufacturer.
- Refer to vent manufacturer's installation instructions for proper joint assembly procedures and products.
- PVC/CPVC common venting should include a condensate drain and trap between the header and vent length. Condensate trap must include a loop that can hold 6 in. (15 cm) of water. See "PVC/CPVC Common Vent Installation" illustration on this page.
- Multi-story common venting system is prohibited.

DO NOT

- ❌ DO NOT mix vent pipe, fittings or joining methods from different vent manufacturers.
- ❌ DO NOT attempt to repair damaged vent. Damaged vent components must be replaced.
- ❌ DO NOT use short radius elbows in the common vent system.

ACCEPTABLE	ACCEPTABLE	NOT ACCEPTABLE
90° Elbows, Long Sweep	90° Elbows, Short Sweep	90° Elbows, Close Turn
		

 **NOTE**

Unless recovering a tank, Rinnai recommends electronically connecting boilers when used in a manifold system and when common vented. **Refer to the Rinnai I-Series Plus Condensing Heat-Only Boiler Installation and Operation Manual for additional details on electronically connecting multiple Boilers.**

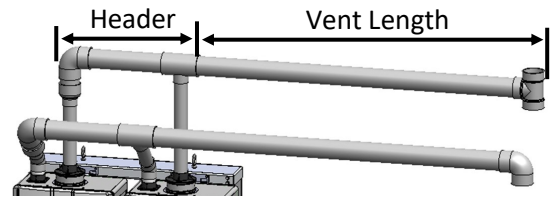
High Altitude Installations

- High altitude installations are certified up to 10,200 ft (3,109 m).
- Reference the respective Rinnai I-Series Plus Condensing Heat-Only Boiler Installation and Operation Manual to set the Boiler up for the altitude at which they will be operating.
- I-Series Plus Condensing Heat-Only Boilers using common venting at altitudes over 2,000 ft (610 m) will automatically derate.

Common Vent Maximum Equivalent Vent Lengths

For the table below:

- Header is the main vent pipe into which several vents connect.
- Vent Length is the distance from the end of the header to the vent termination.
- Maximum vent length starts at the end of the header system.
- Use 10 ft (3 m) as equivalent vent length for 90° elbows.
- For use with internal (indoor) I-Series Plus Condensing Heat-Only Boilers.



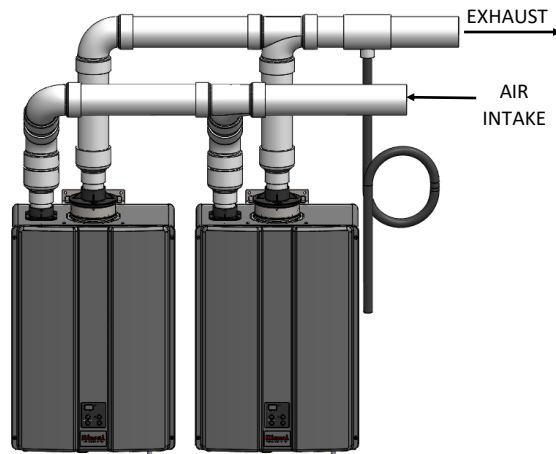
I-Series Plus Condensing Heat-Only Boilers (Internal/Indoor Models)

Boiler Models	Number of Boilers	HEADER DIAMETER			
		3 in.	4 in.		6 in.
		3 in. Vent Diameter	4 in. Vent Diameter	6 in. Vent Diameter	6 in. Vent Diameter
<ul style="list-style-type: none"> • IP060S (REB-B1800FF-US) • IP090S (REB-B2600FF-US) • IP120S (REB-B3500FF-US) • IP150S (REB-B4400FF-US) 	2	65 ft	150 ft	150 ft	150 ft
	3		65 ft		
	4				
	5				
	6				
	7		70 ft		
	8				

3 in. Common Venting

Direct Vent

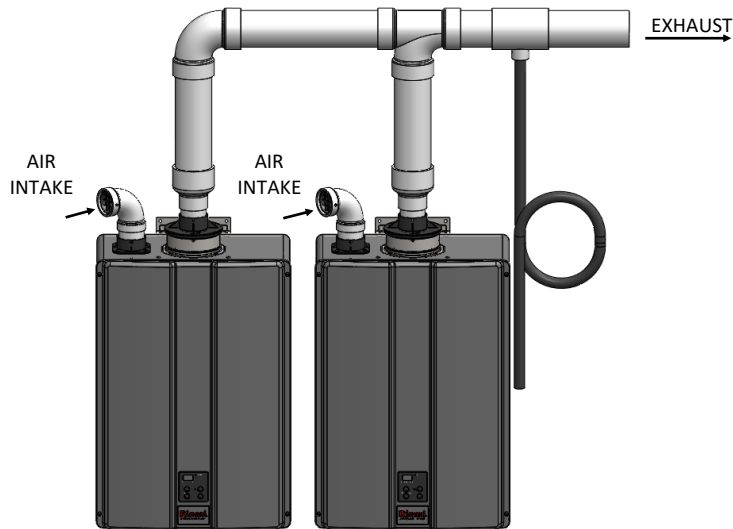
Inline



Room Air

- Refer to the "Combustion Air Requirements" section of this manual for room air requirements.

Inline

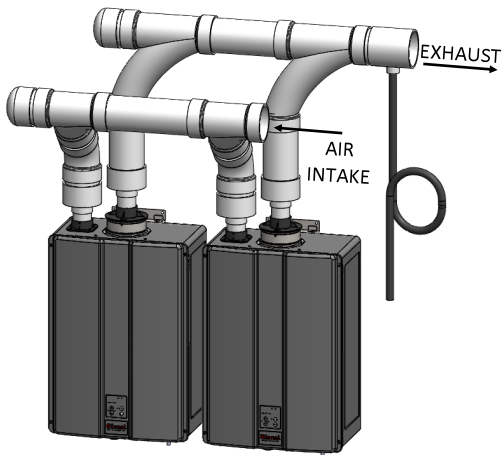


4 in. Common Venting

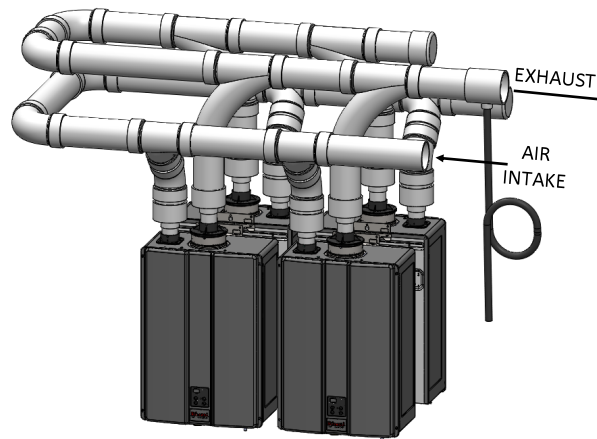
Direct Vent

- Maximum 4 Units

Inline



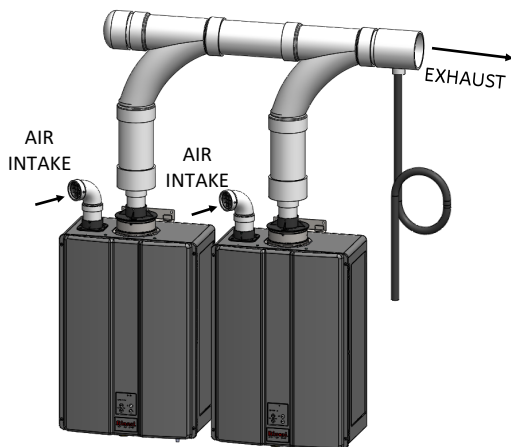
Back-to-Back



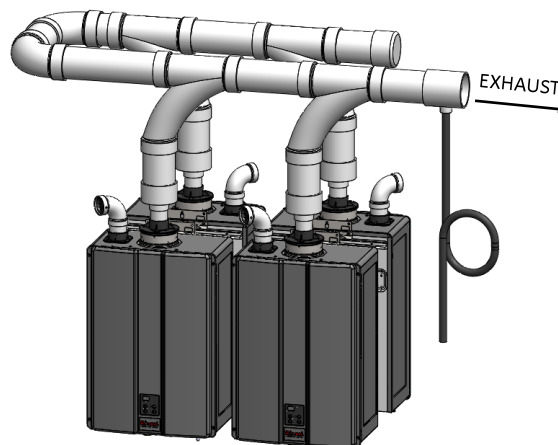
Room Air

- Maximum 4 Units
- Refer to the "Combustion Air Requirements" section of this manual for room air requirements.

Inline



Back-to-Back

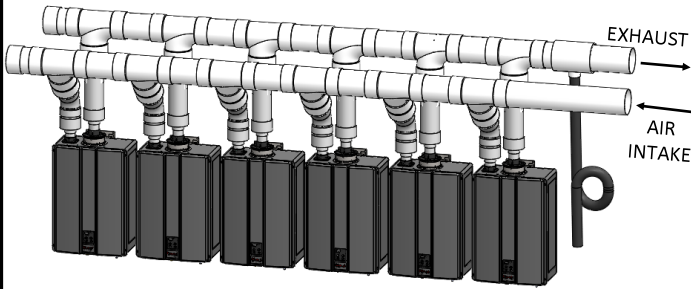


6 in. Common Venting

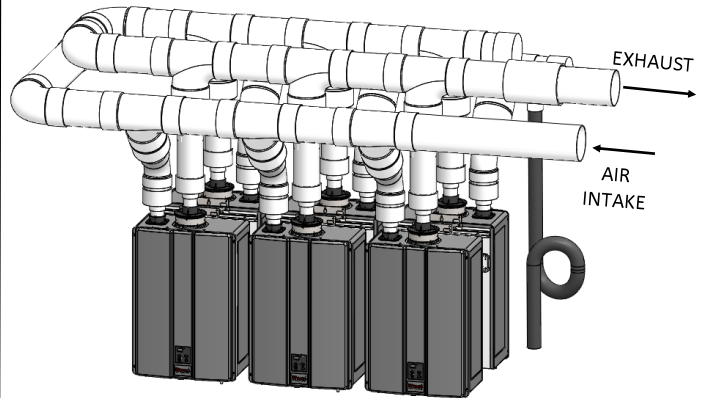
Direct Vent

- Maximum 12 Units

Inline



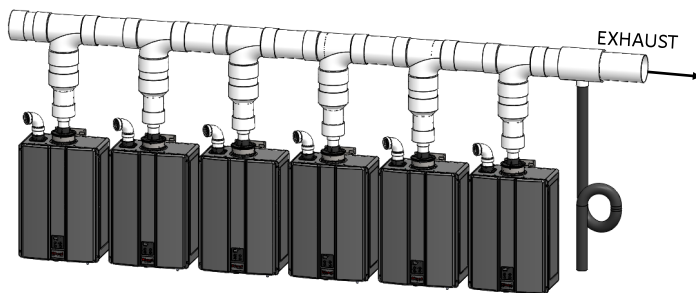
Back-to-Back



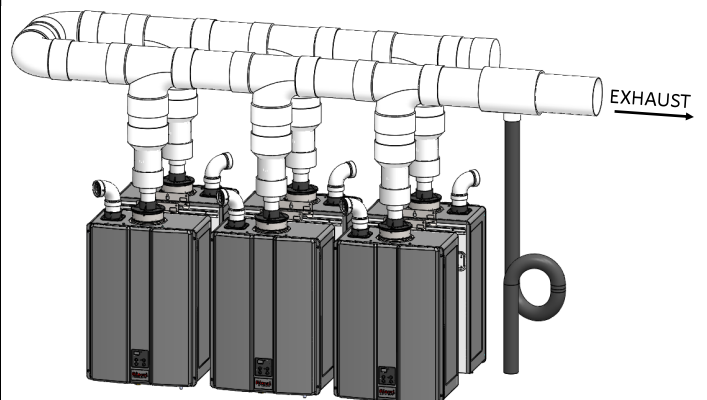
Room Air

- Maximum 12 Units
- Refer to the "Combustion Air Requirements" section of this manual for room air requirements.

Inline


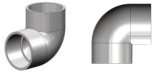
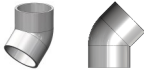


Back-to-Back



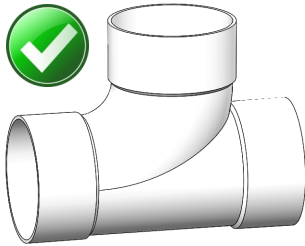
Common Vent Terminations

Various 3 in., 4 in., and 6 in. Schedule 40 PVC/CPVC Terminations:

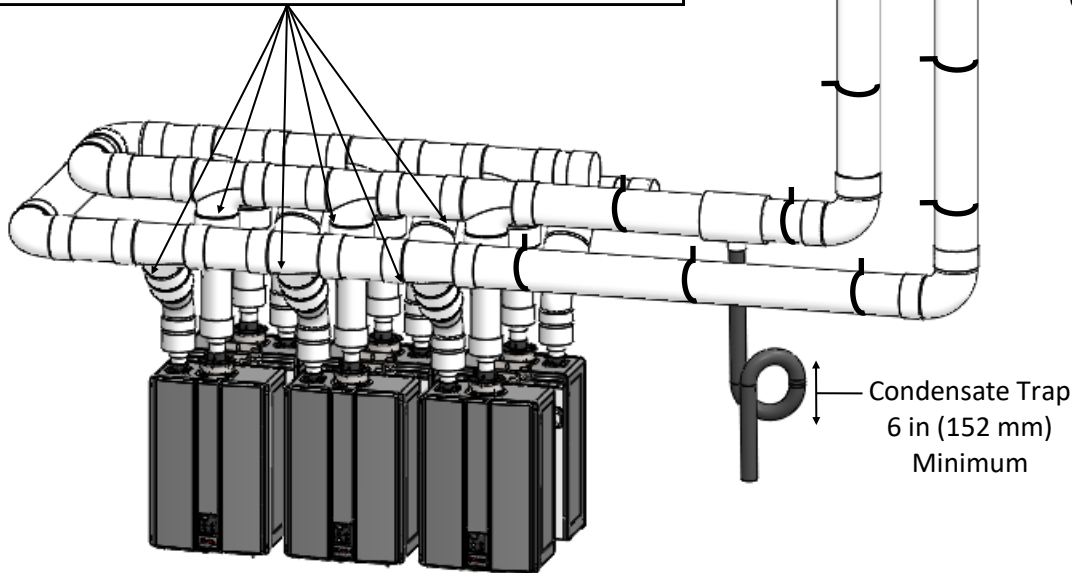
Product Description	Diagram	Horizontal	Vertical	Equivalent Length (ft)
Tee		✓	✓	10
90° Elbow		✓	✓	10
45° Elbow		✓	✓	5

Sample Horizontal Termination Assembly

Support Brackets Required



- Header Tees Should be Schedule 40 Drain Tees.
- Sharp Turn Tee's or Elbows are not recommended due to the increased resistance.



4 ft (1.2m)
Maximum
Between Brackets

Exhaust Termination:
Tee or Elbow

6 ft (1.8m)
Maximum
Between Brackets

Combustion Air
Termination:
Tee or Elbow

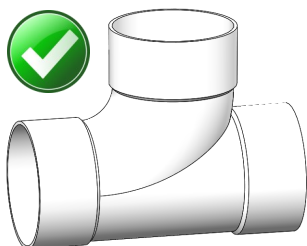
Condensate Trap
6 in (152 mm)
Minimum

NOTE

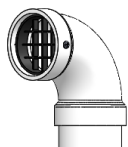
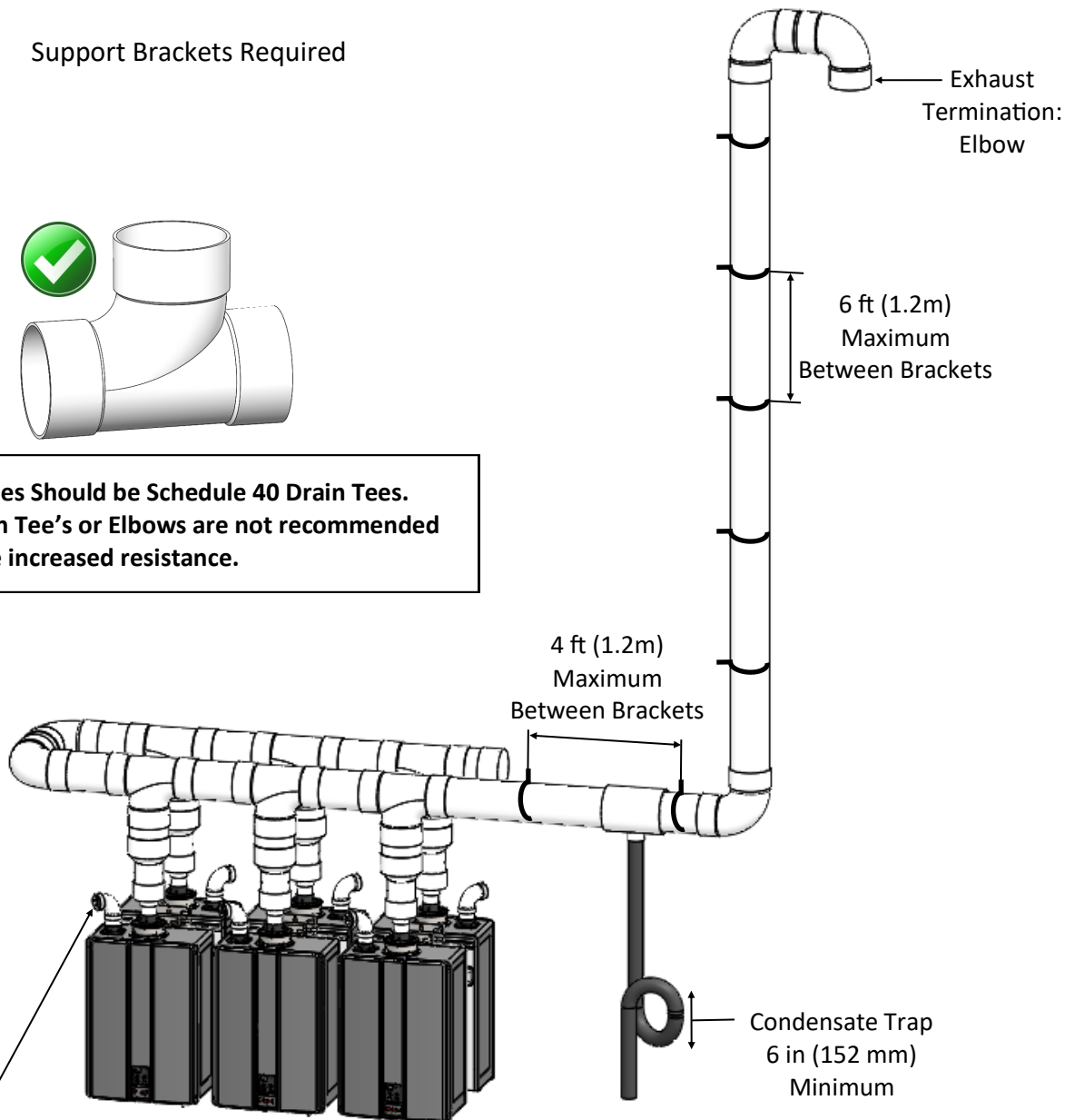
Vent termination per ANSI Z223.1/NFPA 54. For clearances not specified in ANSI Z223.1/NFPA 54, clearances are in accordance with local installation codes and the requirements of the gas supplier.

Sample Vertical Termination Assembly-Room Air

Support Brackets Required



- Header Tees Should be Schedule 40 Drain Tees.
- Sharp Turn Tee's or Elbows are not recommended due to the increased resistance.



Room Air applications should include an elbow and vent screen or room air filter.

NOTE

Vent termination per ANSI Z223.1/NFPA 54. For clearances not specified in ANSI Z223.1/NFPA 54, clearances are in accordance with local installation codes and the requirements of the gas supplier.

Maintenance Clearances

If the vent system is to be enclosed, it is suggested that the design of the enclosure shall permit inspection of the vent system. The design of such an enclosure shall be deemed acceptable by the installer or the local inspector.

Boiler Clearances

Refer to the Rinnai I-Series Plus Condensing Heat-Only Boiler Installation and Operation Manual for minimum clearance requirements around the Boiler.

Vertical Termination Clearances (All System Sizes)

There should be a minimum of 12 in. (305 mm) between exhaust and intake terminations.

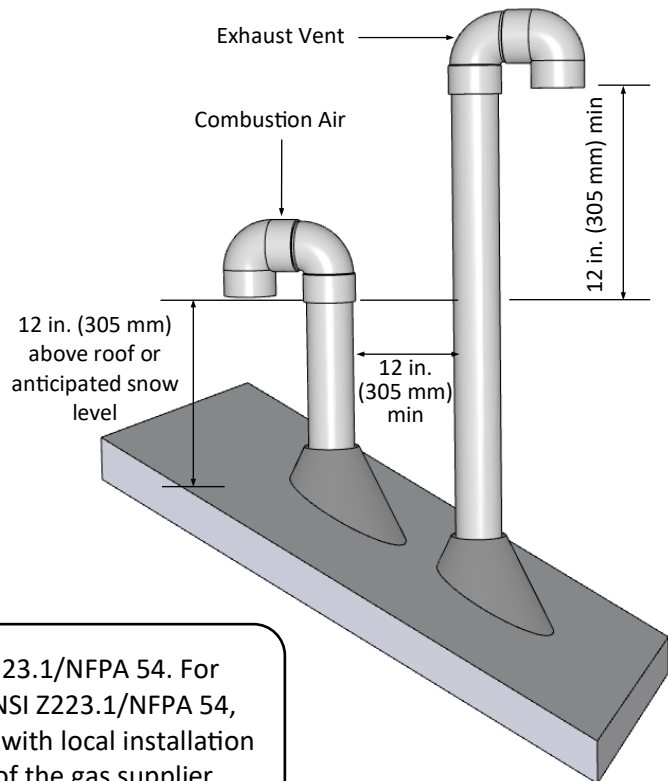
Clearances of Brackets:

All supports, such as wall brackets or spacer blocks, must be installed with a maximum distance of 78 in. (2 m) between each support. Additional supports can be installed before and after an elbow if needed.

Freestanding Components:

Components which are installed freestanding for vertical termination with a length of over 59 in. (1.5 m), must be additionally secured to the building with guys or braces.

Pitched Roof Termination Clearances:



NOTE

Vent termination per ANSI Z223.1/NFPA 54. For clearances not specified in ANSI Z223.1/NFPA 54, clearances are in accordance with local installation codes and the requirements of the gas supplier.

Horizontal Termination Clearances

This appliance, along with the Common Vent System, is certified with the 3 in., 4 in., and 6 in. wall termination mounted in the orientation shown in image to the right.

Vent Size	Separation Distance
3 in., 4 in., 6 in.	12 in. Minimum

The exhaust and combustion air terminations must follow these clearances:

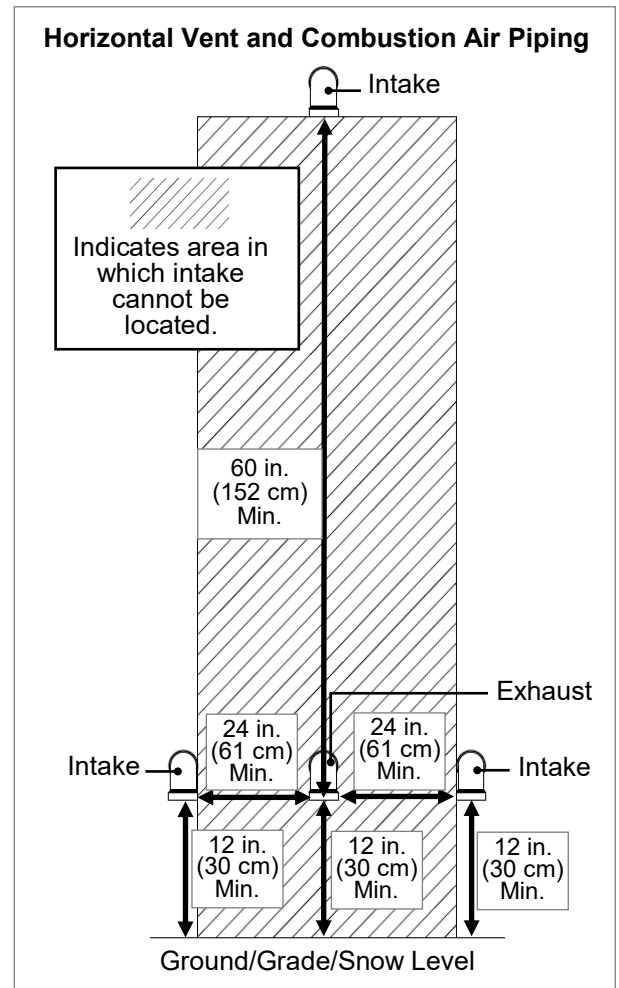
- 12 in. minimum vertically from bottom of combustion air termination to ground or anticipated snow line.
- 12 in. minimum from edge of exhaust termination to edge of combustion air termination.

There should be a minimum of 36 in. (91 cm) between exhaust terminations in multiple common vent installations.

Refer to the Rinnai I-Series Plus Condensing Heat-Only Boiler Installation and Operation Manual for maximum vent lengths based on the vent diameter installed.

NOTE

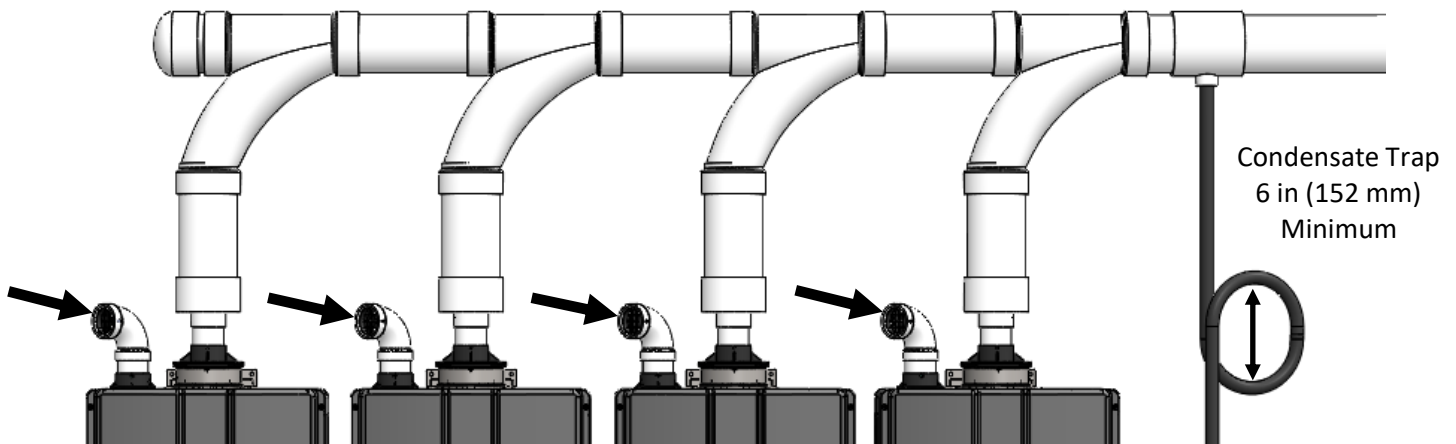
During colder weather when the exhaust temperature is much hotter than the outside air, the exhaust fumes will condense, producing water vapor. As a result, a plume of water vapor may be seen leaving the exhaust.



Horizontal Termination Clearances

Combustion Air Requirements

Common Vent Applications Utilizing Room Air



This rack system requires adequate combustion air for ventilation and dilution of flue gases. Failure to provide adequate combustion air can result in unit failure, fire, explosion, serious bodily injury or death. Use the following methods to ensure adequate combustion air is available for correct and safe operation of this rack system.

Important: Combustion air must be free of corrosive chemicals. Do not provide combustion air from corrosive environments. System failure due to corrosive air is not covered by warranty.

Combustion air must be free of acid forming chemicals such as sulfur, fluorine and chlorine. These chemicals have been found to cause rapid damage and decay and can become toxic when used as combustion air in gas appliances. Such chemicals can be found in, but not limited to bleach, ammonia, cat litter, aerosol sprays, cleaning solvents, varnish, paint, and air fresheners. Do not store these products or similar products in the vicinity of the Boiler system.

Unconfined Space:

An unconfined space is defined in *National Fuel Gas Code, ANSI Z223.1/NFPA 54* as "a space whose volume is not less than 50 cubic feet per 1,000 Btu/hr (4.8 m³ per kW per hour) of the aggregate input rating of all appliances installed in that space. Rooms communicating directly with the space in which the appliances are installed, through openings not furnished with doors, are considered a part of the unconfined space." If the "unconfined space" containing the system is in a building with tight construction, additional outside air may be required for proper operation. Outside air openings should be sized the same as for a confined space.

Confined Space:

(Small Room, Closet, Alcove, Utility Room, Etc.)

A confined space is defined in the *National Fuel Gas Code, ANSI Z223.1/NFPA 54* as "a space whose volume is less than 50 cubic feet per 1,000 Btu/hr (4.8 m³ per kW per hour) of the aggregate input rating of the combined appliances installed in that space." A confined space must have two combustion air openings. Size the combustion air openings based on the BTU input for all gas utilization equipment in the space and the method by which combustion air is supplied.

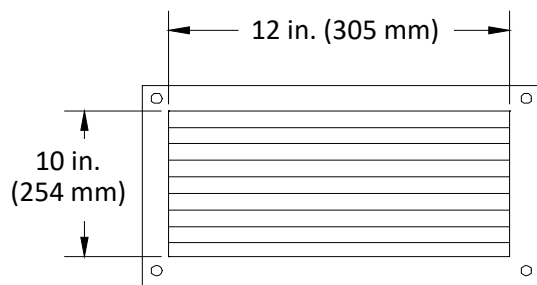
Louvers and Grills

When sizing the permanent opening, consideration must be taken for the design of the louvers or grills to maintain the free area required for all gas utilizing equipment in the space. If the free area of the louver or grill design is not available, assume wood louvers will have 25% free area and metal louvers or grills will have 75% free area. Under no circumstance should the louver, grill or screen have openings smaller than 1/4 in.

Example:

Wood: 10 in x 12 in x 0.25 = 30 in²

Metal: 10 in x 12 in x 0.75 = 90 in²

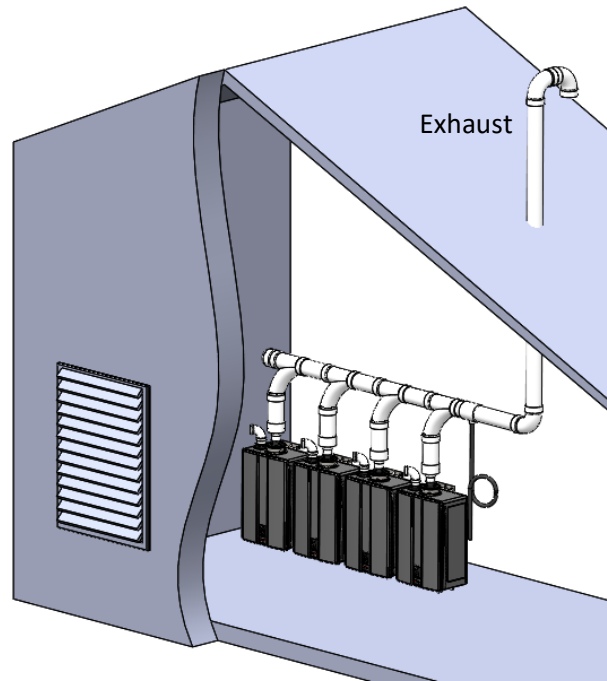


Location

To maintain proper circulation of combustion air, two permanent openings (one upper, one lower) must be positioned in confined spaces. The upper shall be within 12 in. (305 mm) of the top of the confined space and the lower opening shall be within 12 in. (305 mm) of the bottom of the confined space. Openings must be positioned as to never be obstructed.

Using Outdoor Air For Combustion

Outdoor air can be provided to a confined space through two permanent openings, one commencing within 12 in. (305 mm) of the top and one commencing within 12 in. (305 mm) of the bottom of the confined space. The openings shall communicate to the outside by one of two ways.



Be sure to maintain 12 in. (305 mm) above grade or anticipated snow level.

Vent termination per ANSI Z223.1/NFPA 54. For clearances not specified in ANSI Z223.1/NFPA 54, clearances are in accordance with local installation codes and the requirements of the gas supplier.

NOTE

Combustion air provided to the system should not be taken from any area of the structure that may produce a negative pressure (such as exhaust fans or powered ventilation fans).

Using Indoor Air For Combustion

When using air from other room(s) in the building, the total volume of the room(s) must be of adequate volume (greater than 50 cubic feet per 1,000 Btu/hr). Each combustion air opening must have at least one square inch of free area for each 1,000 Btu/hr, but not less than 100 square inches each.

When communicating directly with the outdoors through horizontal ducts, each opening shall have a minimum free area of 1 in²/2,000 Btu/hr (1,100 mm²/kW) of total input rating of all appliances in the confined space.

Note: If ducts are used, the cross sectional area of the duct must be greater than or equal to the required free area of the openings to which they are connected.

When communicating indirectly with the outdoors through vertical ducts, each opening shall have a minimum free area of 1 in²/4,000 Btu/hr (550 mm²/kW) of total input rating of all appliances in the confined space. Combustion air to the appliance can be provided from a well ventilated attic or crawl space.



WARNING

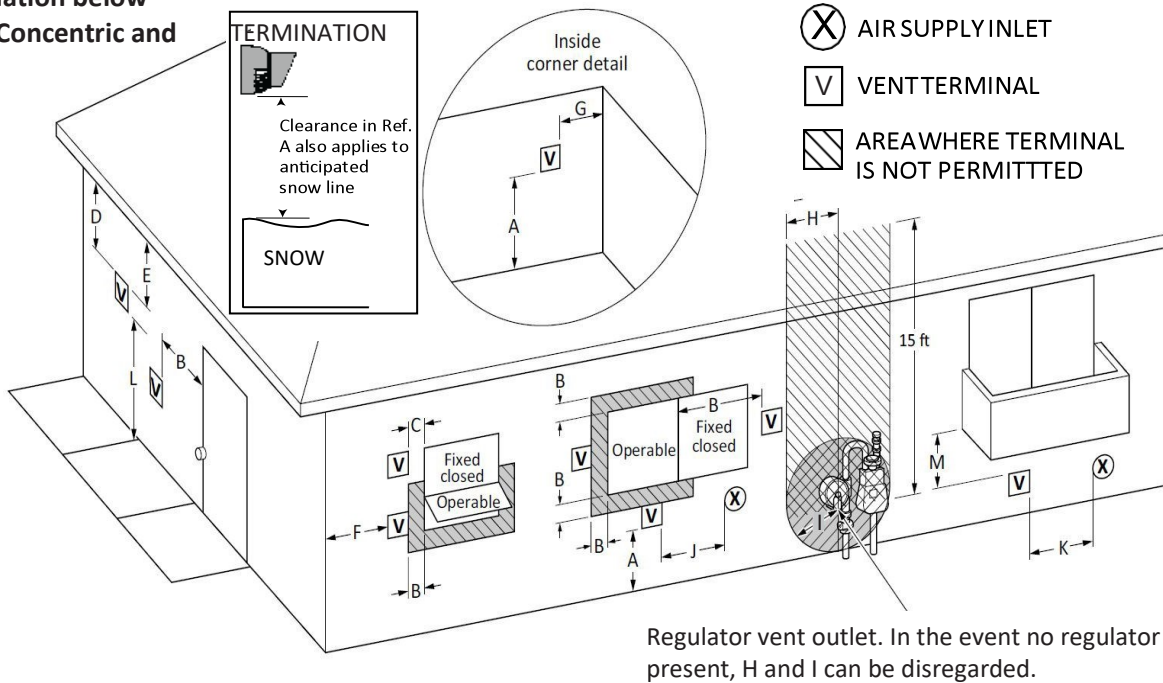
TO PREVENT POSSIBLE PERSONAL INJURY OR DEATH DUE TO ASPHYXIATION, COMMON VENTING WITH OTHER MANUFACTURER'S INDUCED DRAFT APPLIANCES IS NOT ALLOWED.

Checklist for Combustion Air and Venting Requirements

- Verify proper clearances around the vents.
- Ensure that the "Combustion Air Requirements" are followed that will provide sufficient combustion air for the appliance.
- Ensure approved venting components have been used.
- All horizontal exhaust vent runs must be sloped upwards not less than 1/4 in/ft (21 mm/m) from the boiler to the vent terminal.
- Verify that there is adequate combustion air.
- The installation conforms with local codes or, in the absence of local codes, with the *National Fuel Gas Code*, ANSI Z223.1/NFPA 54, and/or the CSA B149.1, *Natural Gas and Propane Installation Code* (Current Editions), local codes, and the manufacturer's instructions.

Exhaust Vent Termination Clearances

The information below applies to Concentric and Twin Pipe.



Ref	Description	Canadian Installations ¹ (CSA B149.1)	U.S. Installations ² (ANSI Z223.1/NFPA 54)
		Direct Vent (Indoor Unit)	Direct Vent (Indoor Unit)
A	Clearance above grade, veranda, porch, deck, or balcony	12 in. (30 cm)	12 in. (30 cm)
B	Clearance to window or door that may be opened	36 in. (91 cm)	12 in. (30 cm)
C	Clearance to permanently closed window	*	*
D	Vertical clearance to ventilated soffit, located above the terminal within a horizontal distance of 2 ft (61 cm) from the center line of the terminal	*	*
E	Clearance to unventilated soffit	*	*
F	Clearance to outside corner	*	*
G	Clearance to inside corner	*	12 in.
H	Clearance to each side of center line extended above meter/regulator assembly	3 ft. (91 cm) within a height of 15 ft. (4.6 m)	*
I	Clearance to service regulator vent outlet	3 ft. 91 cm)	*
J	Clearance to non-mechanical air supply inlet to building or the combustion air inlet to any other appliance	36 in. (91 cm)	12 in. (30 cm)
K	Clearance to a mechanical air supply inlet	6 ft (1.83 m)	3 ft (91 cm) above if within 10 ft (3m) horizontally
L	Clearance above paved sidewalk or paved driveway located on public property	7 ft (2.13 m) ^[1]	Vents for Category II and IV appliances cannot be located above public walkways or other areas where condensate or vapor can cause a nuisance or hazard.
M	Clearance under veranda, porch, deck, or balcony	12 in. (30 cm) ^[2]	*

¹ In accordance with the current CSA B149.1, Natural Gas and Propane Installation Code.

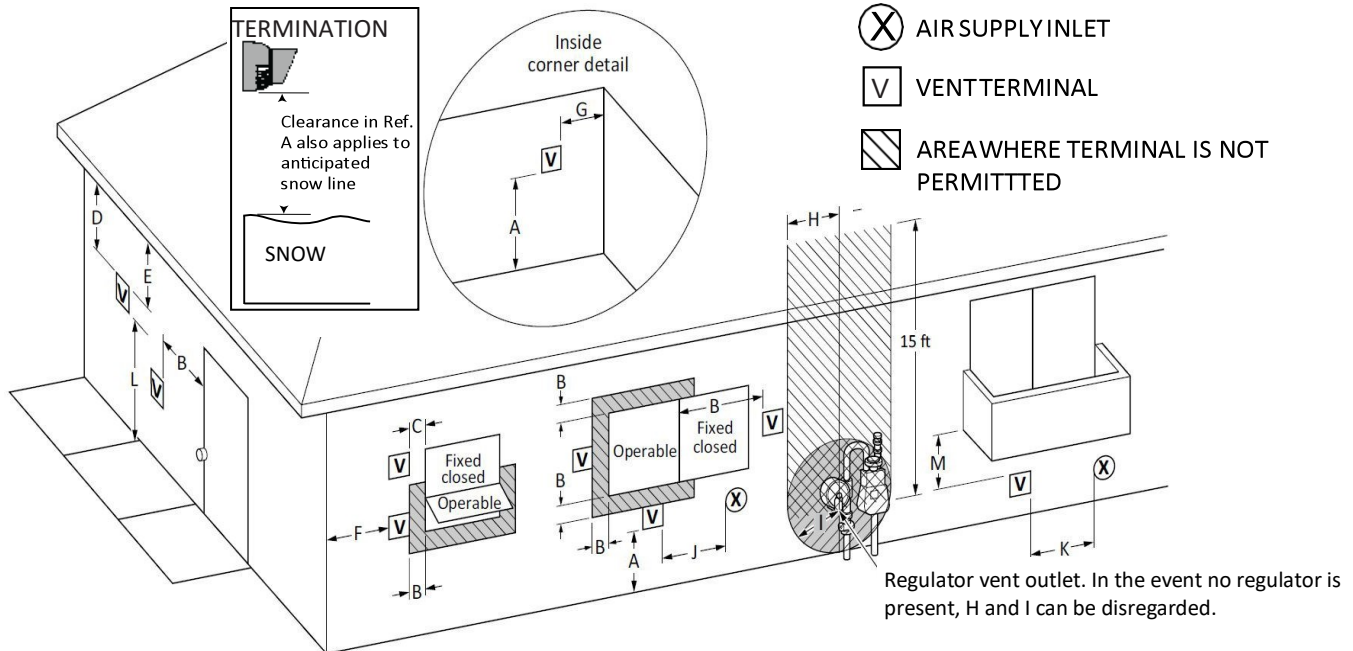
² In accordance with the current ANSI Z223.1/NFPA 54, National Fuel Gas Code.

If locally adopted installation codes specify clearances different than those illustrated, then the most stringent clearance shall prevail.

Clearance to opposite wall is 24 in. (60 cm).	
[1] A vent shall not terminate directly above a sidewalk or paved driveway that is located between two single family dwellings and serves both dwellings.	*Clearances are in accordance with local installation codes and the requirements of the gas supplier. (Dégagement conforme aux codes d'installation locaux et aux exigences du fournisseur de gaz.)
[2] Permitted only if veranda, porch, deck, or balcony is fully open on a minimum of two sides beneath the floor.	

Other than direct vent, when using room air for combustion, you must install terminations to expel exhaust.

Room Air and External Termination Clearances



Ref	Description	Canadian Installations ¹ (CSA B149.1)	U.S. Installtions ² (ANSI Z223.1/NFPA 54)
		Other than direct vent (Outdoor unit and/or Room Air)	Other than direct vent (Outdoor unit and/or Room Air)
A	Clearance above grade, veranda, porch, deck, or balcony	12 in. (30 cm)	12 in. (30 cm)
B	Clearance to window or door that may be opened	36 in. (91 cm)	4 ft (1.2 m) below or to side of opening; 1 ft (300 mm) above opening
C	Clearance to permanently closed window	*	*
D	Vertical clearance to ventilated soffit, located above the terminal within a horizontal distance of 2 ft (61 cm) from the center line of the terminal	*	*
E	Clearance to unventilated soffit	*	*
F	Clearance to outside corner	*	*
G	Clearance to inside corner	*	12 in.
H	Clearance to each side of center line extended above meter/regulator assembly	3 ft. (91 cm) within a height 15 ft. (4.6 m)	*
I	Clearance to service regulator vent outlet	3 ft. (91 cm)	*
J	Clearance to nonmechanical air supply inlet to building or the combustion air inlet to any other appliance	36 in. (91 cm)	4 ft (1.2 m) below or to side of opening; 1 ft (300 mm) above opening
K	Clearance to a mechanical air supply inlet	6 ft (1.83 m)	3 ft (91 cm) above if within 10 ft (3 m) horizontally
L	Clearance above paved sidewalk or paved driveway located on public property	7 ft (2.13 m) [1]	Vents for Category II and IV appliances cannot be located above public walkways or other areas where condensate or vapor can cause a nuisance or hazard.
M	Clearance under veranda, porch, deck, or balcony	12 in. (30 cm) [2]	*

¹ In accordance with the current CSA B149.1, Natural Gas and Propane Installation Code.

² In accordance with the current ANSI Z223.1/NFPA 54, National Fuel Gas Code.

If locally adopted installation codes specify clearances different than those illustrated, then the most stringent clearance shall prevail.

Clearance to opposite wall is 24 in (60 cm).	
[1] A vent shall not terminate directly above a sidewalk or paved driveway that is located between two single family dwellings and serves both dwellings. [2] Permitted only if veranda, porch, deck, or balcony is fully open on a minimum of two sides beneath the floor.	*Clearances are in accordance with local installation codes and the requirements of the gas supplier. (<i>Dégagement conforme aux codes d'installation locaux et aux exigences du fournisseur de gaz.</i>)

Additional Clearances

Check on whether local codes supersede the clearances below.

- Avoid termination locations near a dryer vent.
- Avoid termination locations near commercial cooking exhaust.
- You must install a vent termination at least 12 in. (305 mm) above grade or anticipated snow level.

The vent for this appliance shall not terminate

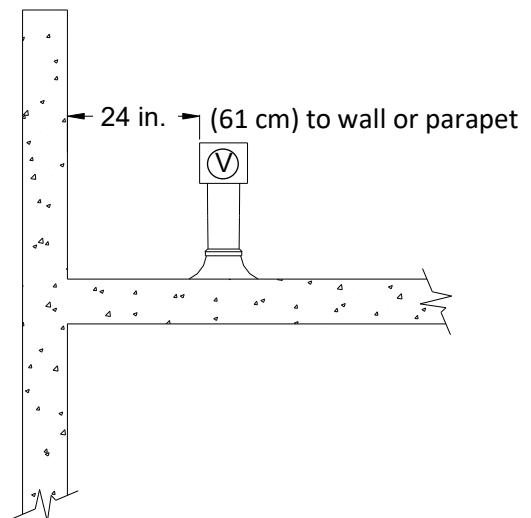
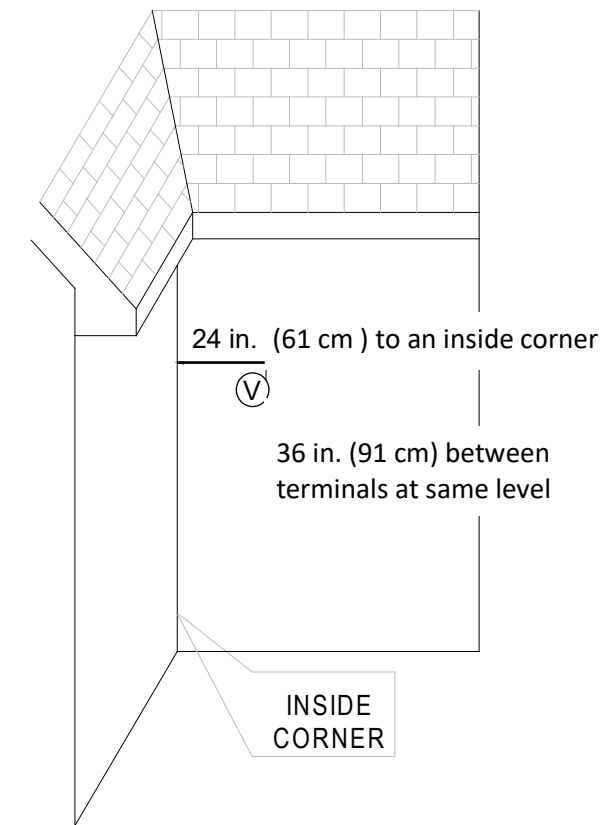
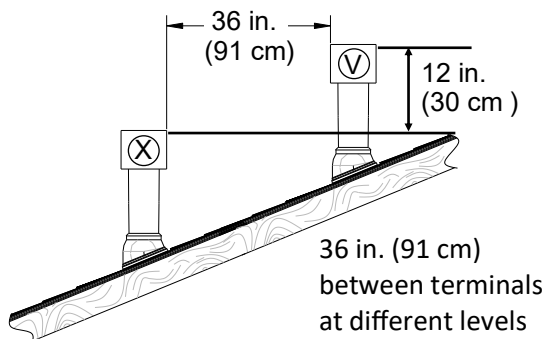
- Over public walkways.
- Near soffit vents or crawl space vents or other areas where condensate or vapor could create a nuisance or hazard or cause property damage.
- Where condensate or vapor could cause damage or could be detrimental to the operation of regulators, relief valves, or other equipment.

Important considerations for locating vent termination under a soffit (ventilated or unventilated or eave vent; or to a deck or porch)

- Do not install vent termination under a soffit vent where exhaust can enter the soffit vent.
- Install vent termination so that exhaust and rising moisture will not collect under eaves. Discoloration to the exterior of the building could occur if installed too close.
- Do not install the vent termination too close under the soffit where it could present recirculation of exhaust gases back into the combustion air intake part of the termination.

(V) Represents the exhaust vent of the common venting.

(X) Represents the combustion air vent of the common venting.



Condensate Trap and Drain Pipe Installation Instructions

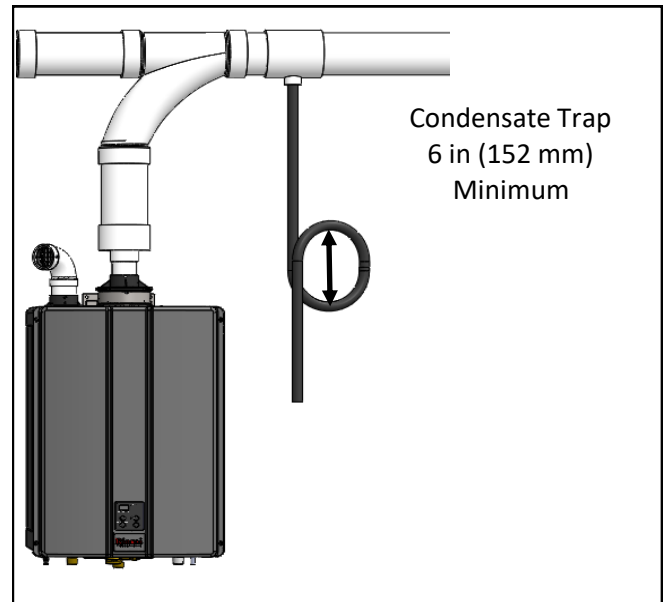
Install the Condensate Trap and Drain Pipe

Condensate must be drained to prevent malfunction, diagnostic code failures, or property damage. Condensate should be disposed according to local codes. Refer to the National Fuel Gas Code, ANSI Z223.1/NFPA 54, or the Natural Gas and Propane Installation Code, CSA B149.1 condensate disposal.

A condensate pump must be used if the condensate outlet is lower than the public sewage system.

Rinnai recommends installing a condensate neutralizer which allows condensate to flow through neutralizing media to raise the pH of the condensate to a level that will help prevent corrosion of the drain and public sewer system.

Ensure that the condensate drain does not freeze.



Final Checklist

- Reference the Rinnai I-Series Plus Condensing Heat-Only Boiler Installation and Operation Manual for proper installation of the Rinnai I-Series Plus Condensing Heat-Only Boilers.
- Clearances from the Boiler unit are met.
- Clearances from the exhaust termination(s) and the combustion air termination(s) are met.
- Ensure you have used the correct venting products and that you have completely followed the venting manufacturer's installation instructions and these installation instructions.
- Verify that the vent system does not exceed the maximum equivalent length allowed.
- Explain to the customer the importance of not blocking the vent termination or air intake.
- Explain to the customer the operation of the boiler, safety guidelines, maintenance, and warranty.
- The installation conforms with local codes or, in the absence of local codes, with the *National Fuel Gas Code*, ANSI Z223.1/NFPA 54, and/or the CSA B149.1, *Natural Gas and Propane Installation Code* (Current Editions), local codes, and the manufacturer's instructions.
- Inform the consumer if the isolation valves are not installed or if a water softening system is not installed.
- Verify that the boilers installed match the model numbers described in the manual.
- Verify that the appropriate amount of combustion air has been provided.
- Verify the parameter setting has been adjusted for the altitude/elevation of the installation location.
- Leave this manual taped to one of the boilers or give the entire manual directly to the consumer.