

# Installation Guide

## Kitchen Sinks

L20513-00-PDS, L20515-00-PDS,  
L20857-00-PDS

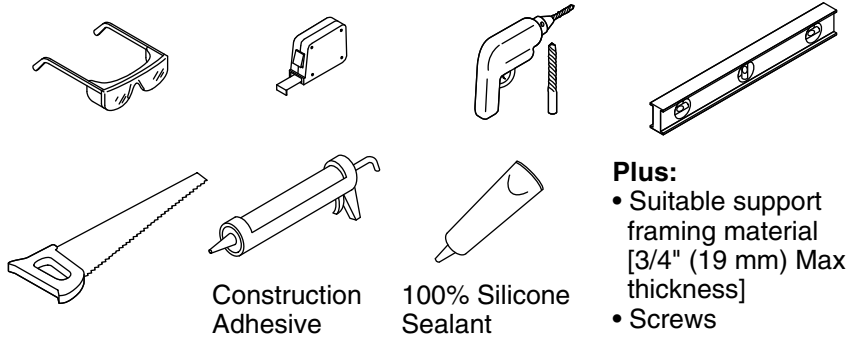
KALLISTA.

1369514-2-A

## Thank You For Choosing Kallista

We appreciate your commitment to KALLISTA quality products. Please take a moment to review this manual before you install your KALLISTA product. If you encounter any installation or performance problems, please do not hesitate to contact us at the phone number listed on the back cover.

## Tools and Materials



- Plus:**
- Suitable support framing material [3/4" (19 mm) Max thickness]
  - Screws

## Before You Begin



**CAUTION: Risk of personal injury.** Use gloves and handle sink edges carefully. Metal surfaces are sharp and can cause severe cuts.

**IMPORTANT!** Before beginning this installation, refer to the "Roughing-In" section for cabinet dimensional requirements.

**IMPORTANT!** This sink must be installed prior to the installation of the countertop. Cut-line is based from the front face of the cabinet.

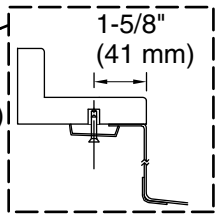
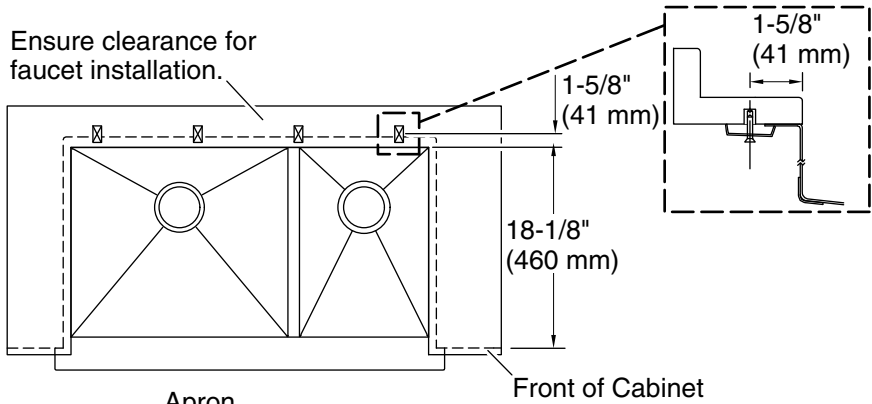
**IMPORTANT!** Long screws may damage adjacent cabinets. Ensure the screws are long enough to secure the support framing, but short enough not to extend through the inner walls of adjacent cabinets.

- Due to the nature of undercounter installations, Kallista recommends that undercounter sink installations be performed by trained and experienced installers.
- Read these instructions carefully before you begin the installation.
- Observe all local codes.
- Shut off the water supplies.

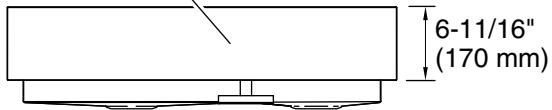
### Before You Begin (cont.)

- The appearance of your product may differ from what is shown in these instructions, however, the installation procedure is the same.
- Use proper fasteners and techniques to ensure that the frame will support a minimum of 300 lbs (136 kg). Locate the fasteners for easy access in the event the sink needs to be removed.
- Plan the sink installation so future removal from underneath the countertop is possible without damaging the countertop. **Do not use adhesive sealants.**
- **For L20513-00-PDS Only:** This sink is intended for installation into a standard 24" (610 mm) base cabinet.
- **For L20515-00-PDS Only:** This sink is intended for installation into a standard 30" (762 mm) base cabinet.
- **For L20857-00-PDS Only:** This sink is intended for installation into a standard 36" (914 mm) base cabinet.
- To ensure proper fit of the sink in the cabinet, we suggest you provide the cabinetmaker with the actual sink that will be installed.
- Prior to installation, unpack the new sink and inspect it for damage. Return the sink to its protective carton until you are ready to install it.
- Inspect the drain and supply tubing. Replace if necessary.
- If possible, assemble the faucet and strainer to the sink before installing the sink.
- Anchors and fasteners to be provided and installed by the countertop manufacturer.
- All information in these instructions is based on the latest product information available at the time of publication. KALLISTA reserves the right to make revisions in the design of products without notice, as specified in the Price Book.

Ensure clearance for faucet installation.

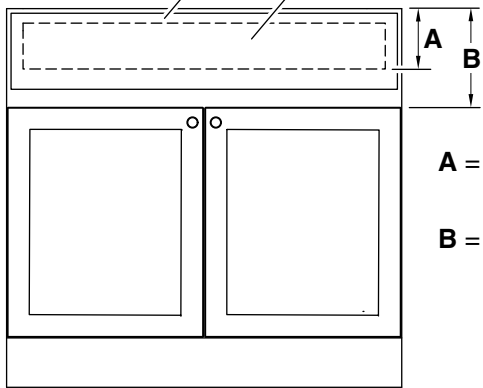


Apron



False Drawer Front

Drawer Opening



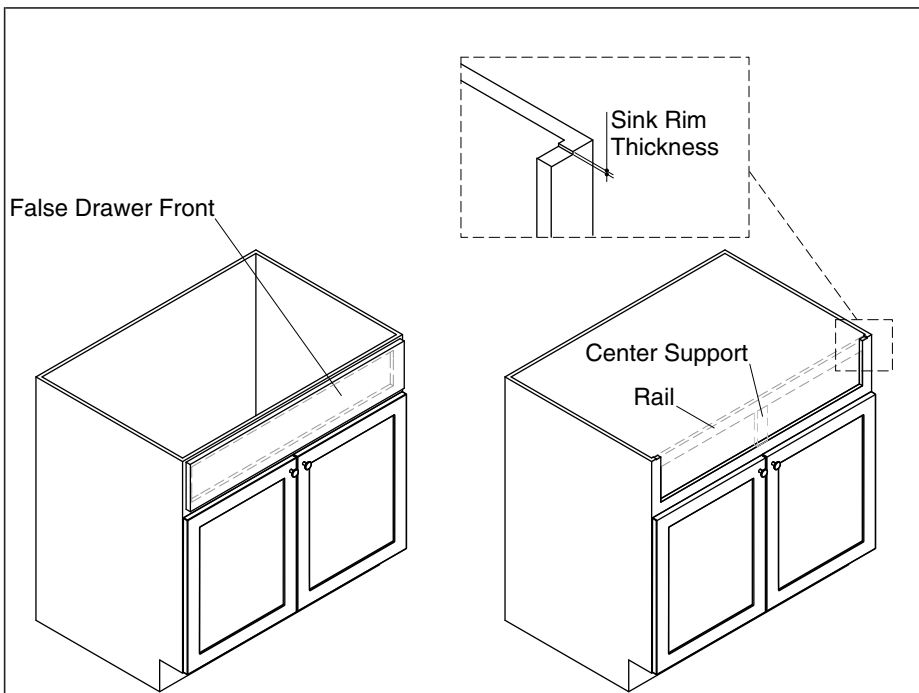
**A** = Top of Cabinet to Bottom of Drawer Opening

**B** = Top of Cabinet to Top of Doors

**IMPORTANT!** Before installing this sink, verify that:

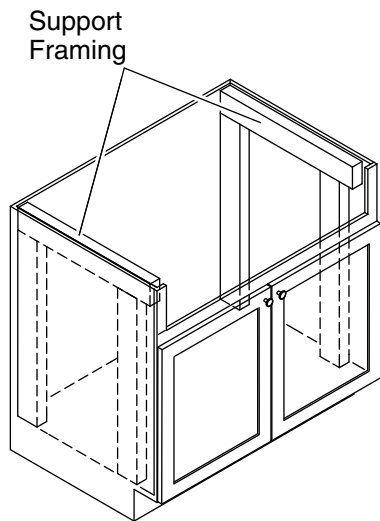
- The opening height (A) is less than the apron height.
- The distance to the top of the doors (B) is greater than the apron height.

## Roughing-In



## 1. Preparation

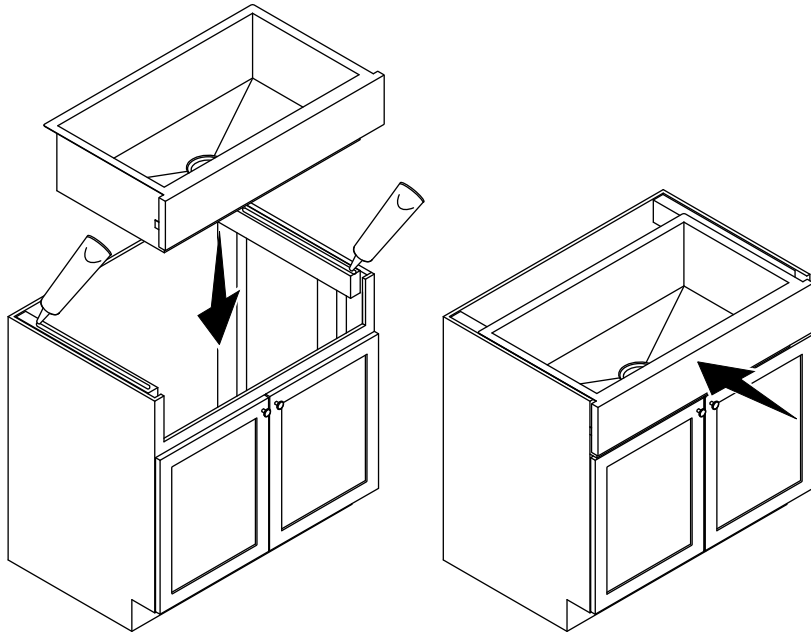
- Remove the false drawer front from your cabinet.
- Carefully cut away the top rail and center support.
- Notch the cabinet as shown, so the top of the sink is flush with the top of the cabinet when installed.



## 2. Install Wood Supports

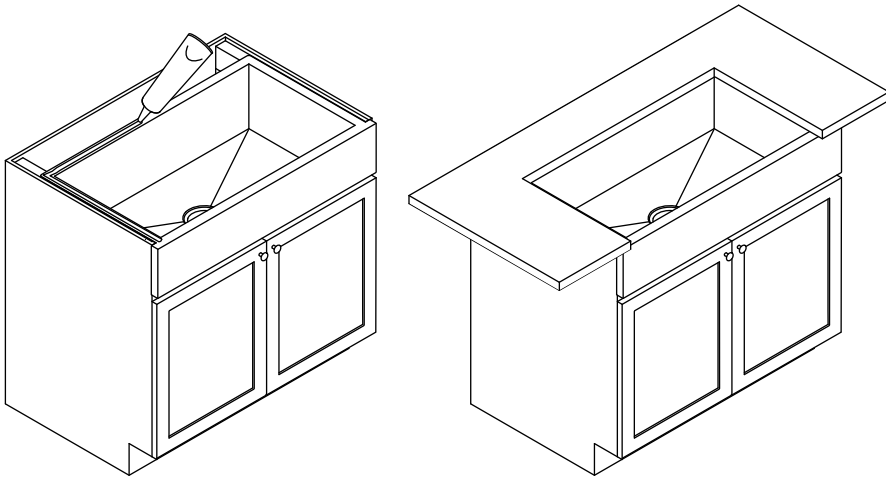
**NOTICE:** For proper countertop installation, the top of the sink must not extend above the top edge of the cabinet.

- Cut two lengths of support framing to extend along the inside walls on each side of the base cabinet.
- Measure and mark the support mounting locations, ensuring the sink rim will sit at, or slightly below the top edge of the cabinet.
- Position and level the supports.
- Secure the supports with construction adhesive and screws (not provided).
- Cut four lengths of support framing to extend from the bottom of the installed supports to the floor of the cabinet.
- Secure the vertical supports with construction adhesive and screws (not provided).



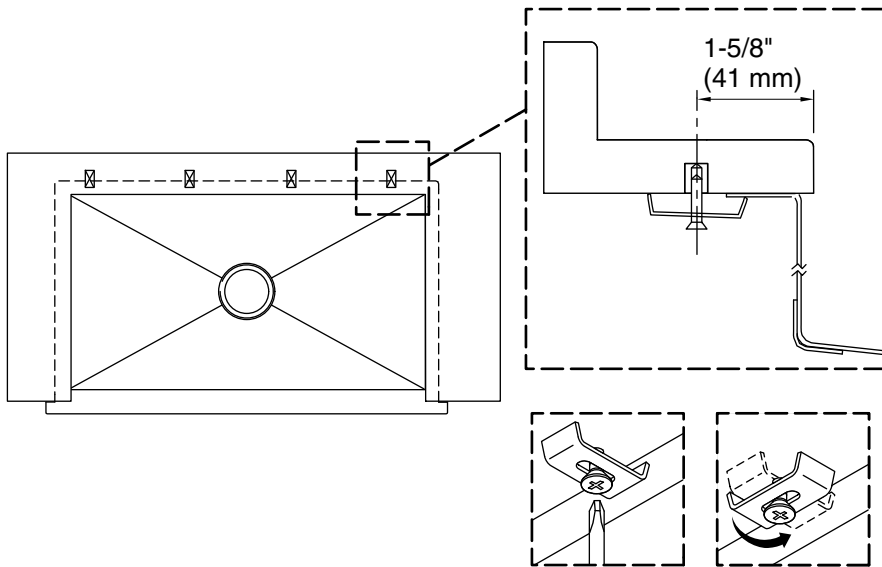
### 3. Install the Sink

- Lower the sink into the cabinet. Verify the sink is supported by the frame.
- Verify the sink is level, and make any adjustments and shim as needed.
- Remove the sink.
- Apply a bead of 100% silicone sealant to the top of each support.
- Lower the sink onto the supports and push in to ensure the apron is flush to the front of the cabinet.



#### 4. Install the Countertop

- Apply a bead of 100% silicone sealant around the side and back of the sink.
- Install the countertop.
- Apply a thin bead of 100% silicone sealant where the sink meets the countertop and cabinet.

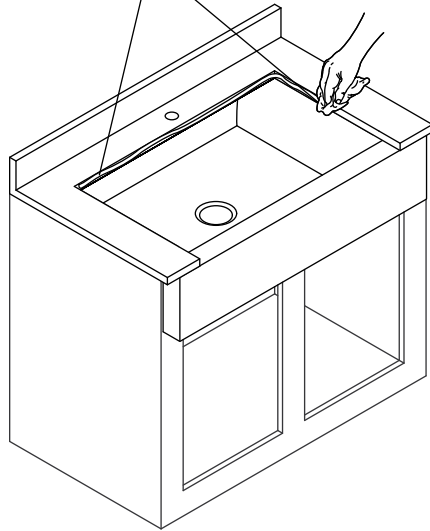


## 5. Secure the Sink

**NOTE:** Anchors are pre-installed by the countertop manufacturer.

- Install the clips to the countertop and ensure each clip engages the rim. Tighten evenly.
- Wipe away any excess sealant.

*Apply 100%  
silicone sealant.*



## **6. Complete the Installation**

- Apply 100% silicone sealant where the sink meets the countertop. Immediately wipe away any excess.
- Install the faucet and strainers according to the installation instructions.
- Connect the trapway to the strainers.

1369514-2-A

USA/Canada: 1-888-4-KALLISTA

Fax: 1-888-272-3094

[kallista.com](http://kallista.com)

**KALLISTA**

©2018 KALLISTA

1369514-2-A