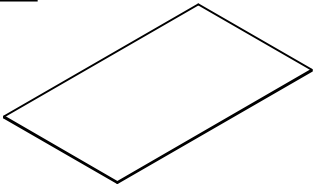
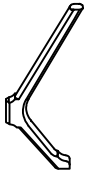
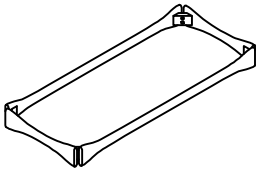

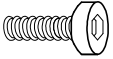



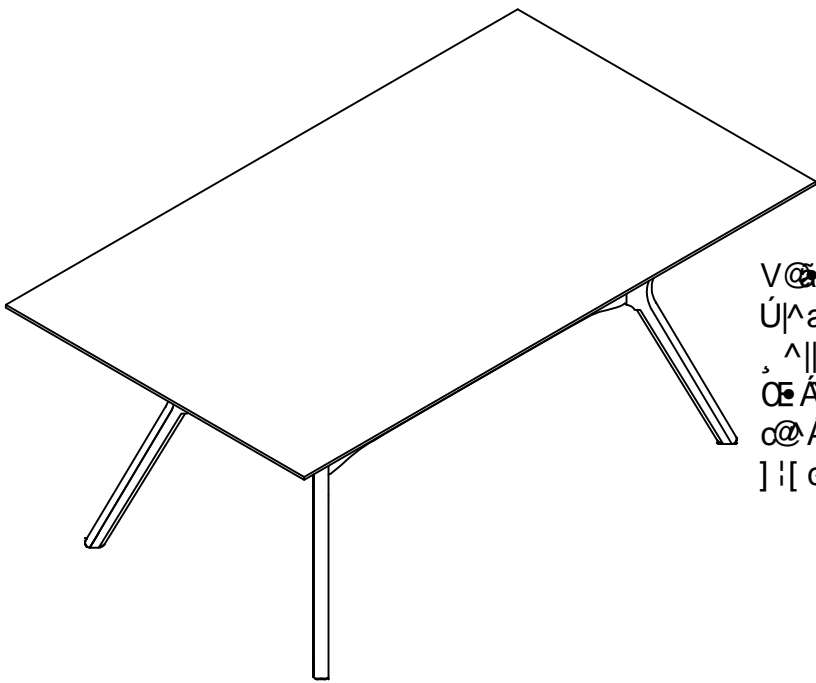


# ASSEMBLY INSTRUCTION

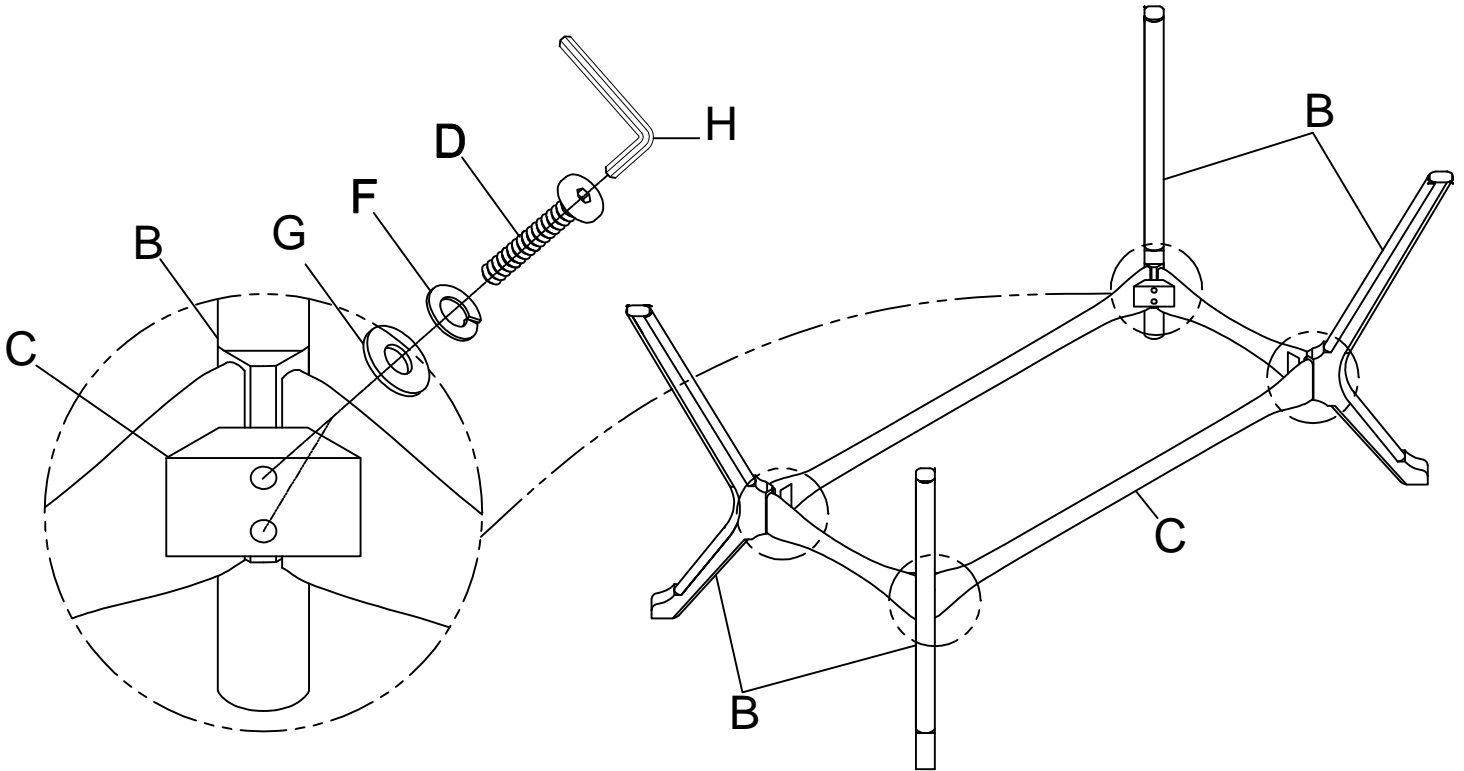
ÁÜÒÙVŠÒÁ/ÓŠÒ

<p><b>A</b> Væà Á[ ]</p>  <p>FÁ &amp;</p>	<p><b>B</b> Š^*</p>  <p>l Á &amp;</p>	<p><b>C</b> Š^* ÁØæ ^</p>  <p>FÁ &amp;</p>	<p><b>D</b> Ø  ^) ÁÓ[  c &lt; l ÞÍ Áçl € {</p>  <p>l Á &amp;</p>
<p><b>E</b> Ø  ^) ÁÓ[  c &lt; l ÞÍ Áçl € {</p>  <p>l Á &amp;</p>	<p><b>F</b> Š &amp; Á æ @!&lt;br&gt;&lt; l ÞÍ ÁçFF{ {</p>  <p>FGÁ &amp;</p>	<p><b>G</b> ØæÁ æ @!&lt;br&gt;&lt; l ÞÍ ÁçFJçFÈ{ {</p>  <p>FGÁ &amp;</p>	<p><b>H</b> Ø  ^) ÁÓ^ ^&lt;br&gt;l { {</p>  <p>FÁ &amp;</p>

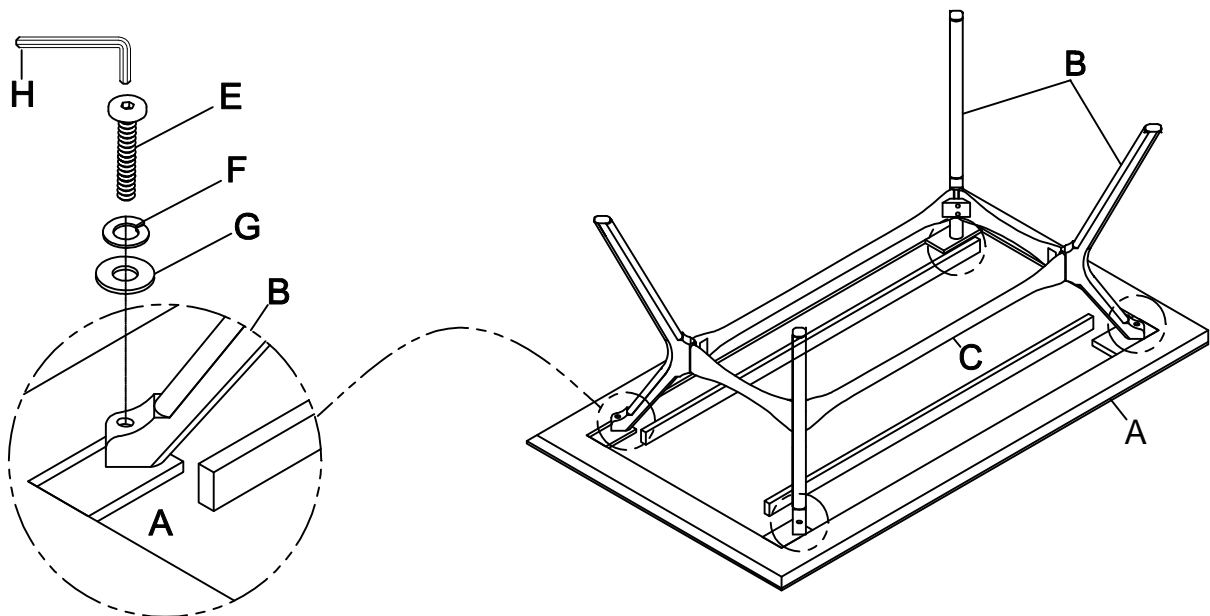


VØ Á æ ^ Áç Ø Áç| Áç| } ç } Ø Áç &| á á Áç Áç| ç È  
 Ú| æ ^ Áç Áç| Áç| ^ Áç| Áç| ç Áç| Áç| ç æ ^ Áç  
 , ^| Áç Áç| Áç| áç| ç| } [ ] ^) Ø Áç| Áç| | á & È  
 Ø Áç| Áç| } æ| Áç| áç| ^) æ ^ Áç| Áç| • ^) à| È| æ  
 ç| Áç| } ç } Ø Áç| Áç| } ^ ç áç| Áç| æ á á Áç| Áç|  
 ] | | ç &| ç| Áç| { Áç| æ ^ È

- 1** Attached four Legs(B) to the Leg Frame(C). Use Bolt(D) Lock Washer(F) and Flat Washer(G) on holes of Leg Frame(C). Turn the Allen Key(H) in Allen Bolt(D).



- 2** Attached Leg Frame(C) to the Table Top(A). Use Allen Bolt(E) Lock Washer(F) and Flat Washer(G) on holes of Table Top(A). Turn the Allen Key(H) in Allen Bolt(E).



### Cleaning & Care

Treat surface with care. Surface is resistant to scratches but is not scratch resistant. Clean surfaces with a dry or damp soft cloth. Do not use abrasive cleaners. Hardware may loosen over time. Periodically check that all connections are tight.