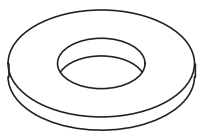
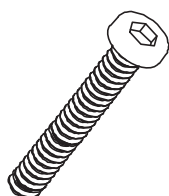


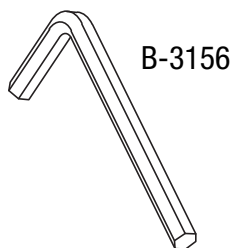
PARTS



A X 8



B X 8

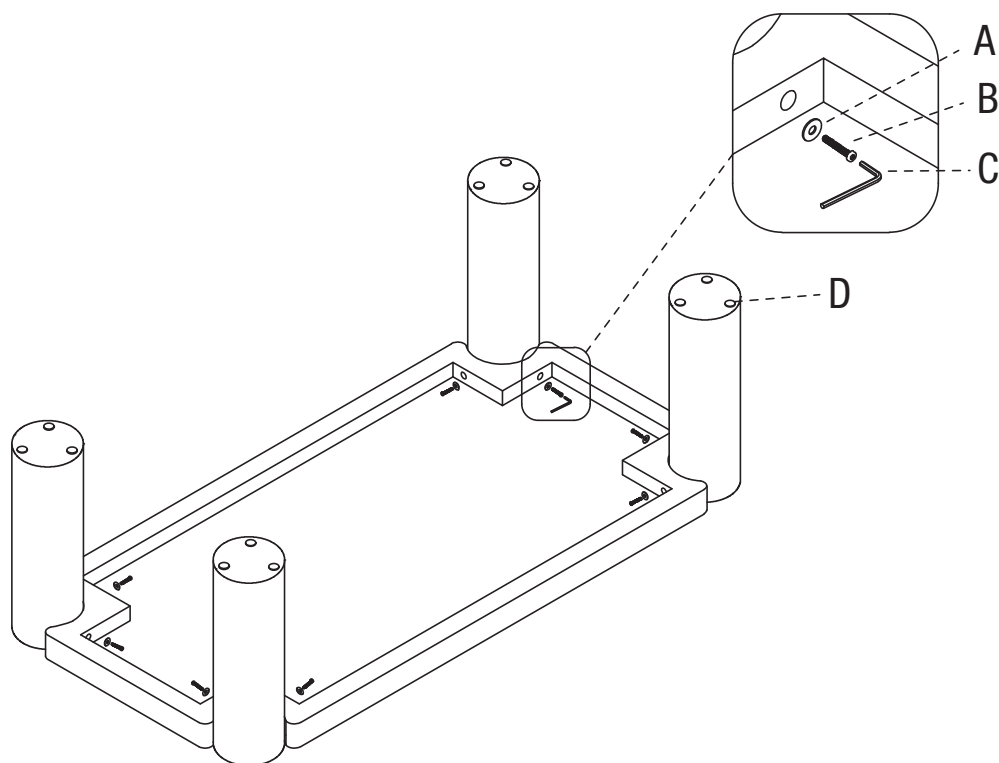


C X 1



D X 12

STEP 1



FINAL

