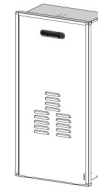


For Use With Rinnai Tankless Water Heater Models:

RU199e, RU180e, RU160e, RU130e,
RUR199e, RUR160e, RSC199e,
RSC160e, CU199e, CU160e



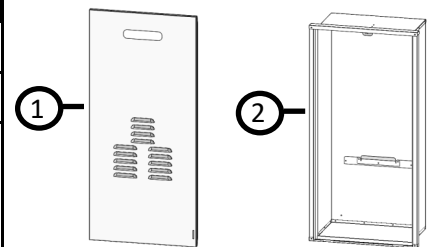
Recess Box Part Number:

RGB-CTWH-4

ITEMS INSIDE PRODUCT BOX

Before installation, please make sure all parts are located inside the product box. If any items are missing or damaged, contact your local dealer/distributor or call Rinnai Customer Care at 1-800-621-9419.

Item #	Item	Qty
1	Recess Box Door	1
2	Recess Box	1
3	Hardware Kit (<i>not pictured</i>) (Part #: 103000101). Contents include: Mounting Bracket, Mounting Screws (Qty 2), Lock Nuts (Qty 2), Washers (Qty 2), Locking Bracket, and Installation Instructions (this document)	1



TOOLS/MATERIALS REQUIRED

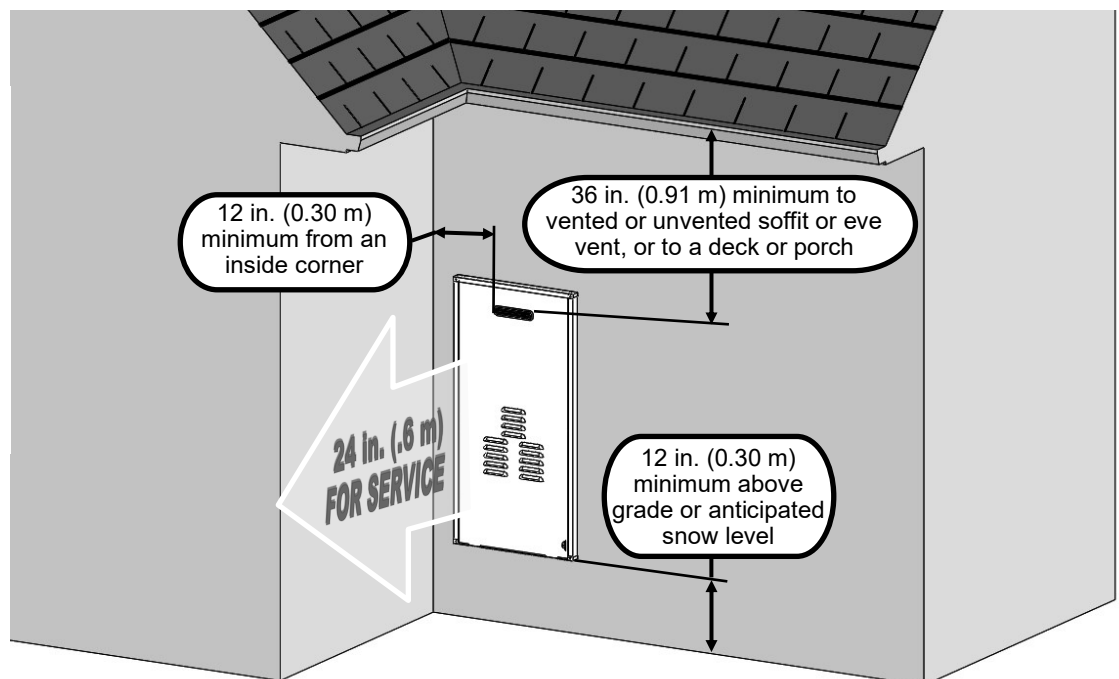
- Philips head screwdriver (for hardware assembly)
- Silicon Sealant (to seal seams and access holes)
- Drill (for cutting service connection holes)

INSTRUCTIONS

Step 1: Select Installation Location

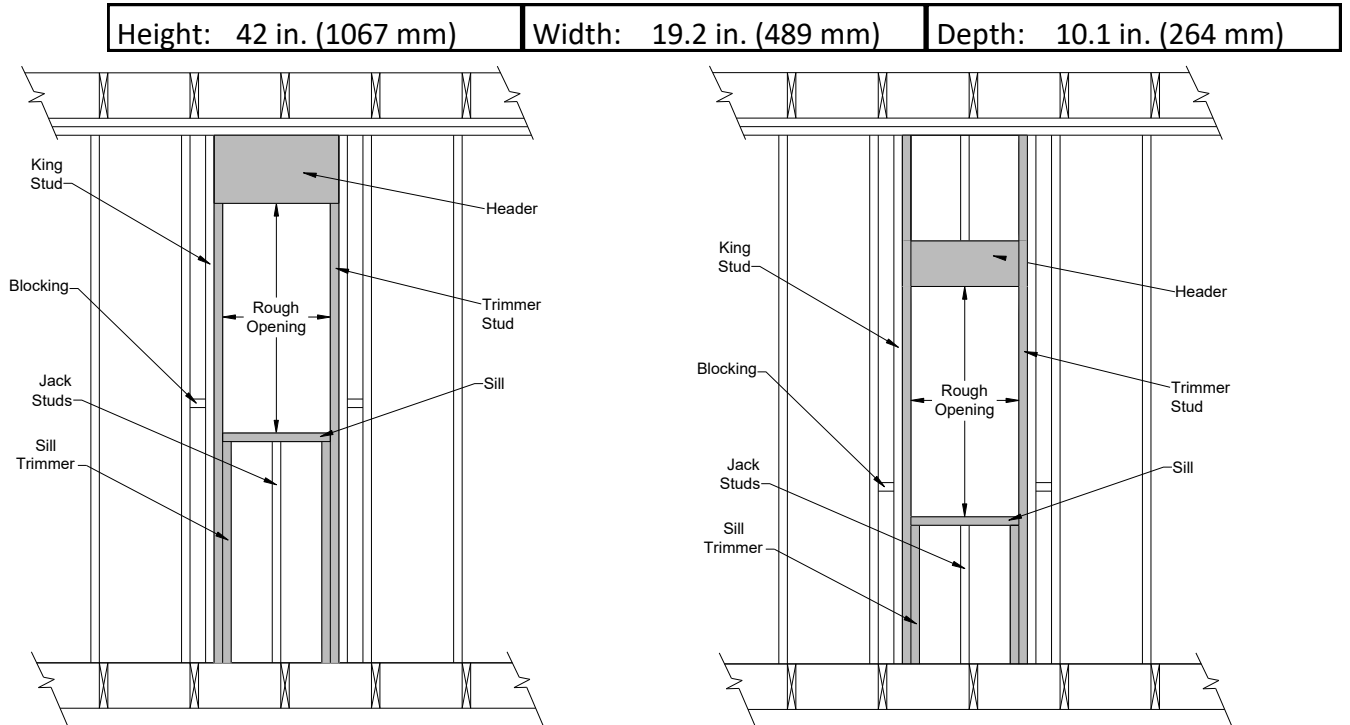
Select a suitable installation location. Refer to the clearances specified below and the Rinnai Tankless Water Heater Installation and Operation Manual for specific termination locations and considerations.

NOTE: The installation must conform with local codes or, in the absence of local codes, with the *National Fuel Gas Code, ANSI Z223.1/NFPA 54*, or the *Natural Gas and Propane Installation Code, CSA B149.1*.



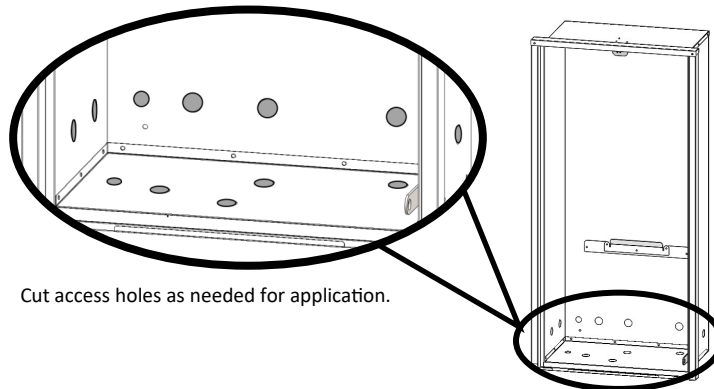
Step 2: Prepare Rough Opening

Use the following examples to prepare a rough opening between studs that will accept the recess box.



Step 3: Cut Access Holes

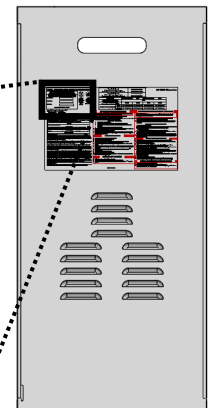
Cut access holes in the recess box for all service connections (gas, cold water inlet, hot water outlet, pressure relief valve and electric). Refer to the Rinnai Tankless Water Heater Installation and Operation Manual for specific service connection locations.



Step 4: Complete Label Information

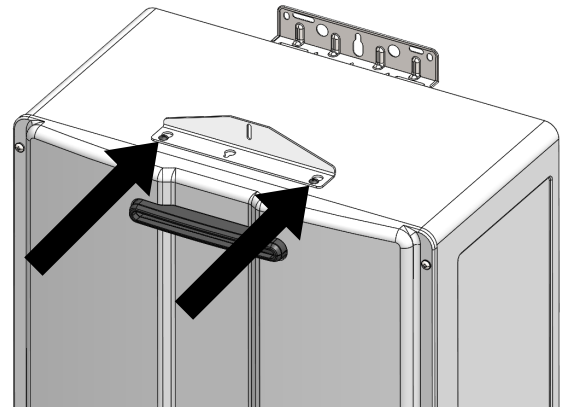
With permanent pen, complete the information located on the inside front. This information may be needed in the future by inspectors and owners.

Direct-Vent Automatic Instantaneous Water Heater <i>Chauffe-eau instantané automatique à ventilation directe</i>	
FOR INSTALLATION IN A MANUFACTURED HOME (MOBILE HOME). <i>POUR INSTALLATION DANS UNE MAISON PRÉFABRIQUÉE (MOBILE).</i>	
TYPE OF GAS:	<input type="text"/>
MODEL NO.:	<input type="text"/>
SERIAL NO.:	<input type="text"/>
ANSI Z21.10.3-2015 / CSA 4.3-2015	



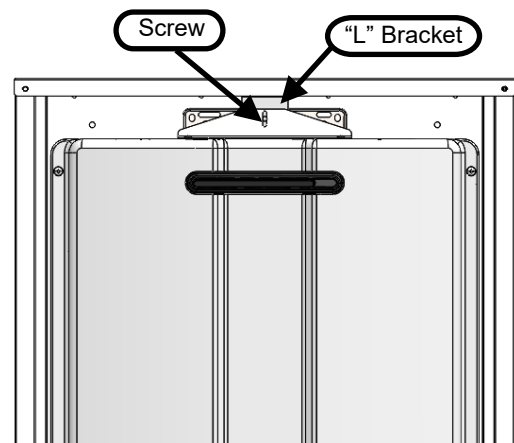
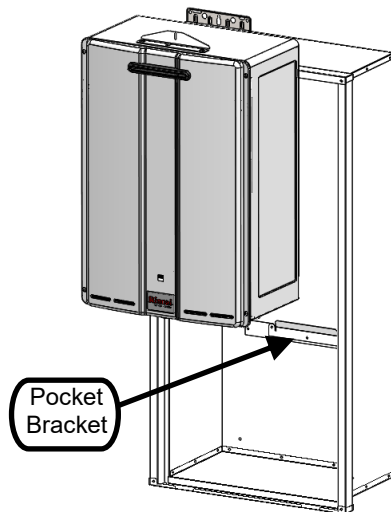
Step 5: Hanging Bracket Installation

Loosen the two screws at the top of the water heater. Assemble the hanging bracket to the top of the water heater. Tighten the two screws at the top of the water heater to secure the hanging bracket in place.



Step 6: Position Water Heater into Recess Box

- Lift the water heater into the recess box and position the lower water heater bracket into the pocket bracket on the back side of the recess box.
- Tilt the water heater back until the water heater bracket matches up with the "L" bracket at the top of the recess box.
- Secure the assembly to the "L" Bracket with screw provided.



Step 7: Seal Assembly

IMPORTANT: You MUST use silicone sealant to seal around the pipes and openings cut into the recess box, along the seams of the top and bottom panels of the recess box, and between the recess box flange and the building structure to ensure that no water or gas can enter the wall cavity.

Step 8: Install Water Heater

Complete the water heater installation per the Rinnai Tankless Water Heater Installation and Operation Manual.