

## Features

- Revolutionary funnel design virtually eliminates splashback
- KOHLER-engineered water flushing spreader successfully rinses the inverted back wall, sides, and front of the urinal basin for a more sanitary customer experience
- Ultra-low consumption. Operates at 0.125 gpf (0.47 lpf)
- 1/2" (12.7 mm) flexible rear supply hose
- Includes removable strainer, 2" outlet spud, universal mounting bracket, and hangers
- Offers 80% water savings compared to standard 1.0-gpf urinals
- This product can help a building earn Water Efficiency points in LEED® Green Building Rating System

## Material

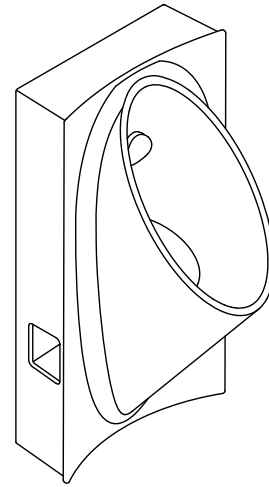
- Vitreous china

## Installation

- Large footprint covers old urinal wall print

## Recommended Products/Accessories

- K-23726 Drain treatment
- K-4929 Waterless Urinal Maintenance Balls



## Codes/Standards

ASME A112.19.2/CSA B45.1  
DOE - Energy Policy Act 1992  
EPA WaterSense®  
California Energy Commission (CEC)  
ADA  
ICC/ANSI A117.1  
NOM Standards  
NOM 002-CONAGUA



## KOHLER® One-Year Limited Warranty

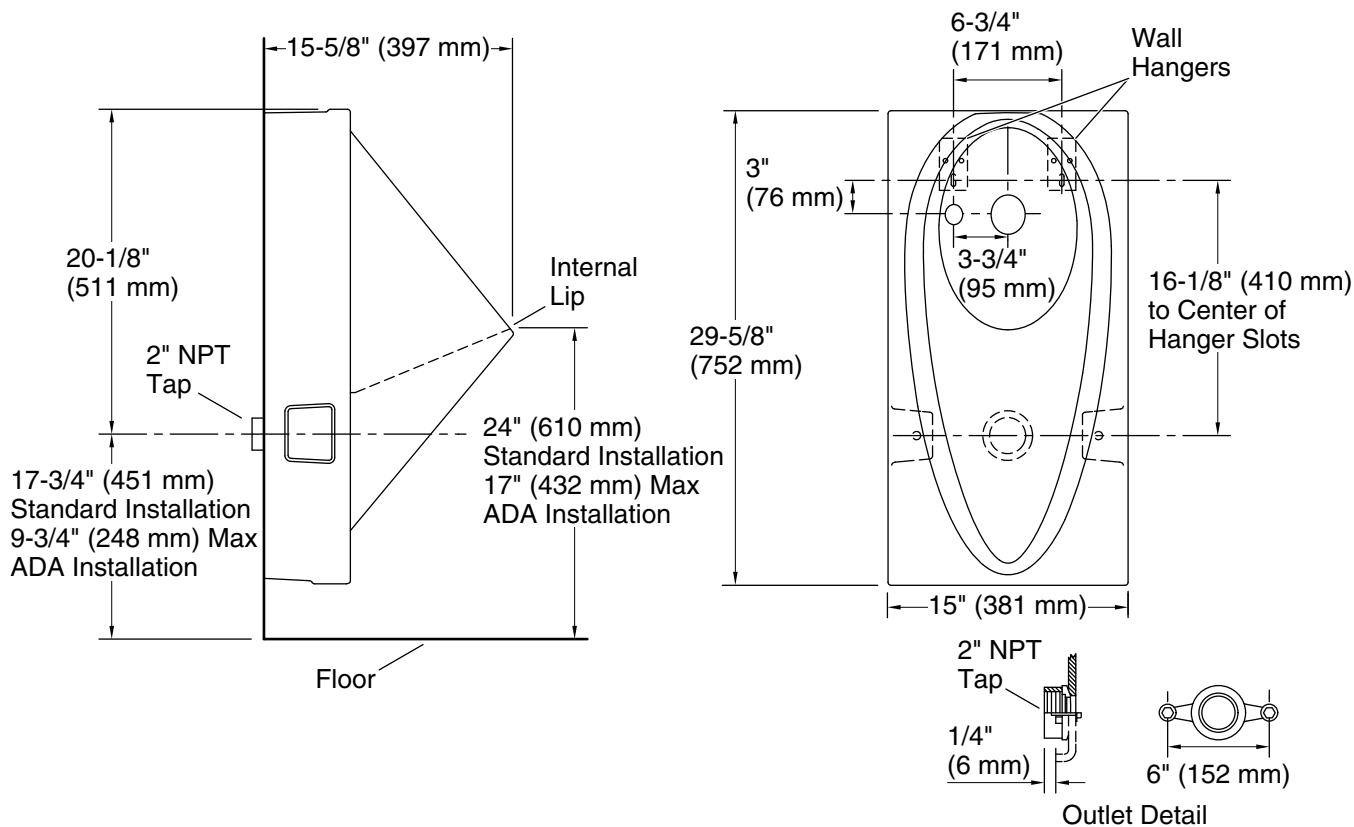
See website for detailed warranty information.

## Available Colors/Finishes

*Color tiles intended for reference only.*

### Color Code Description

	0	White
	7	Black Black™



## Technical Information

All product dimensions are nominal.

Spud size:	3/4", Inlet, Rear
Spud size:	2", Outlet, Rear
Min. Water per Flush:	0.125 gpf (0.5 lpf)
Max. Water per Flush:	0.125 gpf (0.5 lpf)

Designed for the above water use when installed with a water-saving flushometer.

## Notes

Install this product according to the installation guide.

ADA compliant when installed to the specific requirements of these regulations.