

TOTES DRESSER MIRROR ASSEMBLY INSTRUCTIONS



BOX 1 - DRESSER MIRROR

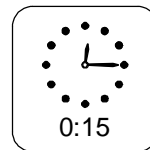
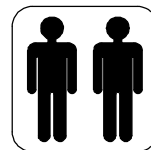
PART NO.	IMAGE	DESCRIPTION	QUANTITY
A		MIRROR	1
B		MIRROR SUPPORT	2

BOX 2 - 6 DRAWER DRESSER *SOLD SEPARATELY

PART NO.	IMAGE	DESCRIPTION	QUANTITY
C		DRESSER	1

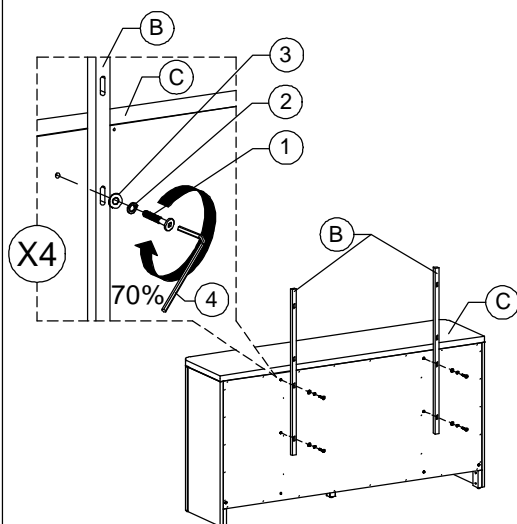
MIRROR HARDWARE KIT PACKED IN BOX 1

1		ALLEN BOLT (6X40mm)	8
2		SPRING WASHER (M6)	8
3		FLAT WASHER (M6)	8
4		ALLEN KEY	1

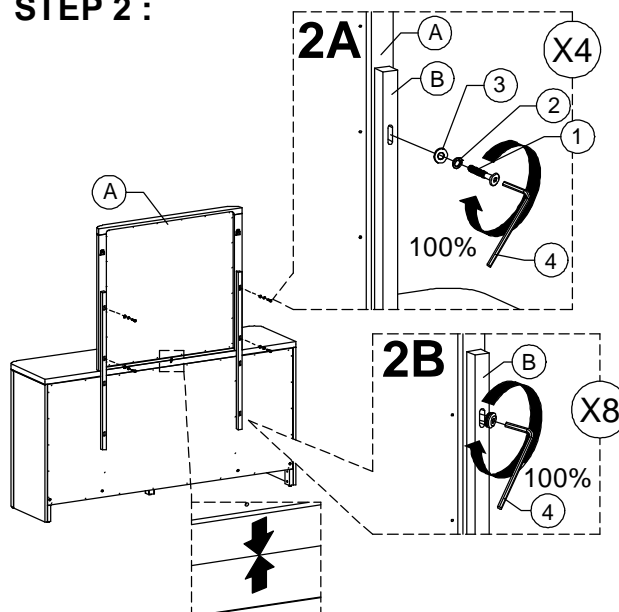


OPTION 1 : DRESSER MOUNTING

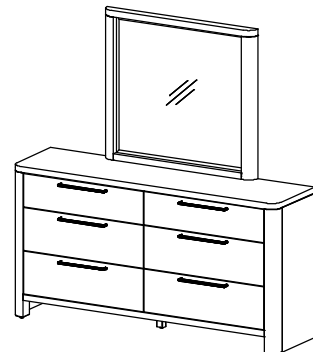
STEP 1 :



STEP 2 :



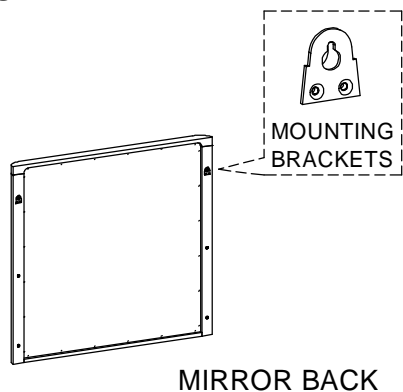
STEP 3 :



ASSEMBLY COMPLETE

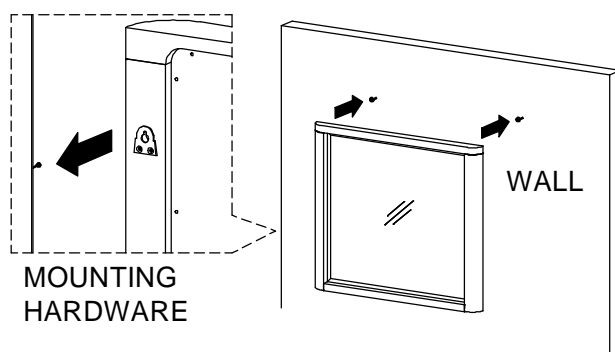
OPTION 2 : WALL MOUNTING

STEP 1 :



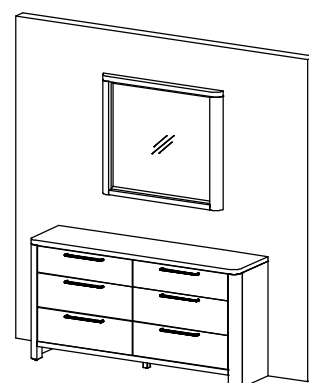
MIRROR BACK

STEP 2 :



*WALL MOUNTING HARDWARE NOT INCLUDED.

STEP 3 :



ASSEMBLY COMPLETE