

## DESCRIPTION

- Brass construction
- 1/2" IPS connections will accept standard ball nose connection for 3/8" tubing
- Diverter valve includes an integral vacuum breaker

## OPERATION

- Hot side counterclockwise to open (clockwise to close)
- Cold side clockwise to open (counterclockwise to close)
- Water flow is diverted by turning the knob counterclockwise for fill and clockwise for rosetta spray

## CARTRIDGE

- 116719 diverter cartridge
- 1234 cartridge design with hot and cold valves
- Nonmetallic and stainless steel material

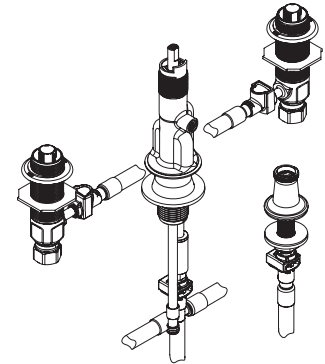
## STANDARDS

### When Trim Kit is added to M-Pact valve, the product is:

- Third party certified to meet ASME A112.18/CSA B-125.1 and all applicable requirements referenced therein

## WARRANTY

- Limited Lifetime warranty against leaks, drips and finish defects to the original consumer purchaser
- 5 year warranty if used in commercial installations

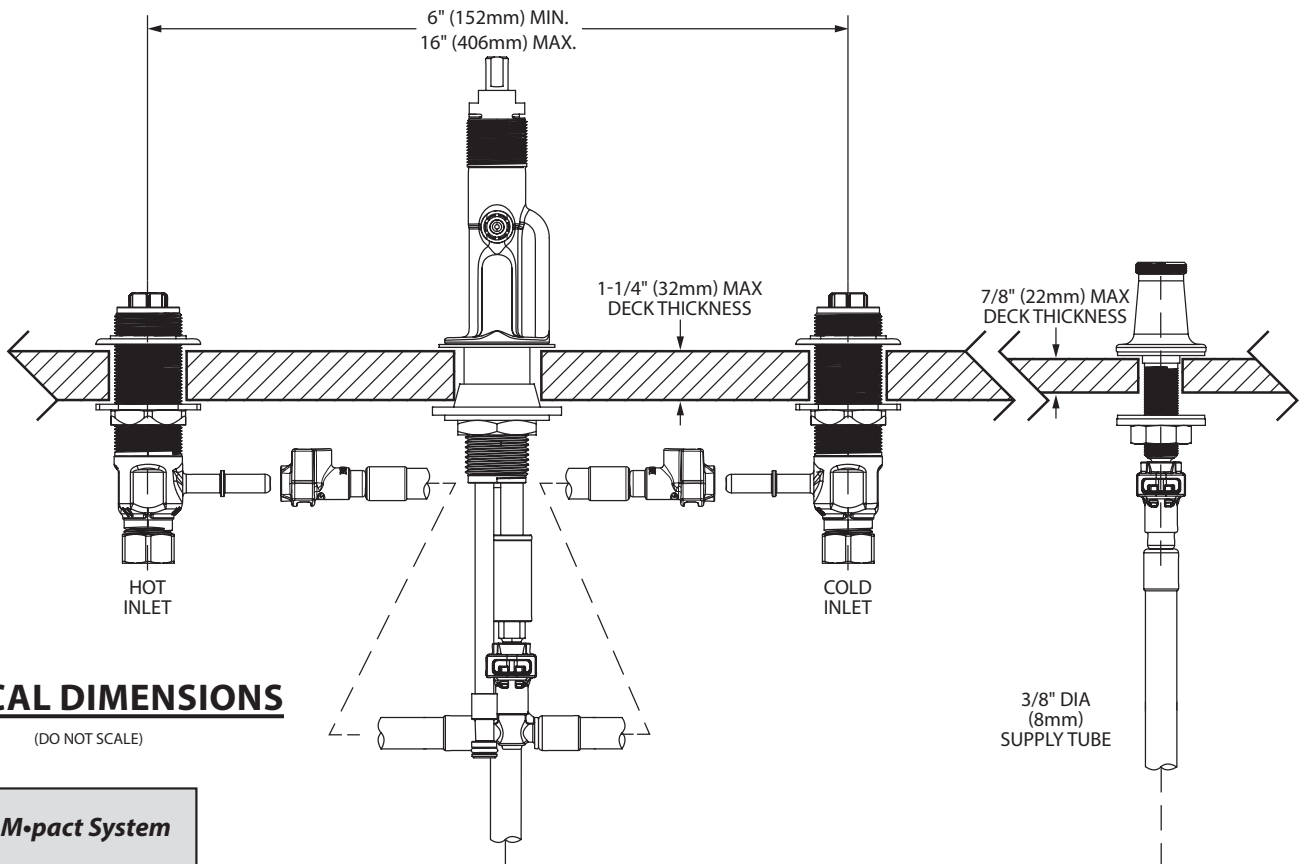


## M-Pact VALVE Widespread Bidet Rough-in Valve

**Model:** 9265

**NOTE:** Minimum Diameter Holes for Installation  
 Diverter Valve - 1-1/8" (29mm)  
 Handle Valves - 1-1/8" (29mm)  
 Spray Nozzle - 5/8" (16mm)  
 Lift Rod Escutcheon - 1/2" (13mm)

**NOTE:** Maximum Hole Diameter 1.5"



## CRITICAL DIMENSIONS

(DO NOT SCALE)

