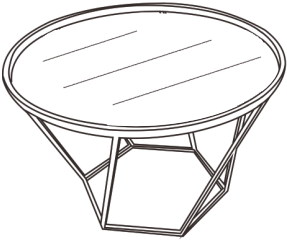
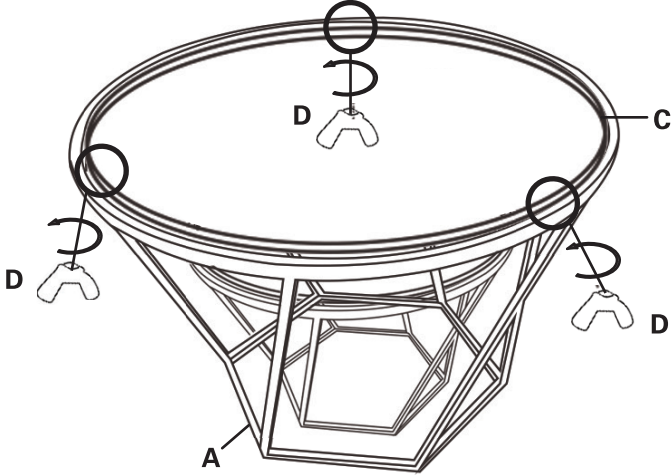
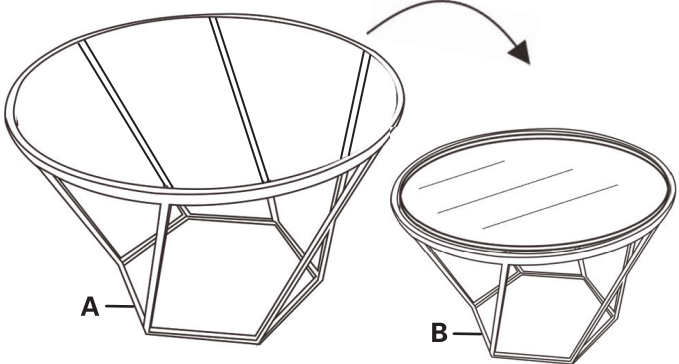

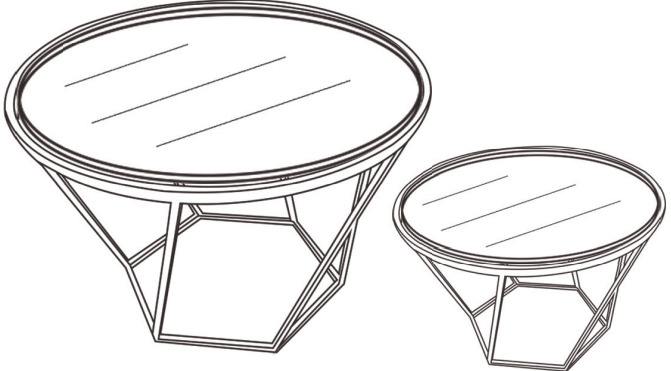
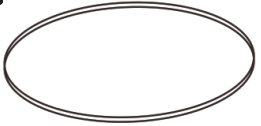
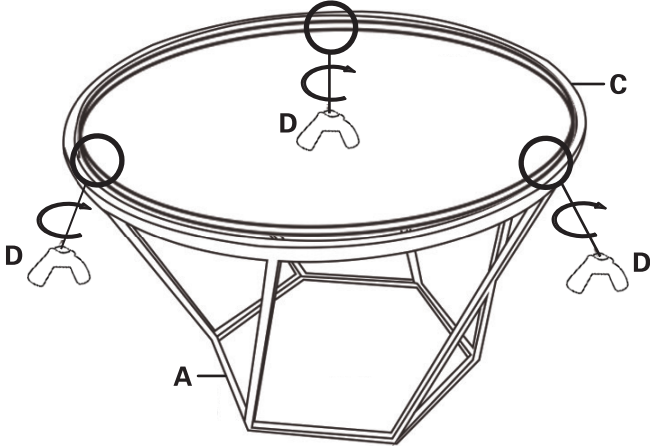



KAYLA HONEYCOMB END TABLES

ASSEMBLY INSTRUCTIONS

FIRSTIME & CO.[®]
— AMERICAN DESIGNED —

PARTS	STEP 1 Unscrew wing nuts (D) to de-tatch table top (C).	STEP 2 Remove table top (C) and take out small nesting table (B).
A  1 PC		
B  1 PC	STEP 3 Re-attach table top (C) to large table (A).	FULLY ASSEMBLED 
C  1 PC		
D  3 PC		