



BEST CHOICE
PRODUCTS

JOY

**INSTRUCTION
MANUAL**

Lighted Joy Yard Decoration



**BEST CHOICE
PRODUCTS**

As shoppers, we're always trying to find the perfect balance between quality & value. At BCP, we believe we've achieved that. Our diverse catalog of everyday essentials is tailored especially to our customers & guaranteed to hit that sweet spot of high quality & low price.

— Always. —

! NOTICE

Please retain these instructions for future reference.



1 PERSON
ASSEMBLY



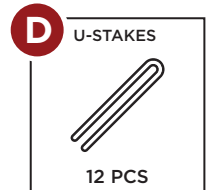
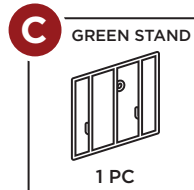
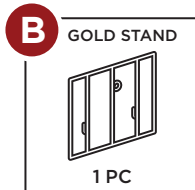
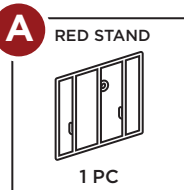
UP TO 30 MIN.
ASSEMBLY

- This product is intended for outdoor use and should be assembled outdoors only.
- This item is not intended for permanent installation or use.
- Unplug item when not in use or if left unattended.
- Ensure that your voltage is consistent with specifications.
- If any parts are missing, broken, damaged, or worn, stop using this product until repairs are made and/or factory replacement parts are installed.
- Do not use this item in a way inconsistent with the manufacturer's instructions as this could void the product warranty.
- This product is intended for residential use only.

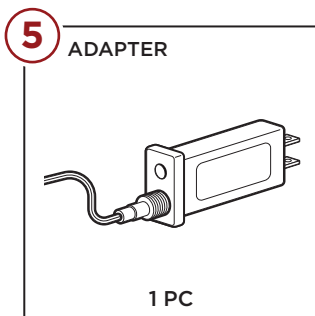
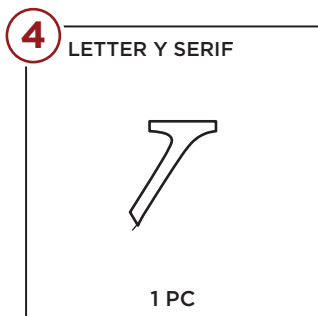
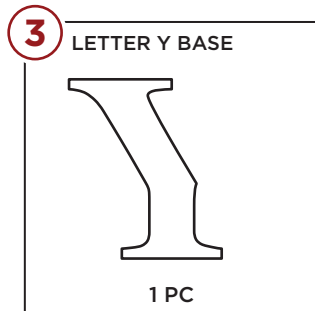
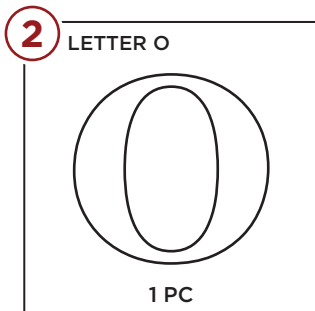
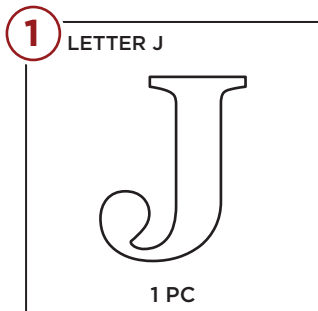
! WARNING

- Do not plug into a wall outlet until item is fully assembled.
- Do not use in extreme weather conditions.
- Keep item away from all heat sources (fireplace, stove, heater, etc.).
- Please use the provided stakes to properly secure the ornaments.
- Do not secure wiring with staples, nails, or sharp hooks.
- Do not hang ornaments or other objects from the cord.

HARDWARE



PARTS

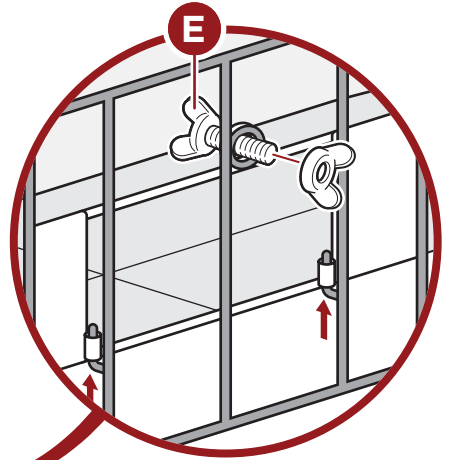
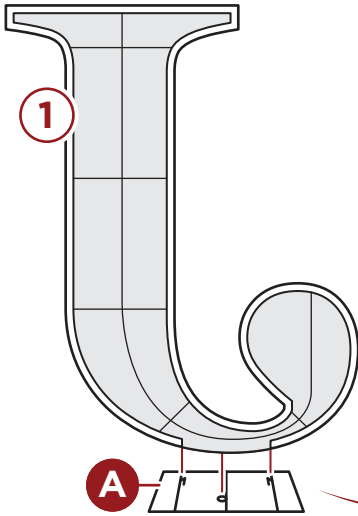


PRODUCT ASSEMBLY

1

Insert the hooks of the **part A red stand** into the receivers of the **part 1 letter J**, then secure with one **part E wingnut/screw set**.

Set the assembled "J" aside.

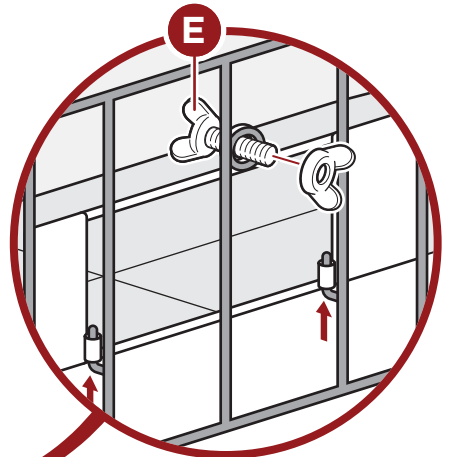
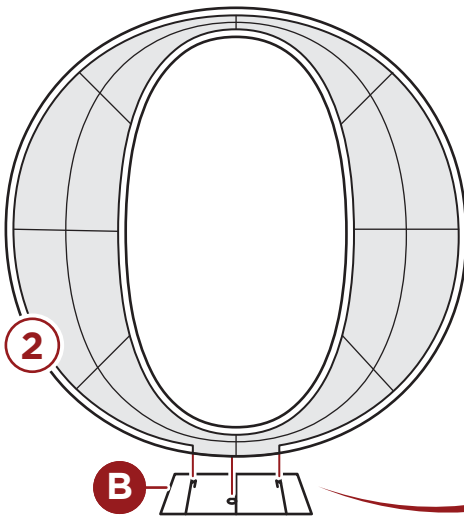


BOTTOM VIEW

2

Insert the hooks of the **part B gold stand** into the receivers of the **part 2 letter O**, then secure with one **part E wingnut/screw set**.

Set the assembled "O" aside.

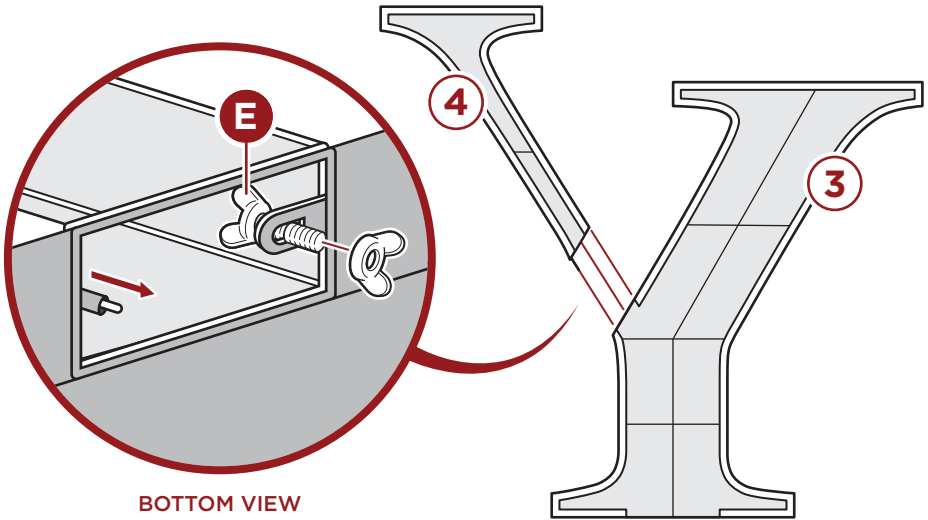


BOTTOM VIEW

PRODUCT ASSEMBLY

3

Insert the connector pins of the **part 4 letter Y serif** into the receivers of the **part 3 letter Y base**, then secure with one **part E wingnut/screw set**.

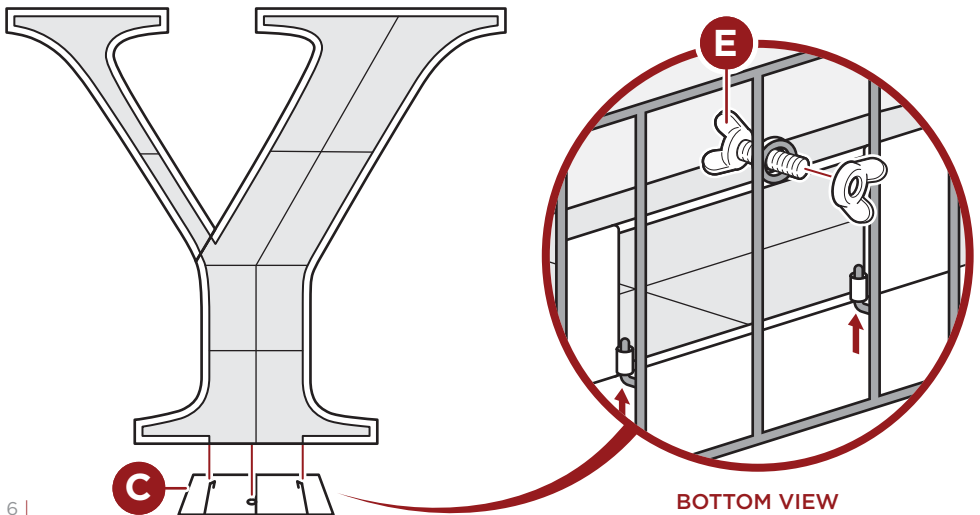


BOTTOM VIEW

4

Insert the hooks of the **part C green stand** into the receivers of the **part 3 letter Y base**, then secure with one **part E wingnut/screw set**.

Set the assembled "Y" aside.



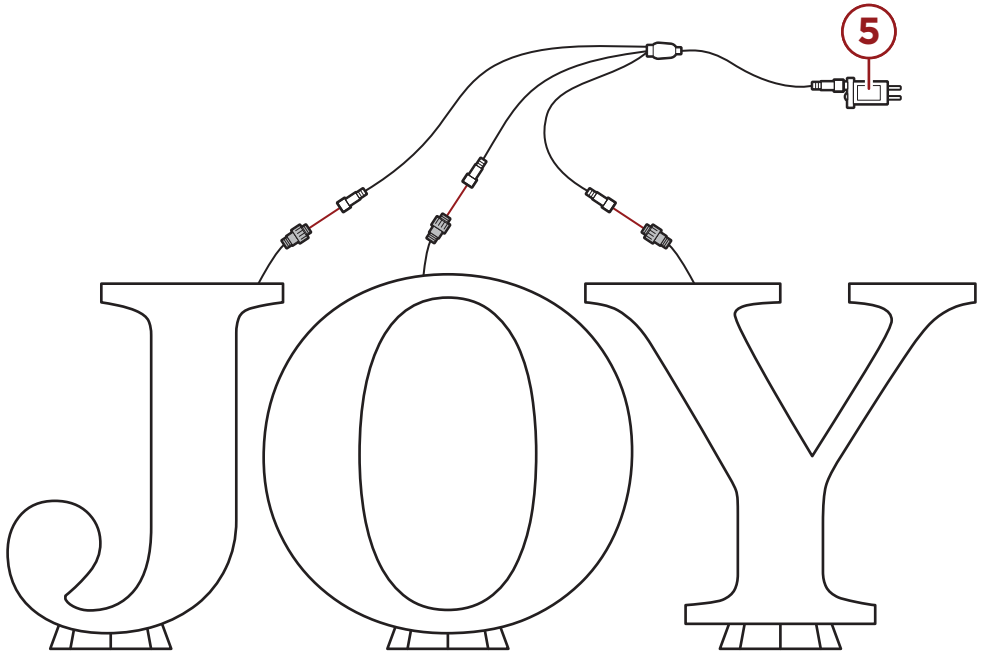
BOTTOM VIEW

PRODUCT ASSEMBLY

5

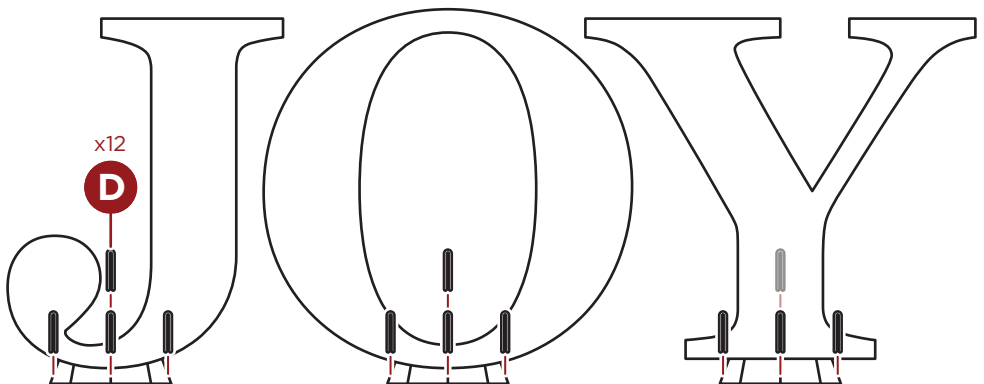
Arrange the letters as desired, then attach each letter to the connector plugs on the **part 5 adapter**. Plug the adapter into a wall outlet to turn the lights on.

NOTE: To adjust the light settings, press the button on the adapter.



6

Secure the arch bases and the figures to the ground with twelve **part D U-stakes**.





HELP CENTER



Question about your product? We're here to help. Visit us at:

help.bestchoiceproducts.com



Chat Support



Product Inquiry



Orders FAQ



Product Assembly



Returns & Refunds

PRODUCT WARRANTY INFORMATION

All items can be returned for any reason within 60 days of the receipt and will receive a full refund as long as the item is returned in its original product packaging and all accessories from its original shipment are included. All returned items will receive a full refund back to the original payment method. All returned items will not be charged a re-stocking fee.

All returned items require an RA (Return Authorization) number, which can only be provided by a Best Choice Products Customer Service Representative when the return request is submitted. Items received without an RA may not be accepted or may increase your return processing time. Once an item has been received by Best Choice Products, refunds or replacements will be processed within 5 business days.

All returns must be shipped back to the Best Choice Products Return Center at the customer's expense. If the reason for return is a result of an error by Best Choice Products then Best Choice Products will provide a pre-paid shipping label via email. Boxes for return shipping will not be provided by Best Choice Products, and is the customer's responsibility to either use the original shipping boxes or purchase new boxes.

Pictures may be required for some returns to ensure an item is not damaged prior to its return. Items returned are not considered undamaged until they are received by Best Choice Products and verified as such. All damages to items are the customer's responsibility until the item has been received by and acknowledged by Best Choice Products as undamaged.

© Best Choice Products, Inc. All rights reserved. Distributed by Best Choice Products, Inc. Tustin, CA 92780



WARNING

Manufacturer and seller expressly disclaim any and all liability for personal injury, property damage or loss, whether direct, indirect, or incidental, resulting from the incorrect attachment, improper use, inadequate maintenance, unapproved modification, or neglect of this product.