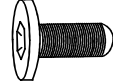


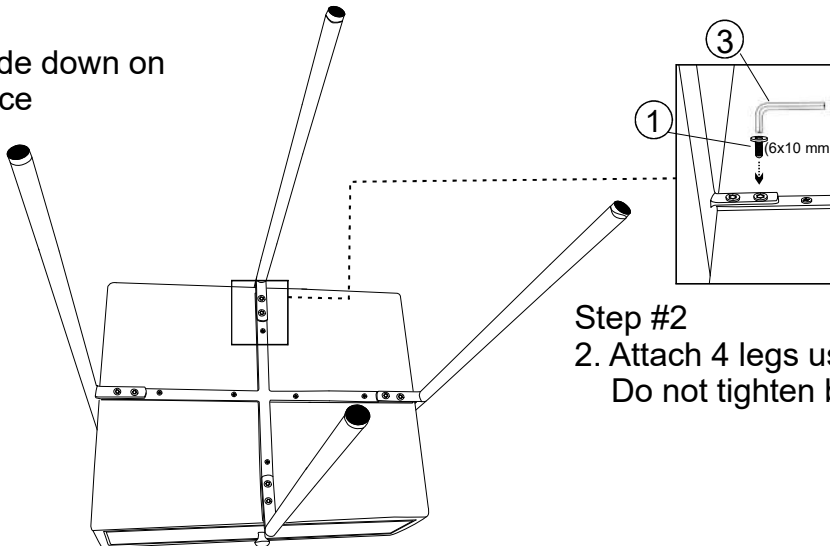


1		Bolt (6x10 mm)	08
2		Bolt (6x8 mm)	04
3		ALLEN WRENCH	01

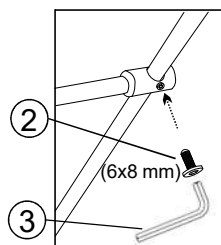
### Step #1

1. Lay Top upside down on soft clean surface



### Step #2

2. Attach 4 legs using Bolt (1), Wrench (3). Do not tighten bolts completely



### Step #3

1. Attach Iron Support with legs using Bolt (2) Wrench (3)

### Step #4

1. Tighten all Bolts completely
2. Turn Chairside Box Drawer Table Upright

