


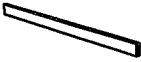






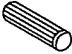

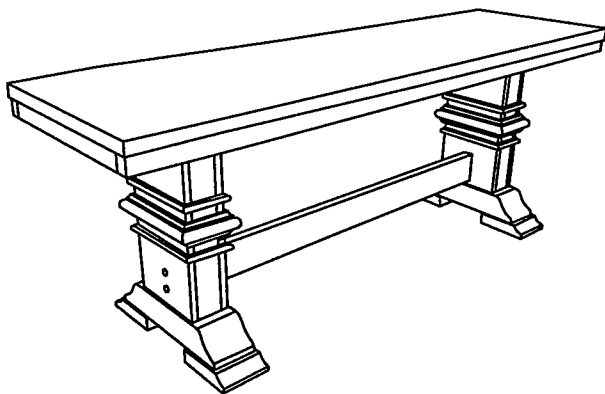


ASSEMBLY INSTRUCTION

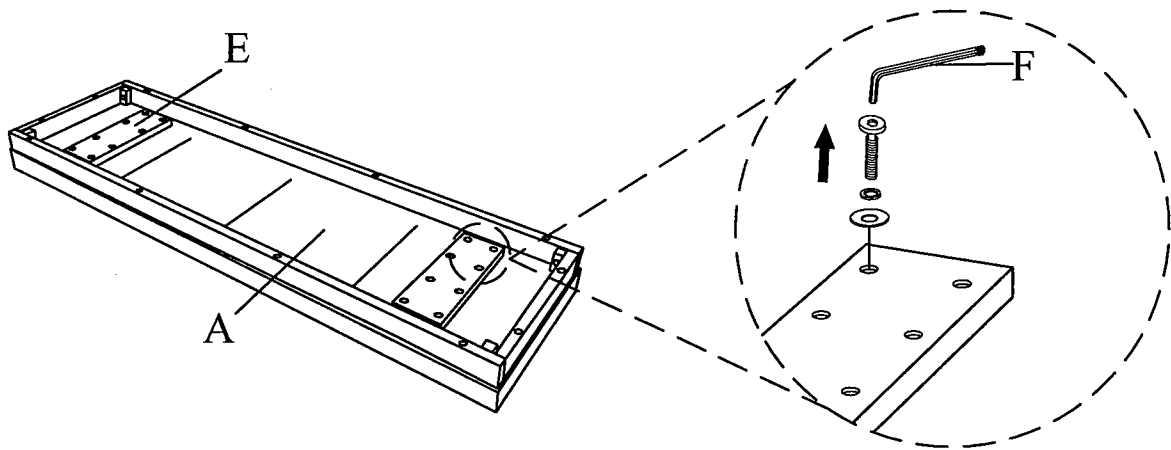
DINING BENCH WITH TRESTLE LEG

A WOODEN SEAT  1 PC	B TRESTLE LEG  2 PCS	C BASE  2 PCS	D TRESTLE BAR  1 PC
E SUPPORT BAR (Unloose from step 1)  2 PCS	F ALLEN WRENCH  1 PC	G JCBC M6 x 35mm (Included 4 pcs from step 1)  16 PCS	H JCBC M6 x 70mm  12 PCS
I SPRING WASHER M6 (Included 4 pcs from step 1)  28 PCS	J FLAT WASHER M6 (Included 4 pcs from step 1)  8 PCS	K PVC DOWEL M8 x 30mm  2 PCS	L WOOD BUTTON  4 PCS

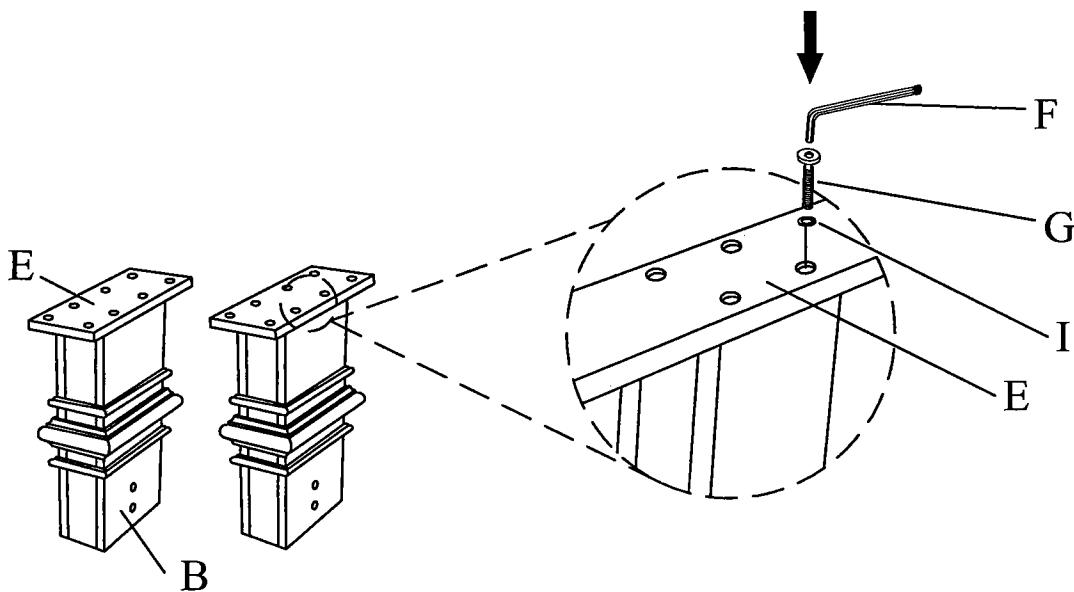


This Page lists all the contents included in the box . Please take the time to identify the hardware as well as the individual components to this product . As you unpack and prepare for assembly , place the contents on a carpeted or padded area to protect them from damage .

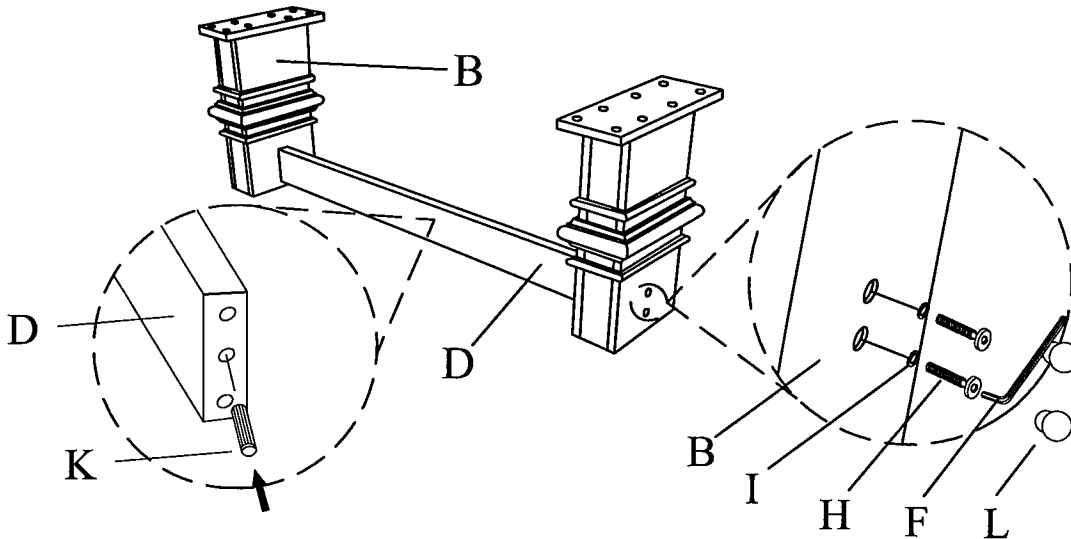
1 Please unloose bolt, spring washer and flat washer from support bar(E) with Allen wrench(F). Keep the hardware for step 5 and support bar for step 2 use.



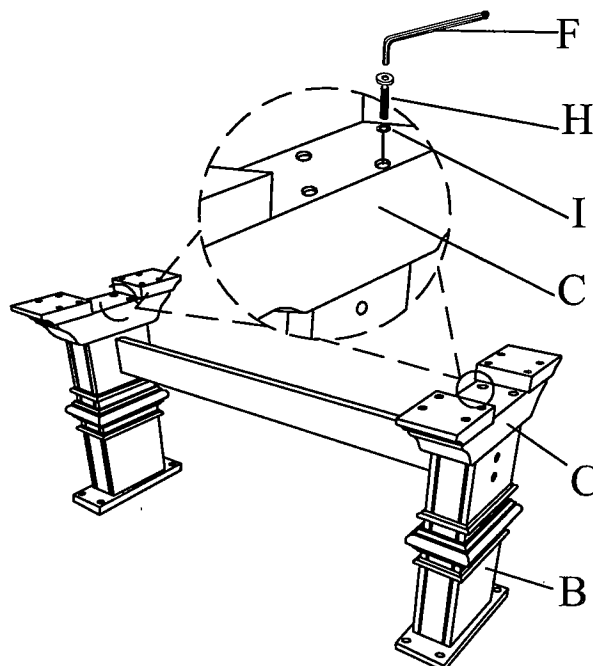
2 Align and fasten support bar(E) to trestle leg(B) using short bolt(G) and spring washer(I) which unloose from step 1 and tighten with Allen wrench(F).
** Do not fully tighten the nut or bolt until all nuts and bolts are attached.



-
- 3** i) Insert pvc dowel(K) to both end of trestle bar(D).
ii) Align and fasten trestle bar(D) to trestle leg(B) using long bolt(H) and spring washer(I) and tighten with Allen wrench(F). Insert wood button(L) to cover the open hole of the leg.

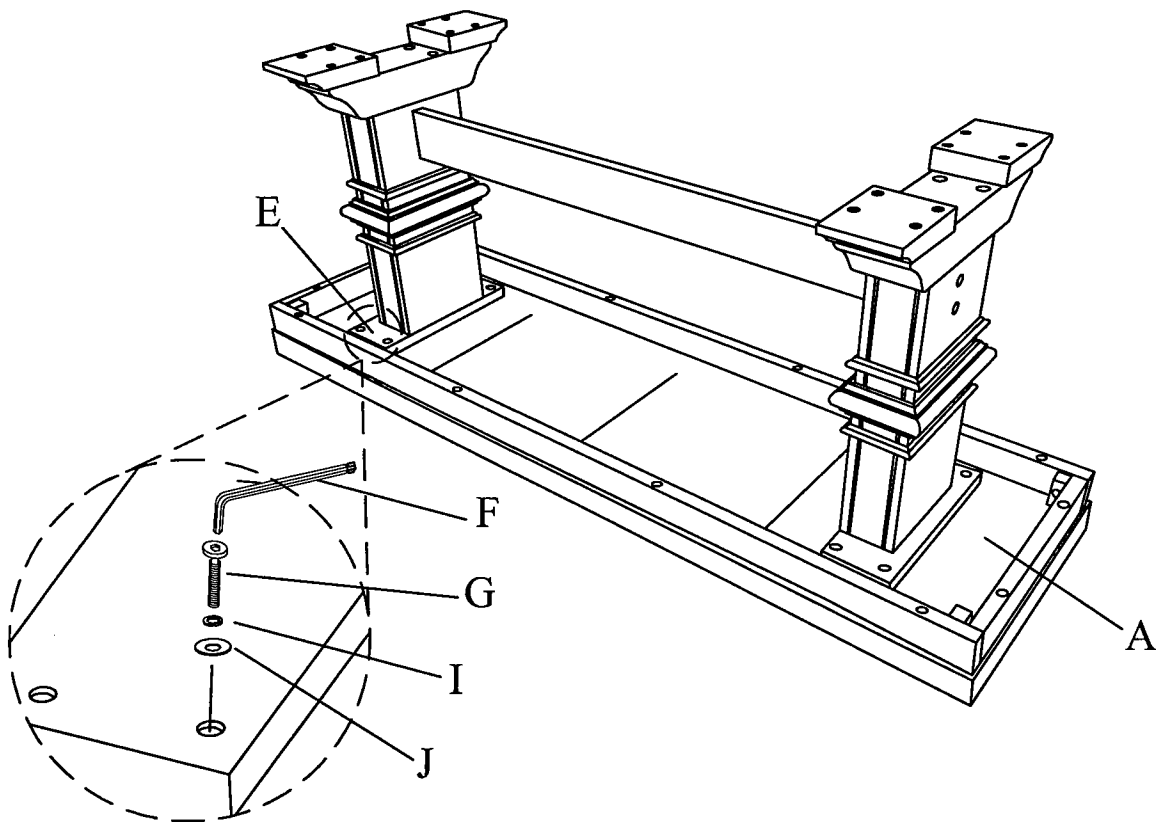


-
- 4** Flip bench leg over, align and fasten bottom base(C) to trestle leg(B) using long bolt(H) and spring washer(I). Tighten bolts with Allen wrench(F).
**** Do not fully tighten the nut or bolt until all nuts and bolts are attached.**



5 Place wooden seat upside down on soft surface. Align and fasten support bar(E) to wooden seat(A) using short bolt(G), spring washer(I) and flat washer(J) and tighten with Allen wrench(F).

**** Do not fully tighten the nut or bolt until all nuts and bolts are attached.**



Cleaning & Care

Treat Surface with care. Surface is resistant to scratches but is not scratch resistant. Clean surface with a dry or damp soft cloth. Do not use abrasive cleaners. Hardware may loosen over time. Periodically check that all connections are tight.