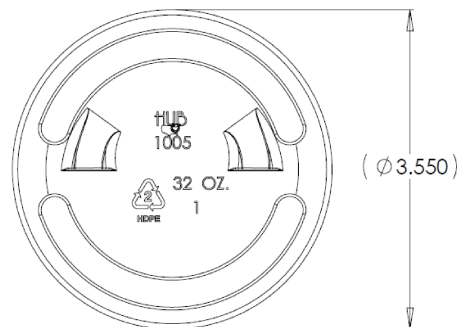
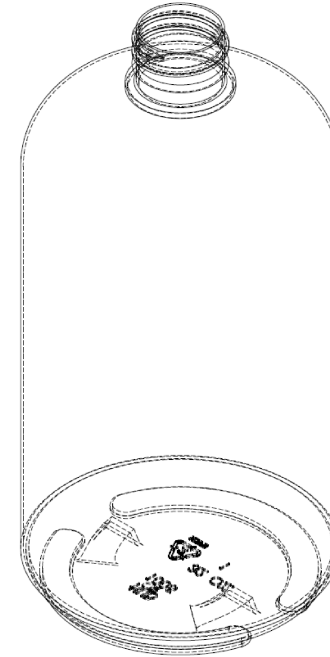


28-410 NECK FINISH		
SYM.	MAX.	MIN.
T	1.088	1.068
E	0.994	0.974
H	0.723	0.693
S	0.061	0.031
I	0.000	0.614
L	0.000	0.421



DISCLAIMER

THIS INFORMATION IS PROVIDED AS A GENERAL GUIDE, INCLUDING DIMENSIONS. IT IS THE CUSTOMER'S RESPONSIBILITIES TO SELECT THE PROPER CONTAINER FOR PRODUCT AND APPLICATION COMPATIBILITY.

DISTRIBUTED BY:



REF NO.:

DWG10282

DESCRIPTION:

32 oz HDPE Boston Round, 28-410