



The PWR-2440-XX is a 120V AC to 24V AC step down transformer. This Quick Reference Guide provides information required to connect and power some of the Savant® Climate products. Refer to the Related System Components section below for supported products.

Box Contents

- (1) PWR-2440-XX
- (1) 4 inch junction box mounting plate
- (1) Quick Reference Guide (This Document)

Related System Components

Savant® CLI-8000-00 Eight-Zone Thermostat Processing Unit
Savant® CLI-8000A-00 Eight-Zone Thermostat Processing Unit

Additional Documentation

For additional information related to the Climate Control products, refer to the Savant Portal located at dealers.savantsystems.com.

Products > Savant Hardware > Climate Control

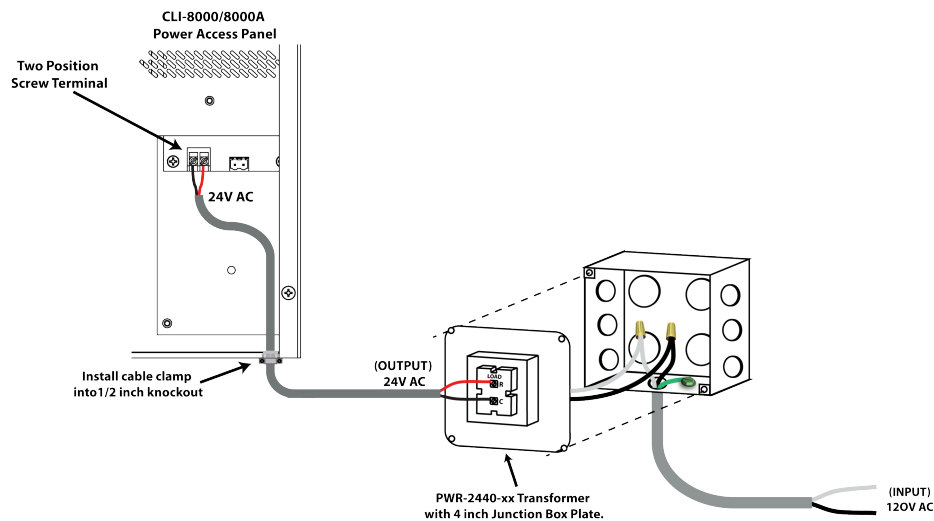
Specifications

Dimensions and Weight	
Height	3.25 inches (82.5 mm)
Width	2.75 inches (69.85 mm)
Depth	2.44 inches (61.98 mm)
Weight (Shipping)	1.85 lb
Power	
Voltage, Primary	120V AC
Voltage, Secondary	24V AC
Power Rating	40 VA
Frequency	60 Hz
Mounting and Wiring	
Mounting Type	Standard 4 inch electrical junction box
Termination	Line Input - 10 inch leads
	Load Output - Screw Terminals
Compliance	
Safety and Emissions	UL Mark FCC Part 15
RoHS	Compliant

Connections between PWR-2440-XX and CLI-8000/8000A

The transformer is intended to be mounted into a standard 4 inch electrical junction box. The transformer reduces the 120V AC line voltage to 24V AC and is used to power either the CLI-8000 or CLI-8000A Thermostat Processing Unit.

- To avoid electrical shock, all connections should be made by a licensed electrician.
- Each PWR-2440-XX transformer can supply only enough power to run one CLI-8000/8000A Thermostat Processing Unit. Connecting more than one CLI-8000/8000A per transformer is not recommended.



Instructions:

1. Turn off input power at breaker panel before any connections are made.
2. Incoming (120V AC) connections:
 - Connect the black wire from transformer to black wire coming from breaker panel.
 - Connect the white wire from transformer to white wire coming from breaker panel.
 - Connect the green or bare copper wire to a grounding screw in the junction box.
3. Outgoing (24V AC) connections:
 - Connect a #18 AWG (minimum) gauge wire from the R terminal on the load side of transformer to the terminal block labeled 24V AC on the CLI-8000/8000A. Refer to the diagram above. No Polarity is observed.
 - Connect a second #18 AWG (minimum) gauge wire from the C terminal on the load side of transformer to the terminal block labeled 24V AC on the CLI-8000/8000A. Refer to the diagram above. No Polarity is observed.
4. Ensure all connections are secure and no wires are exposed.
5. Turn on power at the breaker panel. The POWER LED on front panel of the CLI-8000/8000A will light up and the keypad display will power on.

Note: There is no On/Off switch on the CLI-8000/8000A. Power is automatically applied to the system once the main power is supplied.

Copyright © 2014 Savant Systems, LLC. SAVANT and RacePoint Blueprint are trademarks of Savant Systems, LLC. All brand names, product names and trademarks are the property of their respective owners. Savant Systems, LLC reserves the right to change product specifications without notice.