



REBEL[®]

Owner's Manual

RBL-2, RBL-3, RBL-4

Grills illustrated in this manual may differ from model purchased.



We Want Your Feedback!
Visit Napoleon.com to write a review



Apply Serial Number

CONGRATULATIONS ON YOUR NAPOLEON® GRILL!

You've Just Upgraded Your Grilling Game.



**OUR GOAL IS TO MAKE YOUR COOKING EXPERIENCE
BOTH MEMORABLE AND SAFE.**

🔥 Please read this Owner's Manual before using the appliance to avoid property damage, personal injury, or death.

🔥 Remove all packaging material, promotional labels and cards from the grill before use.

USE OUTDOORS IN A WELL-VENTILATED SPACE.

⚠️ DANGER! ⚠️

IF YOU SMELL GAS:

- Shut off gas to the appliance.
- Extinguish any open flame.
- Open lid.
- If odor continues, keep away from the appliance and immediately call your gas supplier, or fire department.

⚠️ WARNING! ⚠️

Do not try to light this appliance without reading the "LIGHTING" instructions section of this manual.

Do not store or use gasoline, or other flammable liquids or vapors in the vicinity of this or any other appliance.

A L.P. (propane) cylinder not connected for use must not be stored in the vicinity of this or any other appliance.

If the information in these instructions is not followed exactly, a fire or explosion may result and cause property damage, personal injury, or death.



Alert adults and children about the hazard of hot surface temperatures.



Supervise young children near the grill.

NOTICE TO INSTALLER: Leave these instructions with the grill owner for future reference.

NOTICE TO CONSUMER: Keep these instructions for future reference.

Welcome to Napoleon!

Safety First

WARNING!

General Information

This grill should be installed in conformity with local codes. In absence of local codes, install to the current Natural Gas and Propane Installation Code CSA B149.1 in Canada, or the National Fuel Gas Code ANSI Z223.1/NFPA 54 in the United States.

If a rotisserie motor is used, it must be electrically grounded in accordance with local codes. In absence of local codes, follow the current Canadian Electrical Code CSA C22.1 in Canada, or the National Electrical Code ANSI/NFPA 70 in the United States.

WARNING!

Installation & Assembly

Assemble this grill exactly as instructed in the Assembly Guide. If the grill was assembled in-store, review the assembly instructions to ensure it is done correctly.

Not to be installed in or on recreational vehicles and/or boats.

Perform the required Leak Test before operating the grill.

Do not modify this grill under any circumstances.

Do not use a cylinder that is not equipped with a QCC1 type connection.

Only use the pressure regulator and hose assembly supplied with this grill or replacement parts specifically recommended by Napoleon.

WARNING!

Storage & Disuse

Turn off gas at the gas cylinder or natural gas supply valve. Disconnect the hose between the gas cylinder and grill. Remove the gas cylinder and store outdoors in a wellventilated space away from children.

DO NOT store gas cylinders in a building, garage, shed, or any other enclosed space. Disconnect the natural gas hookup from the supply when storing the grill indoors.

WARNING!

Operation

Read this entire Owner's Manual before operating this grill. Leak test the gas system before first use, whenever the cylinder is exchanged/refilled, when any gas connection is reconnected or serviced, or any time you smell gas or see damage. Follow the lighting instructions carefully.

WARNING!

California Proposition 65

This product can expose you to chemicals including soot, which are known to the State of California to cause cancer, and chemicals including carbon monoxide, which are known to the State of California to cause birth defects or other reproductive harm. For more information go to www.P65Warnings.ca.gov.

CONTENTS

Welcome to Napoleon!	3
Safety First	3
Full System Features	5
Additional Safe Operating Practices	6
Locating Your Grill	8
Gas Connections	9
Leak Test	11
Operation	12
Lighting your grill	12
Grilling Instructions	14
How to use the Rotisserie	16
The Cooking Experience Checklist	18
How to Season Cast Iron Cooking Grids	19
Infrared Grilling Guide	20
Cleaning Instructions	21
First Time Use	21
Cast Iron Grids	21
Stainless Steel Grids	21
Infra-red Side Burner	21
Inside of the Grill	22
Porcelain Enamel	22
Drip Pan	22
Control Panel	23
Aluminum Castings	23
Exterior Grill Surface	23
Insect Screen and Burner Ports	24
Maintenance Instructions	25
Recommendations	25
Combustion Air Adjustment	25
Stainless in Harsh Environments	27
Troubleshooting	28
Warranty	35

Full System Features

ACCU-PROBE™

Temperature Gauge to easily read the temperature for perfect results.

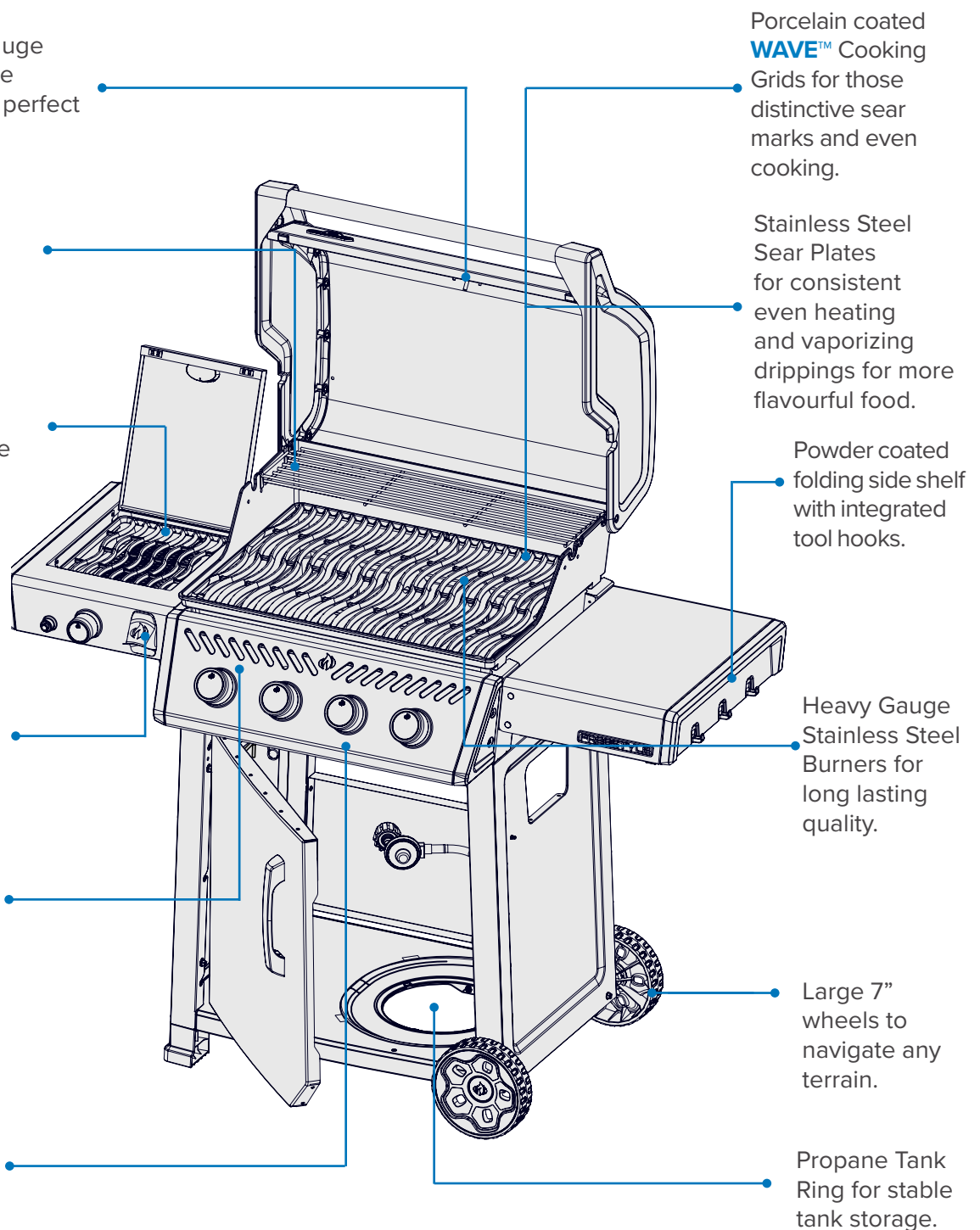
Large Chrome Plated Warming Rack for increased cooking area.

Infrared Side Burner for versatile grilling options to create delicious side dishes, sauces and more.

Integrated Bottle Opener close to the grilling action.

Instant **JETFIRE™** Ignition for quick and easy start-up.

Easy access drip pan for efficient maintenance.



Porcelain coated **WAVE™** Cooking Grids for those distinctive sear marks and even cooking.


Stainless Steel Sear Plates for consistent even heating and vaporizing drippings for more flavourful food.

Powder coated folding side shelf with integrated tool hooks.

Heavy Gauge Stainless Steel Burners for long lasting quality.

Large 7" wheels to navigate any terrain.

Propane Tank Ring for stable tank storage.

 The grills illustrated in this Owner's Manual may differ from the model you purchased. Featured model: FREESTYLE PROSIB.

Getting Started



DANGER!

Advises of a hazard that could result in a fire, explosion, death or serious physical injury.



WARNING!

Advises of a hazard that could result in minor physical injury or property damage.



Do not smoke while performing a gas leak test. Sparks or flames will cause a fire, explosion, damage to property, serious physical injury, or death.



Never use an open flame to check for gas leaks. Sparks or flames will cause a fire, explosion, damage to property, serious physical injury, or death.



CAUTION! Hot surface.



Immediately shut off the gas supply and disconnect.



Wear safety glasses.



Wear protective gloves.



Important Information.

Additional Safe Operating Practices

- Do not route the hose underneath the drip pan. Maintain proper hose clearance to the bottom of the unit.
- Ensure sear plates are positioned properly according to sear plate installation instructions.
- Burner controls must be off when turning the gas cylinder valve on.
- Do not light burners with the lid closed.
- Do not close the side burner lid when operating or hot.
- Do not deep fry food on the side burner.
- Do not adjust the cooking grids when operating or hot.
- Do not move the appliance during use.
- Turn off the gas supply at the source after use.
- Do not modify the appliance.
- Maintenance should only be done when the grill is cool.
- Do not store lighters, matches or any other combustibles inside the enclosure or condiment tray.
- Keep all electrical supply cords and fuel supply hoses away from all heated surfaces.
- Clean the grease tray, drip pan, and sear plates regularly to avoid build-up and grease fires.
- Do not allow cold water (rain, sprinkler, hose etc.) to contact the heated grill. An immediate temperature change will chip the porcelain and crack the ceramic burners.
- Do not use a pressure washer to clean any part of the grill.

- Do not locate this grill where it can be exposed to high winds, especially when the wind can come from directly behind the grill.
- Do not operate appliance under any combustible construction.
- Never cover more than 75% of the cooking surface.
- This appliance must be kept away from flammable materials while in use.
- Always maintain proper clearance to combustibles 24" (610mm) to rear of unit, 7" (178mm) to sides.
- Additional clearance of 24" (610mm) is recommended near vinyl siding or panes of glass.
- The minimum ambient operating temperature for safe use of the appliance is 0 °F (-17.8 °C).

**WARNING!**

- The hook-up and installation of the gas and hose connection must be performed by a licensed gas fitter, and leak tested before operating the grill.
- Ensure the hoses do not contact any high temperature surfaces of the grill.
- Accessible parts may be very hot. Keep young children away.

Locating Your Grill

Ensure that the location for your gas grill meets all clearance requirements to adjacent combustibles. This appliance is intended for use on an outdoor patio or in your yard.

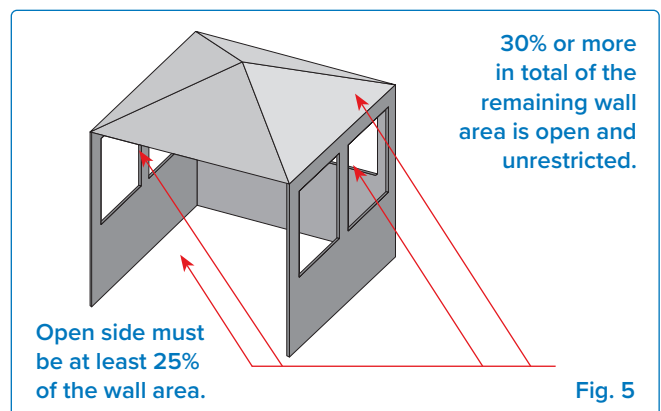
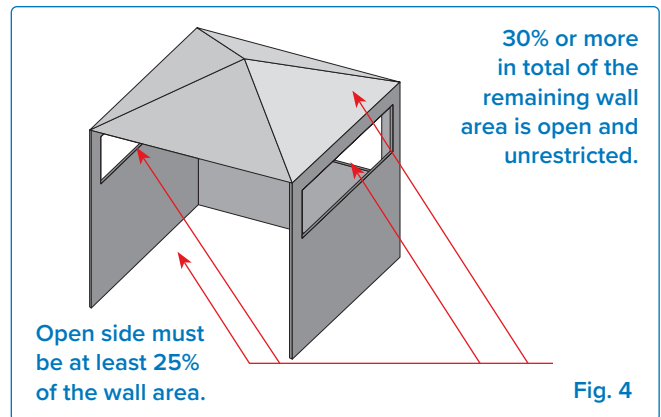
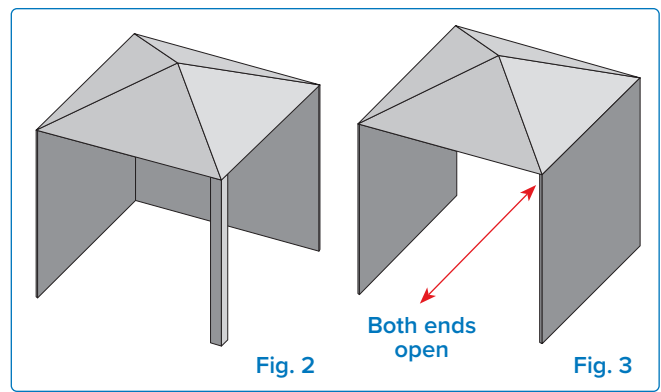
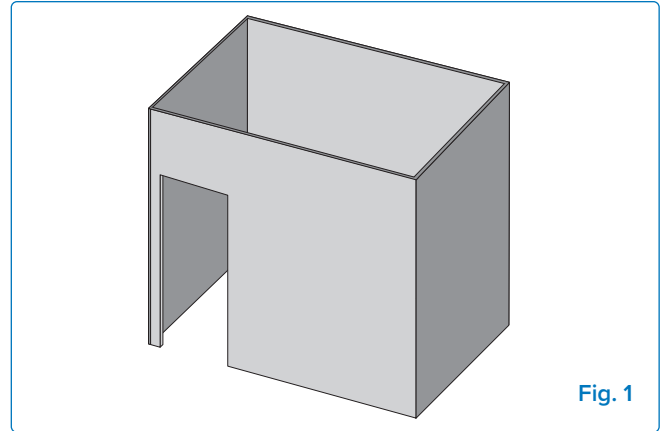
- Use the appliance only in an above-ground, open-air location with natural ventilation and no stagnant areas. Ensure gas leakage and combustion products are dispersed quickly by wind and natural convection.
- Do not use the appliance in a building, garage, or other enclosed space.
- Do not integrate the appliance into built-in or slide-in construction.
- Do not block ventilation openings in the cylinder enclosure.

Any enclosure in which the appliance is used must meet one of the following requirements:

- The appliance is considered outdoors if installed in a shelter with walls on three sides but no overhead cover. **(Fig 1).**
- An appliance is considered to be outdoors if installed in a shelter with an overhead cover and no more than two sidewalls.
 - » The sidewalls may be parallel, as in a breezeway, or at right angles to each other. **(Fig 2 & Fig 3).**
- An appliance is considered outdoors if installed in a shelter with three sidewalls and an overhead cover, as long as 30% or more of the horizontal periphery of the enclosure is permanently open. **(Fig 4 & Fig 5).**

! IMPORTANT!

- All openings must be permanently open.
- Sliding doors, garage doors, windows, or screened openings are not considered as permanent openings.



Gas Connections

To a Propane Cylinder: Option 1

Only use a 20 lb. (9.1 kg) propane cylinder constructed and marked in accordance with the Specifications for LP gas Cylinders of the U.S. Department of Transportation (D.O.T.) or the Standard for Cylinders, Spheres and Tubes for Transportation of Dangerous Goods and Commission, CAN/CSA-B339, as applicable.

Only use a gas pressure regulator specified by Napoleon. The regulator must supply a pressure of 11 inches water column (0.39 psi) and have a QCC1 type fitting.

The cylinder connection device must be compatible with the connection for this outdoor appliance.

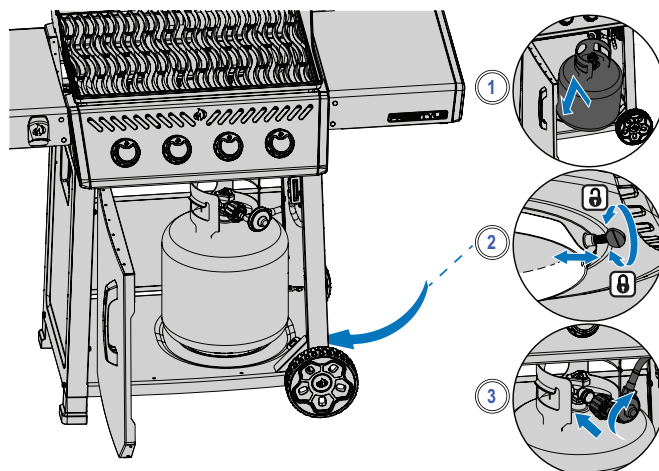
The gas cylinder must have:

- A shutoff valve with a QCC1 connection
- A safety relief device
- A collar to protect the valve
- A listed Overfill Protection Device

Hook-up and Installation

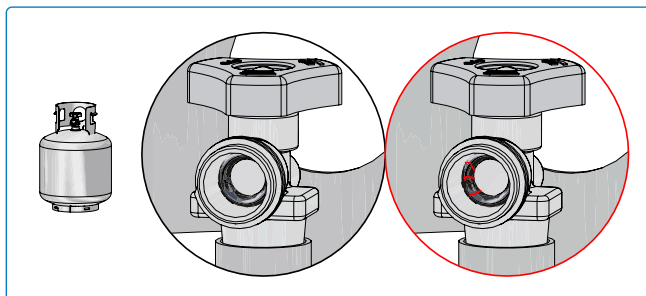
- Check the cylinder for dents or rust, and have it inspected by your propane supplier.
- Never use a cylinder with a damaged valve.
- Place the cylinder in its designated area on the bottom shelf.
- Ensure the gas regulator hose has no kinks.
- Remove the cap or plug from the cylinder fuel valve.
- Insert the black QCC1 regulator nipple onto the QCC1 fuel valve. Hand tighten to right. Do not use tools.
- Ensure the hose does not contact with the drip pan or any high temperature surfaces of the grill because it will melt and cause a fire.
- Leak test all joints prior to operating the grill. See “Leak Test”.

- The cylinder must be mounted so that the pressure relief valve outlet is not oriented toward the normal operating position of the user.



NOTE: Inspect the LP gas cylinder valve seal for cracks, wear, or deterioration each time the cylinder is replaced or refilled.

Any LP gas cylinder showing signs of damage or deterioration, including visible cracks and pitting, must be returned unused to the seller.



WARNING!

- Do not store a spare gas cylinder below the grill head or side burners.
- Never use a gas cylinder that is beyond 80% full.

To a House Gas Supply Line: Option 2

- A gas supply hose and quick disconnect designed for natural gas and certified for outdoor use are included with natural gas grills.
 - Natural gas plumbing must supply a pressure of 7 inches water column pressure to the inlet of the grill.
 - Piping and valves upstream of the quick disconnect are not supplied.
 - The gas pipe must be sized to supply the BTU/h specified on the rating plate, based on the length of the piping run.
 - See **“WARNING! General Information”** of this manual for installation codes.
1. Hook-up to a gas supply line must be performed by a licensed gas fitter and leak tested before operating the grill.
 2. Do not route the hose in close proximity to the drip pan or over top of the back panel.
 3. Ensure the hose does not contact any high temperature surfaces.

Quick Disconnect

- Do not install the quick disconnect in an upward direction.
- A readily accessible manual shut-off valve must be installed upstream of the quick disconnect, and as close to it as possible.
- Connect the flared end of the hose to the fitting on the end of the manifold tube or flex tube (if applicable).
- Tighten using two wrenches. Do not use thread sealer or pipe dope.
- Leak test all joints prior to operating the gas grill. See **“Leak Test”** section.



WARNING!

- Follow all specifications and instructions exactly to prevent fire, explosion, property damage, personal injury, or death.
- Disconnect the grill and its individual shutoff valve from the gas supply piping system during any pressure testing in excess of ½ psi (3.5 kPa).
- Close the individual shutoff valve to isolate the grill from the gas supply piping system during any pressure testing equal to or less than ½ Psi (3.5 kPa).
- Check the hose for evidence of excessive abrasion, melting, cuts or cracks. If the hose is damaged, it must be replaced with an assembly specifically recommended by Napoleon.



BE CAREFUL!

The lid of the grill and the entire firebox can become very hot when in use.

Leak Test

Why and When to Leak Test?

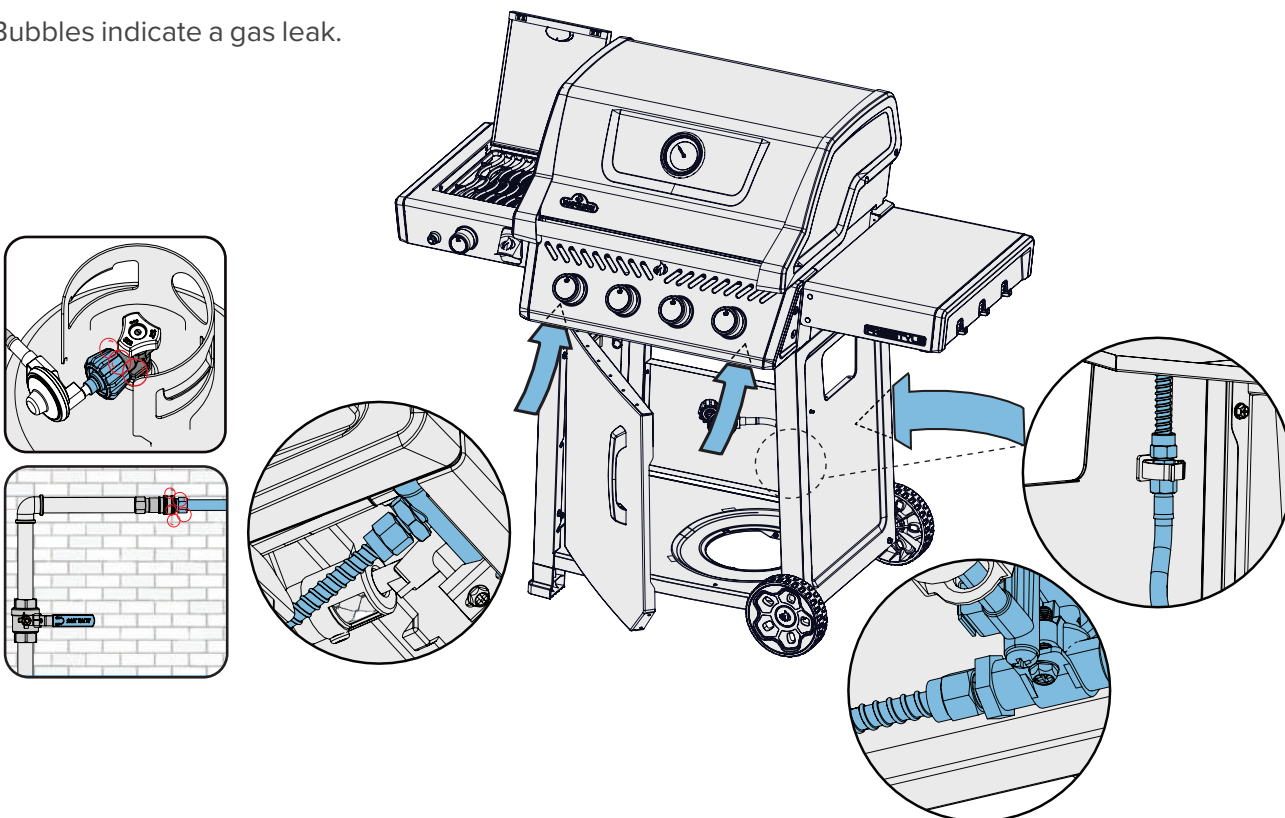
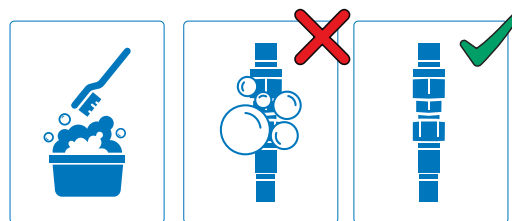
A leak test confirms no gas is escaping after you connect the hose to the gas supply. Each time the tank is refilled and reinstalled, ensure that there are no leaks in the fitting where the regulator connects to the tank. Leak test this grill before use, annually, and when any gas components are replaced (**Fig 9**).

Leak Test Steps

1. Do not smoke while performing the test.
2. Remove all sources of ignition.
3. Turn all burner controls to the off position.
4. Turn the gas supply valve on.
5. Brush a half-and-half solution liquid soap and water onto all joints and connections of the regulator, hose, manifolds, and valves.
6. Bubbles indicate a gas leak.

If you Find a Leak

1. Tighten any loose joints.
2. If the leak cannot be stopped, immediately shut off the gas supply and disconnect the grill.
3. Have the grill inspected by a certified installer, or dealer.
4. Do not use the grill until the leak has been fixed.



DANGER!

- Never use an open flame to check for gas leaks. Sparks or flames will cause a fire, explosion, damage to property, serious physical injury, or death.
- Only use the pressure regulator and hose assembly supplied with the grill, or one in conformity with local codes.

Operation

Lighting your grill

First-time use? Perform a burn-off.

Remove warming rack and run the main burners on high for 30 minutes. It is normal for the grill to emit an odor the first time it is lit. This odor is caused by the “burn-off” of internal paints and lubricants used in the manufacturing process and will not occur again.

WARNING!

- Do not operate the rear or side burner while performing a Burn-Off.

Main Burner Lighting

1. Open grill lid (**Fig. 7**).
2. Push and slowly turn any main burner knob counter clockwise to HIGH position until pilot lights. Continue to push down on the control knob until the burner lights and then release (**Fig. 7-A, Fig. 8**).
3. If the pilot does not light – immediately turn the control knob clockwise to the OFF position. Repeat step 2.
4. If the pilot and burner will not light in 5 seconds – turn the control knob clockwise to the OFF position. Wait 5 minutes for gas to dissipate. Repeat steps 2 and 3, or see “Alternative Ignition Instructions” below (**Fig. 11, Fig. 12**).

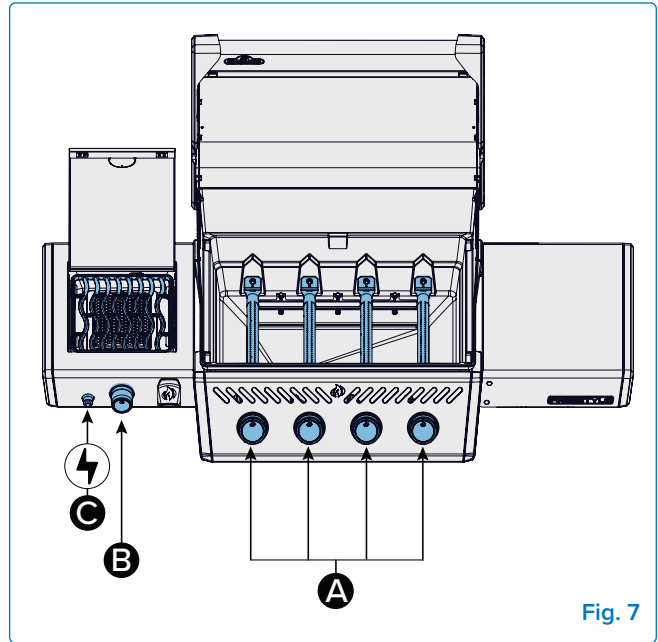


Fig. 7

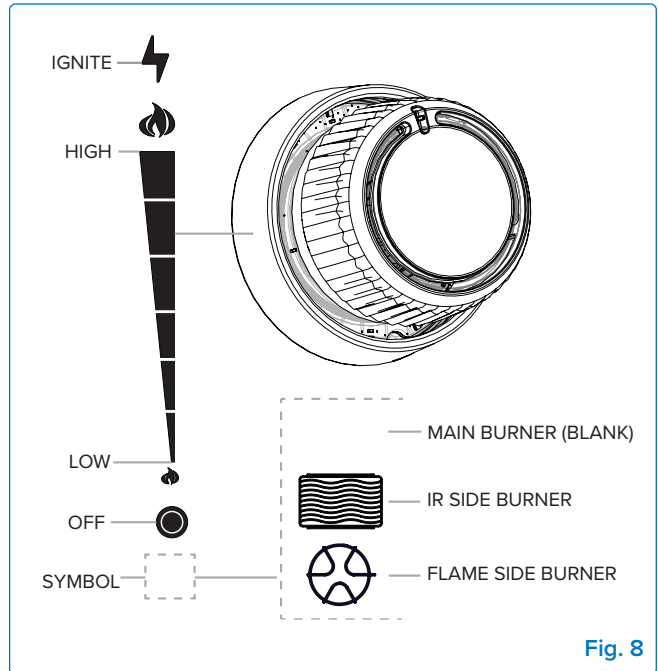


Fig. 8

Side Burner Lighting (if equipped)

1. Open burner cover. **(Fig. 9).**
2. Push and slowly turn side burner knob counterclockwise to HIGH position until the spark lights the burner **(Fig. 7-B, Fig. 8).**
3. Continue to push down on the control knob until the burner lights and then release.
4. If the burner will not ignite – turn burner control knob clockwise to the OFF position. Wait 5 minutes (Fig. 2). Repeat steps 2 and 3, or see "Alternative Ignition Instructions".

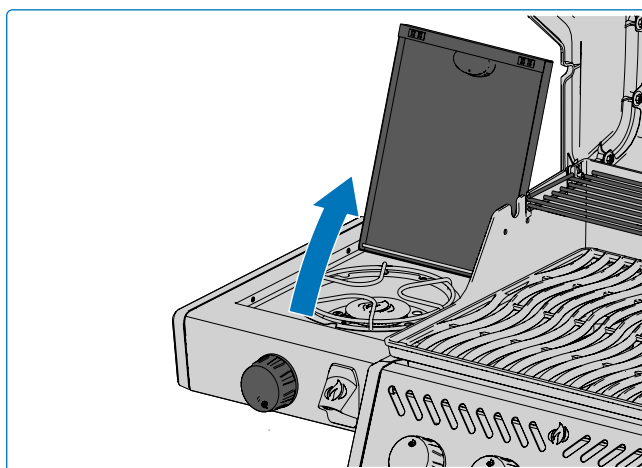


Fig. 9

Infra-red Side Burner Lighting (if equipped)

1. Open burner cover **(Fig. 10)**
2. Push and slowly turn side burner knob counter clockwise to HIGH position **(Fig. 7-B, Fig. 8).**
3. Press and hold igniter button until the burner lights, or light by match **(Fig. 7-C)**
4. If the burner will not ignite – turn burner control knob clockwise to the OFF position. Wait 5 minutes. Repeat step 2 and 3.

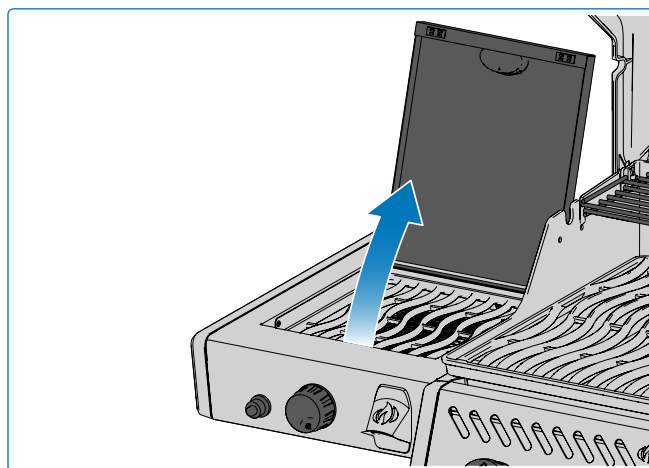


Fig. 10

Alternative Ignition Instructions

1. Open burner/grill lid **(Fig. 11, Fig. 12)**
2. Light a long-reach match or butane lighter and position it close to the burner ports.
3. Turn the corresponding burner knob counter clockwise to the HIGH position until it lights.

Main Burner

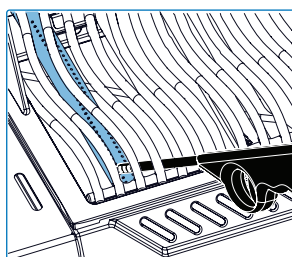


Fig. 11

Side Burner

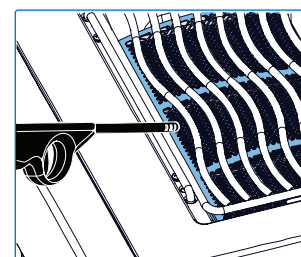
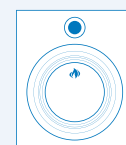


Fig. 12

! WARNING!

- Ensure all burner controls are in the OFF position before slowly turning on gas supply valve.
- Follow the lighting instructions carefully.
- Make sure the lid of the grill is OPEN while igniting.
- Do not adjust the cooking grids while the grill is hot, or operating.
- Regularly clean grease out of the entire unit, including the grease tray and the sear plates, to avoid build-up and grease fires.



Grilling Instructions

Main Burner Use

- Preheat the grill before searing food by operating all main burners on high with the lid closed for approximately 10 minutes.
- Food cooked for only a short time such as fish and vegetables can be grilled with the lid open.
- Grilling with the lid closed ensures higher and consistent temperatures that cook meat more evenly and can reduce cooking times.
- The cooking grids can be oiled before preheating to reduce sticking when grilling lean meat such as chicken breast, or pork.
- Food that takes longer than 30 minutes such as roasts can be cooked indirectly with the burner lit opposite the food.
See Indirect Grilling.
- Trim excess fat off meat to prevent flare-ups, or reduce the temperature of the grill.
- Flare ups – move food away from the flames and reduce the heat. Leave the lid open.

Direct Grilling

This method is ideal for searing or cooking food quickly, such as hamburgers, steaks, chicken, or vegetables. Place the food directly over the heat on the cooking grids. Sear meat first to lock in juices and flavor, then lower the grill temperature to finish cooking to your preference (**Fig 13**).

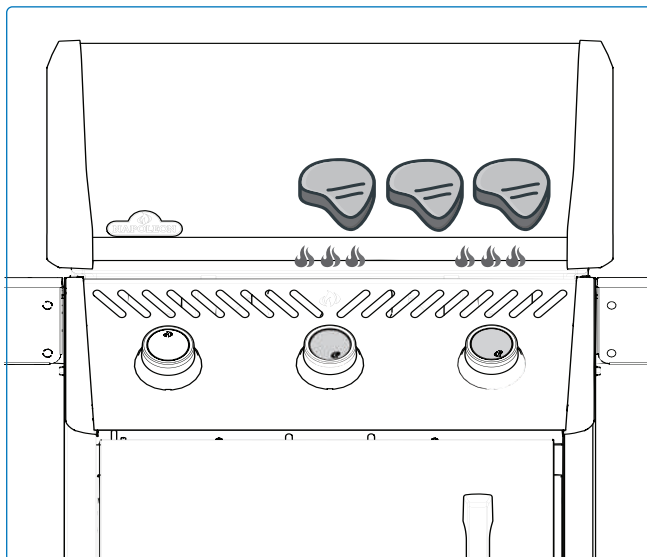


Fig. 13

Indirect Grilling

This method uses lower temperatures and indirect heat to cook food slowly and evenly. It's ideal for larger cuts of meat or foods prone to flare-ups, such as roasts, whole chickens, or turkeys.

Turn on one or more burners, and place the food on the cooking grid where there is no flame. Slow cooking at low temperatures helps produce more tender, flavorful results (**Fig 14**).

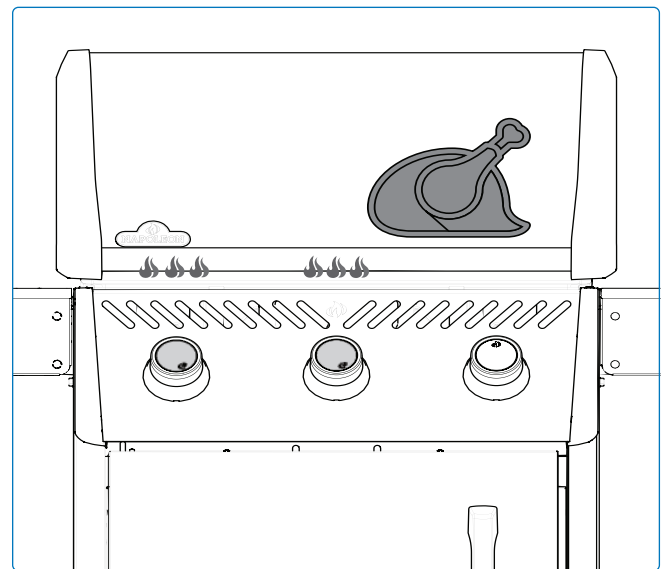


Fig. 14



GRILLING PRO TIP!

Add a Napoleon smoker accessory to your grill to flavour your meat.



GRILLING PRO TIP!

Use a thermometer to check the internal temperature of meat to ensure it is cooked perfectly.

Flame Side Burner (if equipped)

The flame side burner works like a stovetop and is ideal for making gravy, soups, or sauces. Use pots or pans no larger than 10" (25 cm) in diameter. For best performance, operate the burner in a location protected from wind.

Infra-red Side Burner (if equipped)

To use the side burner, follow the “**Infra-red Side Burner Lighting**” instructions. When set to high, the infrared heat provides an even surface for searing. Some models include a height-adjustable cooking grid for added control.



IMPORTANT!

- Do not cover more than 75% of the infrared burner surface with griddles or pans—you need adequate open area for proper combustion and heat flow.



DANGER!

- Never grill food directly on the flame side burner. It is designed for use with pots and pans only.
- Do not close side burner lid while it is operating or hot.
- Do not leave food unattended on any lit burners.
- Do not deep fry food on the side burner. Cooking with oil can be dangerous.
- Regularly clean grease out of the entire unit, including the grease tray and the sear plates, to avoid build-up and grease fires.

How to use the Rotisserie

Assembling Your Rotisserie Kit (if equipped)



NOTE: Remove the warming rack prior to using the spit rod. Extreme heat will damage the warming rack.

1. Install the rotisserie motor on the side of the grill using the mounting bracket(s). Some models have pre-mounted brackets.
2. Once the bracket has been fastened to the grill, slide the rotisserie motor onto the bracket.
3. Slide the first rotisserie fork just past the middle of the spit rod and tighten into place. Thread the meat onto the spit rod and push the meat into the fork. Slide the second rotisserie fork on the opposite end of the spit rod and push the fork into the meat until secure. Tighten the fork into place.
4. Carefully insert the pointed end of the spit rod into the rotisserie motor and set the opposite end across the hangers. The heavy side of the meat will naturally hang down to balance the load.
5. Slide the stop bushing onto the spit rod until it is past the inside of the hood. This will secure the side to side movement of the spit rod.
6. Tighten the stop bushing and spit rod handle. Place a metal dish under the meat to collect the drippings.



IMPORTANT!

- Always wear gloves when handling components of the grill.

Tips about using the Rotisserie:

- Operate the burners on high until the meat browns. Reduce heat. Keep lid closed.
- Use a thermometer to check the internal temperature of the meat.
- Roasts and poultry should brown on the outside and stay tender on the inside.
- Use drippings to baste and make gravy.
- A 3-pound chicken takes approximately 1 ½ hours on medium to high.
- Be mindful of your rotisserie motor capacity. Never overload your equipment.
- Be sure to always set an evenly balanced load on your rotisserie (**Fig 15**).

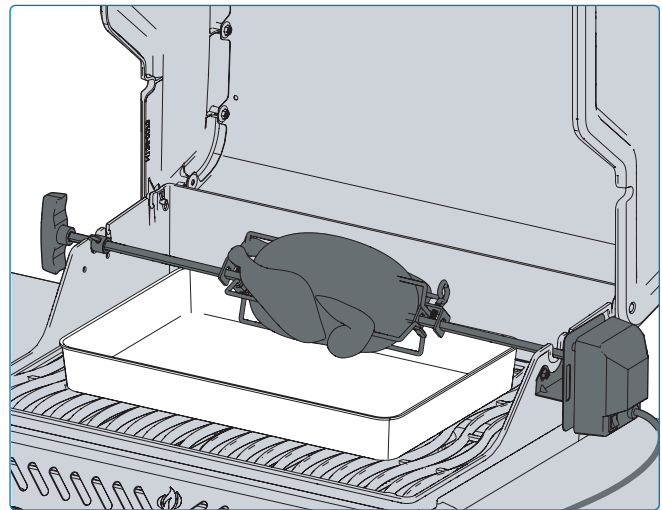


Fig. 15

How to Cook Multiple Chickens

1. Tie or skewer wings to the body of the chickens.
2. Slide rotisserie fork onto spit rod.
3. Thread first chicken onto spit rod until it is held into place by the rotisserie fork. Tighten.
4. Thread next 2 chickens onto spit rod so all the chickens are close together.
5. Slide second rotisserie fork onto spit rod and push into chicken until all 3 chickens are squeezed together tightly. Tighten (**Fig 16**).

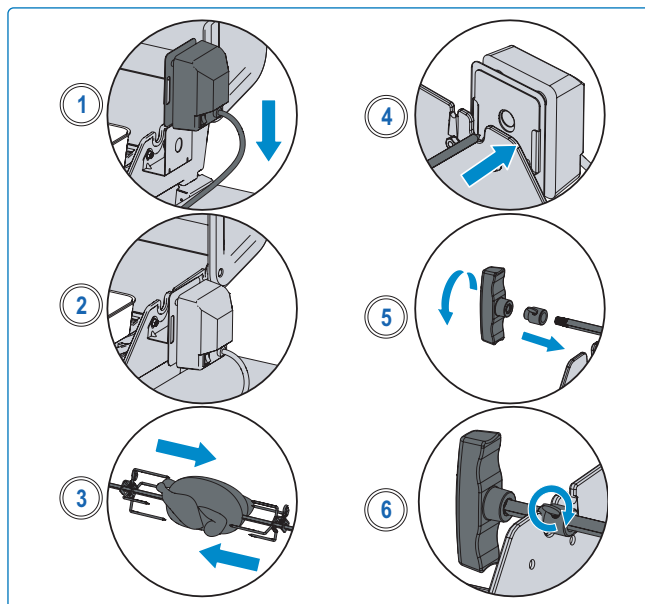


Fig. 16



WARNING!

- Disassemble rotisserie components when finished cooking, and the components have cooled, wash with warm soapy water, and store indoors.
- Never use a gas cylinder that is beyond 80% full.
- Use heat resistant grilling gloves when handling the hot rotisserie components.
- Disconnect rotisserie plug from the outlet when the grill is not in use.



DID YOU KNOW?

You can remove the cooking grids if they interfere with cooking larger cuts of meat, but ensure they are cool to the touch before handling.

The Cooking Experience Checklist

Refer to this list every time you cook

Read Owner's Manual

Make sure you have read the Owner's Manual and all safety instructions before operating your grill.

Clean Grease Tray

Always clean the grease tray before cooking to prevent fires and flare-ups..

Check the Hose

Ensure the appliance is off and cool. Inspect the hose for excessive wear, abrasions, or cuts. Replace it immediately if damaged—do not use a compromised hose.

Inspect for Leaks

Use a soapy water solution to check for gas leaks before first-time use and periodically after. Bubbles indicate a leak that needs immediate repair..

Preheat the Appliance

Coat the cooking grids with vegetable shortening or high-smoke-point oil. Preheat the grill to burn off residue and prevent sticking

- **Stainless steel grids:** Use a stainless steel brush. See “**Cleaning Instructions**” for more details.
- **Cast iron grids:** Clean with a brass wire brush.



NOTE:

Stainless steel cooking grids are corrosion-resistant and require less maintenance than cast iron grids.

Prep Area

Keep utensils, seasonings, sauces, and serving dishes within reach. A well-organized cooking area reduces stress and prevents accidents.

Never Leave Food Unattended

Unattended food can burn quickly. Stay nearby, especially when cooking fatty items.

Flip Once and Avoid Lifting the Lid

Opening the lid too often releases heat, affecting cooking time and temperature. For best results—especially with steaks and chicken—flip food only once..

Leave Space Between Foods

Allow enough room on the griddle or grill for air circulation and easier movement when turning or relocating food.

Use a Thermometer

Always use a food thermometer to ensure proper internal temperatures. This is especially important for poultry, ground meats, and seafood.

Avoid Overcrowding

Cooking too much at once lowers the temperature and results in uneven cooking.



RECOMMENDED OILS AND FATS

- Avocado Oil
- Safflower Oil
- Sunflower Oil
- Beef Tallow

If these are not available, choose another oil with a high smoke point. Do not use salted fats like butter or margarine.



COOKING PRO TIP!

Always preheat the grill before cooking to burn off leftover residue and prevent food from sticking to the grate.

How to Season Cast Iron Cooking Grids



CAUTION!

- This procedure **MUST** be completed before first use and repeated every 3–4 uses to keep the grids looking new.

Why Season Cast Iron Grids?

- **Rust protection:** Cast iron is porous and rusts easily—seasoning creates a protective barrier.
- **Non-stick performance:** Polymerized oil layers form a natural, food-release surface.
- **Flavor & longevity:** Enhances searing and grill flavor, extends lifespan by preventing corrosion.

Step-by-Step Instructions

1. Remove the cast iron grids from the grill.
2. Wash with warm, soapy water using a soft cloth. Rinse and pat dry. Let the grids dry completely.
3. Use a high-smoke-point oil. Apply a thin, even coat on all surfaces with a brush or towel.
4. Replace grids on grill at 176–204 °C (350–400 °F). Heat for 30–60 min.
5. Apply 1–2 more coats, reheating each time for best results.
6. The grids are now seasoned and ready to use.



NOTE:

If rust forms on the cast iron grids, remove it with a scouring pad or brass brush, then repeat the seasoning process.

Seasoning Best Practices

- **Apply thin oil layers only**
Too much oil can create a sticky residue. Wipe off excess before heating.
- **Repeat seasoning regularly.**
Do this every 3–4 uses to maintain a smooth, non-stick surface and prevent rust.
- **Use oils with high smoke points**
Good options: Avocado, Safflower Oil, Sunflower Oil, Beef Tallow. Avoid butter or margarine.
- **Avoid non-stick sprays.**
These often contain additives that can gum up the surface.
- **Soap is okay—just re-oil after washing**
Mild soap won't ruin your seasoning. Dry completely and apply oil after washing
- **Remove rust**
If rust forms, scrub it off with a scouring pad or brass brush, then re-season immediately.
- **Preheat before seasoning.**
Heating the grill slightly before applying oil helps the coating bond better.
- **Avoid seasoning on a cold grill.**
Cold metal won't absorb the oil properly — warm it up first for best results.
- **Inspect your grids before each use.**
If the surface looks dull or dry, apply a light coat of oil before cooking.
- **Store in a dry place.**
If storing long-term, apply a light oil coat and keep your grill covered to avoid moisture buildup.



WARNING!

- Regularly clean grease out of the entire unit, including the grease tray, to avoid build-up and grease fires.
- Do not leave food unattended.
- Dress Safely. Avoid loose clothing, long sleeves, and dangling accessories while cooking over an open flame.



COOKING PRO TIP!

Discover inspiring recipes and grilling techniques in Napoleon's cookbooks or at www.napoleon.com

Infrared Grilling Guide







Food	Control Knob Setting	Cooking Time	Suggestions
 Steak 1 inch (2.54 cm) thick.	HIGH 2 minutes each side	Rare – 4 minutes	Ask for marbled fat in cut. Fat is a natural tenderizer and keeps meat juicy.
	HIGH to MEDIUM High heat 2 minutes each side then turn to medium heat.	Medium – 6 minutes	
		Well Done – 8 minutes	
 Hamburger ½ inch (1.27 cm) thick	HIGH 2 minutes each side.	Rare – 4 minutes	Keep patties all the same thickness for equal cooking times. Patties 1 inch thick or more should be grilled using indirect heat.
	HIGH 2 ½ minutes each side.	Medium – 5 minutes	
	HIGH 3 minutes each side.	Well Done 6 minutes	
 Chicken	HIGH, MEDIUM, LOW 2 minutes each side then medium-low to low heat.	20 – 25 minutes	Slice joint connecting the thigh and leg $\frac{3}{4}$ through for the meat to lie flat on the burner and cook evenly.
 Pork Chops	MEDIUM	6 minutes each side	Choose thick cuts for more tender meat. Trim off excess fat.
 Spare Ribs	HIGH to LOW High for 5 minutes then low until finished.	20 minutes each side turning often	Choose lean meaty ribs. Grill until meat pulls easily from the bone.
 Lamb Chops	HIGH to MEDIUM High for 5 minutes then Medium until finished.	15 minutes each side	Choose thick cuts for more tender meat. Trim off excess fat.
 Hot dogs	MEDIUM to LOW	4 – 6 minutes	Select larger wieners and slit lengthwise before grilling.

Table 1

These are general guidelines. Please refer to the health authority recommendations for more detailed information.

Cleaning Instructions

First Time Use

1. Wash the cooking grids by hand using warm water and mild dish soap to remove any manufacturing residue. **Do not place** the grids in a dishwasher.
2. Rinse with hot water and dry thoroughly with a soft cloth to prevent rust (**Fig 17**).

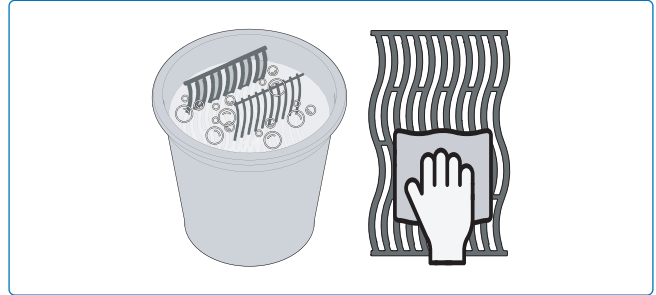


Fig. 17

Cast Iron Grids

- Season the grids before use to create a protective coating that helps prevent rust. For instructions, see “**How to Season Your Cast Iron Cooking Grids.**”

Stainless Steel Grids

- To clean, preheat the grill and use a wire brush to remove food residue (**Fig 18,19,20**)
- Discoloration is normal. Stainless steel grids will permanently darken over time due to high grilling temperatures.

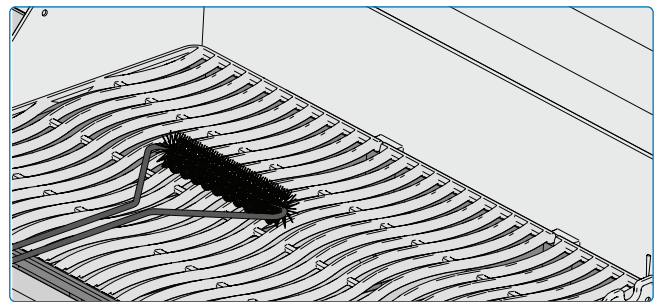


Fig. 18

Infra-red Side Burner

- Most drippings and food particles burn off immediately due to the burner’s intense heat.
- **Do not** clean the ceramic surface with a wire brush — it may cause damage.
- **Do not** use water or other liquids to clean the burner. Sudden temperature changes can crack the ceramic tile.
- **To clean:** Turn on the burner and run it on high for 5–10 minutes to incinerate any remaining residue.

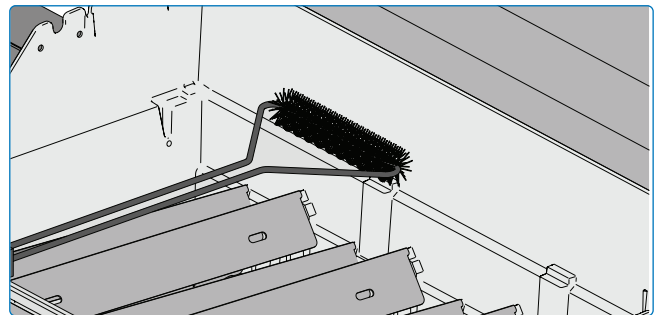


Fig. 19

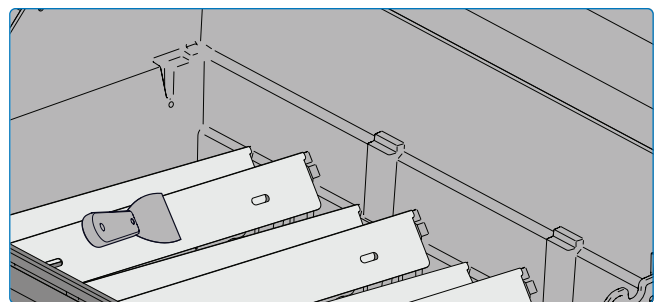


Fig. 20



DANGER!

- Always wear protective gloves and safety glasses when cleaning your grill.
- Accumulated grease is a fire hazard.
- Cleaning should only be done when the grill is cool to avoid the possibility of burns.

Inside of the Grill

1. Remove the cooking grids.
2. Use a brass wire brush to clean loose debris from the sides and underside of the lid..
3. Scrape the sear plates with a putty knife or scraper. Use a wire brush to remove any ash.
4. Remove the sear plates and brush debris from the burners using a wire brush.
5. Sweep all remaining debris from inside the grill into the drip pan (**Fig 21,22**).

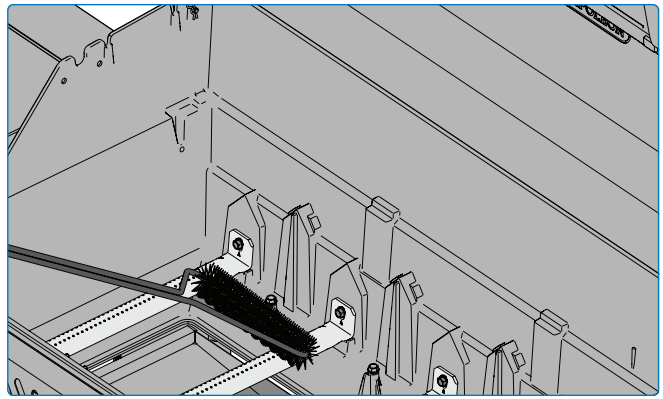


Fig. 21

Porcelain Enamel

Avoid chipping or scratching the porcelain coat on the sear plates and drip pan, as this might compromise corrosion resistance. Use plastic putty knives or scrapers when cleaning porcelain parts.

Drip Pan

Every grill head, side burner and drop-in burner includes a dedicated drip pan, accessible through the cabinet doors or designated openings.

- Grease and drippings collect in the drip pan beneath the grill and may flow into a disposable grease tray below (if equipped).
- Only use Napoleon-approved liners in the drip pan. **Do not** use aluminum foil, sand, or any unapproved materials, as this can block proper grease flow.
- Clean the drip pan every 4–5 uses to prevent grease buildup (**Fig 23**).

Cleaning steps:

1. Slide out the drip pan to access the disposable grease tray or for cleaning.
2. Scrape out grease using a putty knife or scraper.

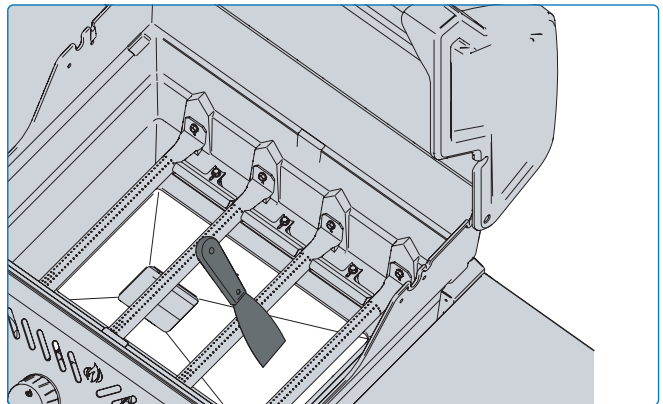


Fig. 22

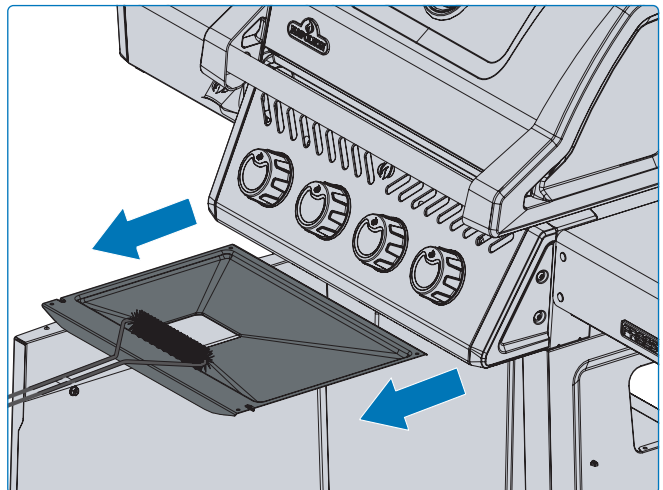


Fig. 23



WARNING!

- Ensure all burners are turned off and grill is cool before cleaning. Do not use oven cleaner to clean any part of the grill.
- Do not put cooking grids or any other parts of the grill in a self-cleaning oven to clean. Clean the grill in an area where cleaning solution won't harm decks, lawns, or patios.
- Barbecue sauce and salt can be corrosive and will cause rapid deterioration of the grill components unless cleaned regularly.

3. Replace the disposable grease tray every 2–4 weeks, depending on usage (if applicable).
4. For supplies, contact your Napoleon dealer.

Control Panel

Clean with **warm soapy water and a soft cloth only**. Avoid abrasive cloths or harsh cleaners, which can wear off the printed text. **Test on a small hidden area first** to ensure safe cleaning.

- Stainless steel parts will discolor over time from heat, developing a golden or brown hue. This is normal and does not affect grill performance (**Fig 24**).

Aluminum Castings

Clean with warm soapy water. While aluminum doesn't rust, exposure to high heat and weather can cause surface oxidization, which may appear as white spots. See "**Maintenance Instructions**" for tips on preventing oxidization.

Exterior Grill Surface

- Use a non-abrasive cleaner only. Abrasive products or steel wool can scratch the finish.
- Always wipe in the direction of the grain.
- Handle porcelain enamel components with care.
- The enamel finish is glass-like and may chip if struck.

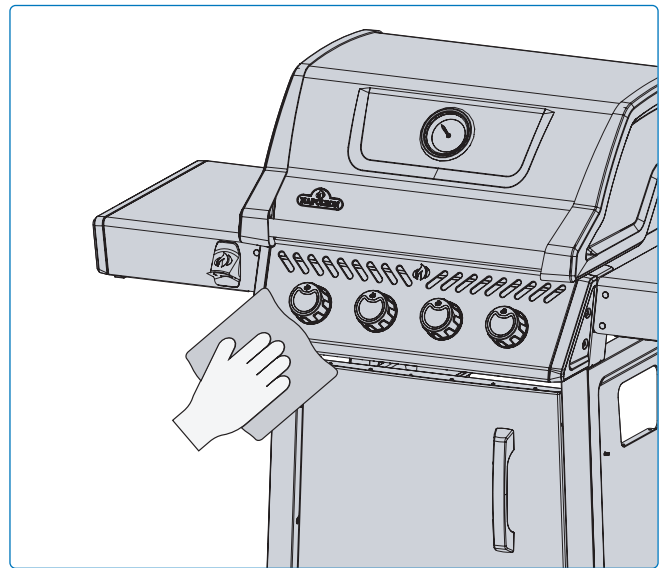


Fig. 24

DANGER!

- Avoid contact with hot surfaces.
- Do not use abrasive cleaners or steel wool on painted, porcelain, or stainless steel parts. These materials will scratch and damage the finish.



SAFETY FIRST!

Always wear protective gloves and safety glasses when servicing the grill.

Insect Screen and Burner Ports

Spiders and insects are drawn to small, enclosed spaces. While Napoleon burners include an insect screen on the air shutter to help prevent nests, it does not eliminate the risk. Nests or webs can cause the flame to burn yellow or orange and may lead to fire or flashback near the air shutter under the control panel.

Follow these steps to clean and maintain the burner:

1. Remove the Burner:

- Unscrew the burner from the back wall of the grill. Slide the burner back and upwards to remove.

2. Clean the Burner:

- Clean the inside of the burner using a flexible venturi tube brush or, for delicate areas, a soft bristled brush to gently remove debris (**Fig 25**).
- Shake out any loose debris through the gas inlet.
- Inspect the burner ports and valve orifices for blockages. Debris and corrosion can clog them over time.



DANGER!

- When reinstalling the burner after cleaning, make sure the valve or orifice is fully inserted into the burner tube. Failure to do so can cause a fire or explosion.

3. Clear Blocked Ports

- Use a straightened paper clip or the supplied port maintenance bit to clear clogged burner ports.
- If needed, carefully drill out blocked ports with the supplied drill bit using a small cordless drill.



NOTE:

This bit is for burner ports only. Do not use it on brass orifices.

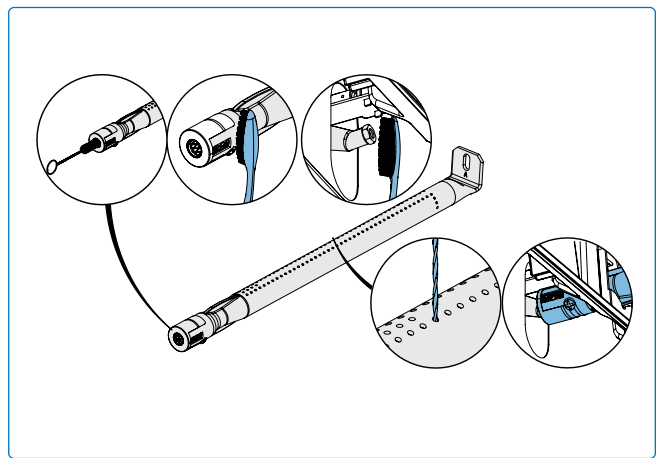


Fig. 25



IMPORTANT!

- Do not bend the bit while drilling—this may cause it to break. Do not enlarge the port holes.

4. Inspect the Insect Screen:

- Make sure the screen is clean, secure, and free from lint or debris.

5. Reinstall the Burner:

- Ensure the valve enters the burner when installing.
- Replace sear plate mount and tighten screws to complete re-installation.

Maintenance Instructions

Recommendations

This grill should be thoroughly inspected and serviced annually by a qualified service person.

- Do not block airflow for ventilation or combustion.
- Keep the ventilation openings clear of debris. These are located on the sides of the cart or enclosure, and on the front and back of the bottom shelf.

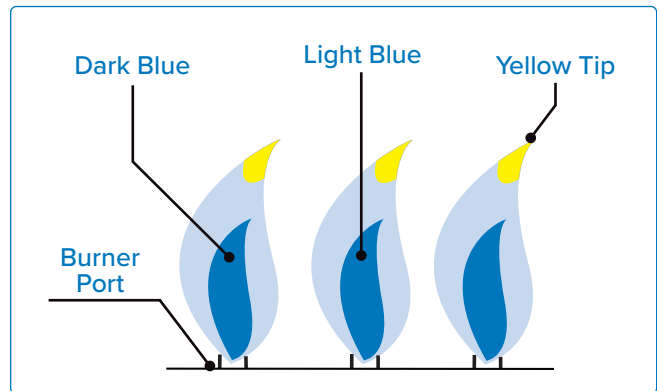


Fig. 26

Combustion Air Adjustment



IMPORTANT!

- This must be done by a qualified service person.

- The air shutter is factory set and typically does not require adjustment under normal conditions. Adjustment may only be necessary in extreme conditions.
- When properly adjusted, the flame should appear dark blue with light blue tips, and may have occasional yellow flickers.
- Too little air will cause yellow, sooty, lazy flames (**see Fig 26**).
- Too much air can cause the flame to lift or blow out, leading to ignition issues.



WARNING!

- Keep the grill clear of combustible materials and all flammable liquids or vapors, including gasoline.

Adjusting the Air Shutter

1. Remove the cooking grids and sear plates. Keep the lid open for ventilation.
2. Open the cabinet door or remove the top drawer (if equipped) to reach the air shutter screw located at the burner opening. For rear tube burners, remove the back cover to access the shutter.
3. Remove the back cover to adjust rear tube burner air shutter.
4. Loosen the air shutter locking screw. Open or close the shutter as needed to achieve proper flame (**Table 2**).
5. Light the burners and set them to high. Inspect the flame. A proper flame should be mostly blue with a small yellow tip..
6. Turn off the burners. Tighten the locking screw. Reinstall any removed parts. Ensure the insect screens are properly installed.



NOTE:

Infrared burners have no air adjustment.

Air Shutter Settings						
		Main Burner			Flame Side Burner	Infrared Side Burner
		FL365	F365	F425		
Orifice Size	Propane	1.10mm	#62	#64	#65	#63
	Natural Gas	#52	#54	1.27mm	1.25mm	#55
Air Shutter	Propane	Open	0.500"	0.500"	Open	-
	Natural Gas	3/8"per side	0.375"	0.500"	Open	-
Heat Output (BTU/h)		15000	11000	9500	9000	10000

Table 2

Stainless in Harsh Environments

Stainless steel oxidizes or stains in the presence of chlorides and sulfides, especially in coastal regions, warm and highly humid areas, and around pools and hot tubs. These stains look like rust, but they can be easily removed or prevented. Wash stainless and chrome surfaces every 3-4 weeks. Clean with warm soapy water.

Burner Maintenance

Extreme heat and a corrosive environment can cause surface corrosion to occur even though the burner is made from heavy wall 304 stainless steel.

Maintenance and Protection of Infra-red Burners

Your Infra-red burners are designed to provide a long service life, but you must be careful to prevent cracking of their ceramic surfaces. Fractures will cause the burners to malfunction.



IMPORTANT!

- Damage resulting from by failure to follow these instructions is NOT covered by your grill warranty.

Clearance Ventilation of Hot Air

- Hot air must have a way to escape the grill for the burners to function properly.
- The burners can become deprived of oxygen if the hot air is not allowed to escape causing them to back-flash. The ceramic can crack if this occurs repeatedly.

Steps to Avoid Damaging Ceramic Surfaces

1. Never douse a flame or control flare-ups with water (**Fig. 27**)
2. Do not allow cold water (rain, sprinkler, hose etc.) to come in contact with hot ceramic burners. An immediate change in temperature will cause cracking of the ceramic tile.
3. A ceramic burner that becomes wet before use will create steam when operated later and produce pressure that will crack the ceramic.
4. Repeated soaking of the ceramic can cause it to swell and expand producing pressure that will make the ceramic crack and crumble.
5. Inspect the ceramic for possible water soaking if you find standing water in the grill. Remove the burner if the ceramic is wet. Turn it upside down to drain the excess water. Bring ceramic indoors to dry thoroughly.
6. Do not allow hard objects to impact the burner. Take care when inserting or removing cooking grids and using accessories.

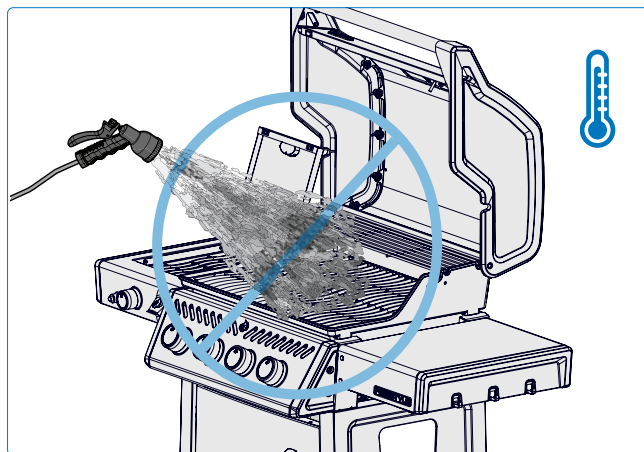


Fig. 27



DANGER!

- Turn off gas at the source and disconnect the unit before servicing.
- Maintenance should only be done when the grill is cool to avoid the possibility of burns.
- A leak test must be performed annually and when any component of the gas train is replaced, or when the smell of gas is present.



SAFETY FIRST!

Never cover more than 75% of any main or side burner cooking surface with any solid metal (e.g. griddles or pans)

Troubleshooting

Lighting Problems

- Main, rear or side burners will not light with the igniter, but will light with a match.
- Burners will not cross light each other.

	Possible causes	Solution
Main Burner	JETFIRE™ outlet is dirty or clogged.	Clean JETFIRE™ outlet with a soft bristle toothbrush.
	Dirty or corroded cross light brackets.	Clean or replace as required.
Rear and Side Burners	Lifting flames on burner.	Close air shutter according to “ Maintenance Instructions ” Combustion Air Adjustment section in this Owner’s Manual. IMPORTANT! This must be done by a qualified gas installer.
	Loose electrode wire or switch terminal wires.	Check electrode wire is firmly pushed onto the terminal on the back of the igniter. Check the lead wires from the module to the ignition switch (if equipped) are firmly pushed onto their respective terminals.
	Dead battery, or installed incorrectly.	Replace with premium heavy- duty battery.

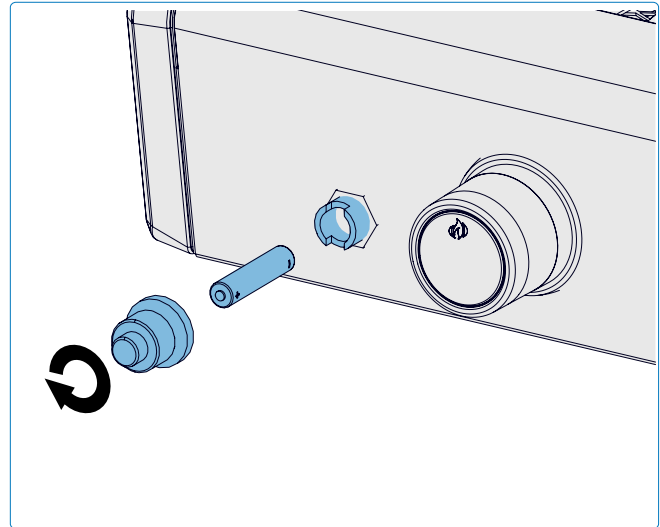


Fig. 28



REGISTER YOUR GRILL!

Go to napoleon.com or your Assembly Guide for replacement parts instructions.



WE WANT TO HELP!

Napoleon is here to ensure your grilling experience is memorable. Contact us if you require additional help.

Noises and Flare-ups

- Humming regulator.
- Excessive flare-ups and uneven heat.

Possible causes	Solution
Normal humming noise on hot days.	This isn't a defect. It's caused by internal vibrations in the regulator and doesn't affect the performance or safety of the grill. Humming regulators WILL NOT be replaced.
The cylinder valve was opened too quickly.	Open cylinder valve slowly.
Sear plates installed incorrectly.	Ensure sear plates are installed with holes towards the front, and the slots on the bottom. See Assembly Instructions Guide.
Improper heating.	Preheat grill with all main burners on high for 10 to 15 minutes.
Excessive grease and ash build-up on sear plates and in drip pan.	Clean sear plates and drip pan regularly. Do not line pan with aluminum foil. Refer to " Cleaning Instructions " for details.

Gas Flow

- Low heat or low flame when valve is turned to **HIGH**.
- Burners burn with yellow flame, accompanied by the smell of gas.
- Flames lift away from burner, accompanied by the smell of gas, and possible lighting difficulties.
- Burner output on **HIGH**, but setting is **LOW**. Rumbling noise and fluttering blue flame at burner surface.

Possible causes	Solution
Propane – improper lighting procedure	Ensure lighting procedure is followed carefully. All gas valves must be in the OFF position when the tank valve is turned on. Turn tank on slowly to allow pressure to equalize. See Operation – " Lighting Instructions " for details.
Natural gas – undersized supply line.	Pipe must be sized according to installation code.
Leaking gasket surrounding the ceramic tile, or a weld failure in the burner housing.	Allow burner to cool and inspect very closely for cracks. Contact your authorized Napoleon dealer to order replacement burner assembly if any cracks are found.
Both gas propane and natural gas – improper preheating.	Preheat grill with both main burners on HIGH for 10 to 15 minutes.

Possible causes	Solution
Possible spider web or other debris.	Thoroughly clean nest or webs out of your burner orifice by removing it and following instructions in this manual. See " Insect Screen and Burner Ports " for details.
Improper air shutter adjustment.	Open or close air shutter slightly according to this manual. See " Maintenance Instructions ". IMPORTANT! This must be done by a qualified gas installer.
Lack of gas.	Check gas level in gas cylinder.
Supply hose is pinched.	Reposition supply hose as necessary.
Gas pressure regulator in low flow state.	Turn the burners off and close the tank valve, wait 5 minutes before fully re-opening the valve, allow a few seconds for the pressure to equalize before following the Lighting Instructions to start the grill. Ensure igniting procedure is followed carefully every time you cook. All gas valves must be OFF when the tank valve is turned on. Always open the tank valve slowly.

Peeling Paint

- Paint appears to be peeling inside lid or hood.

Possible causes	Solution
Grease build-up on inside surfaces.	This is not a defect. The lid and hood are finished with porcelain or stainless steel, which will not peel. What appears to be peeling is actually hardened grease that dries into paint-like flakes. Regular cleaning will prevent this buildup. See " Cleaning Instructions " for details.

Infra-red Burner Flashes Back

- During operation the burner abruptly makes a loud whoosh sound, followed by a continuous blow-torch type sound and grows dim or has a large flame on start up.

Possible causes	Solution
Ceramic tiles overloaded with grease drippings and build-up. Ports are clogged.	Turner burner OFF and allow to cool for at least 2 minutes. Reignite burner and burn on HIGH for at least 5 minutes, or until the ceramic tiles are evenly glowing red.
Burner overheated because of or due to ventilation. Too much grill surface covered by griddle or pan.	Ensure no more than 75% of the grill surface is covered by objects or accessories. Turn burner OFF and allow to cool for at least 2 minutes. Reignite.
Leaking gasket surrounding the ceramic tile, or a weld failure in the burner housing.	Allow burner to cool and inspect very closely for cracks. Contact your authorized Napoleon dealer to order replacement burner assembly if any cracks are found.
Improper heating.	Preheat grill with both main burners on high for 10 to 15 minutes.
Excessive grease and ash build on sear plates and in drip pan.	Clean sear plates and drip pan regularly. Do not line pan with aluminum foil. Refer to " Cleaning Instructions ".

NAPOLEON® 10 YEAR WARRANTY

For REBEL® Models

Napoleon® products are designed with superior components and materials and are assembled by trained craftsmen who take great pride in their work. The burner and valve assembly are leak tested and test-fired at a quality test station. This grill has been thoroughly inspected by a qualified technician before packaging and shipping to ensure that you, the customer, receive the quality product you expect from Napoleon®.



Thank you for purchasing a Napoleon® product. Napoleon® (Wolf Steel Ltd,® Barrie, ON, Canada) warrants that the components in your new Napoleon® product will be free from defects in material and workmanship from the date of purchase, for a period of 10 years.

Hood.....	10 Years
Porcelain Enamel Lid.....	10 Years
Aluminum Castings.....	10 Years
Stainless Steel Tube Burners	10 Years
Porcelain Enamel Sear Plates	10 Years
Porcelain Enamel Cast Iron Grids	10 Years
Infrared Side Burner	10 Years
All Other Parts.....	10 Years

WARRANTY CONDITIONS AND LIMITATIONS

This voluntary warranty creates a 10 year warranty period, for products purchased through an authorized Napoleon® dealer, and entitles the original purchaser (or gift recipient in the case where a new product is given as a gift) to the specified coverage in respect of any component replaced within the warranty period, either by Napoleon® or an authorized Napoleon® dealer, to replace a component of such product that has failed in normal private use as a result of a manufacturing defect. This warranty does not cover accessories or bonus items.

For greater certainty, “normal private use” of a product means that the product: has been installed (where applicable) by a licensed, authorized service technician or contractor, in accordance with the installation instructions included with the product and all local and national building and fire codes; has been properly cleaned and maintained according to the instructions; and has not been used as a communal amenity or in a commercial application. In the case of use in communal or commercial applications (where approved), the warranty is reduced to a period of two (2) years.

Similarly, “failure” does not include: damage caused by over-firing, blow outs caused by environmental conditions such as strong winds or inadequate ventilation, scratches, dents, corrosion, deterioration of painted and plated finishes, discoloration caused by heat, abrasive or chemical cleaners or UV exposure, chipping of porcelain enameled parts, or damages caused by misuse, accident, hail, grease fires, lack of cleaning and maintenance, hostile

environments such as salt or chlorine, alterations, abuse, neglect or parts installed from other manufacturers. If you live in a coastal area, or have your product located near a pool or hot tub, maintenance includes regular washing and rinsing of the exterior surfaces as outlined in the accompanying owner’s manual, in order to prevent surface corrosion. Should deterioration of parts occur to the degree of non-performance (rusted through or burnt through) within the duration of the warranted coverage, a replacement part will be provided. Parts replaced under this warranty are warranted only for the balance of the above mentioned original ten (10) year warranty period.

The replacement component is the sole responsibility of Napoleon® defined by this warranty; in no event will Napoleon® be responsible for installation, labor or any other costs or expenses related to the re-installation of a warranted part, for any incidental, consequential or indirect damages, or for any handling and transportation charges or export duties.

The use and/or installation of parts on your Napoleon® product that are not genuine Napoleon® parts will void this warranty, and any damages that result hereby are not covered by this warranty. Any conversion of a gas grill not authorized by Napoleon® and performed by a Napoleon® authorized service technician will void this warranty.

NAPOLEON®

CELEBRATING OVER 40 YEARS
OF DELIVERING HOME COMFORT PRODUCTS



NAPOLEON® products are protected by one or more U.S. and Canadian and/or foreign patents or patents pending.

Les produits de NAPOLEON® sont protégés par un ou plusieurs brevets américains, canadiens et/ou étrangers au par des brevets en instance.

Los productos NAPOLEON® están protegidos por una o más patentes o patentes pendientes en E.U., Canadá y/u otros países.



Address

Wolf Steel Ltd.

24 Napoleon Road, Barrie,
Ontario, L4M 0G8 Canada

103 Miller Drive, Crittenden,
Kentucky, 41030, USA

7200 Trans Canada Highway,
Montreal, Quebec H4T 1A3,
Canada



Phone

Canada

1-866-820-8686

Online

✉ grills@napoleon.com

🌐 www.napoleon.com



FR

REBEL[®]

Manuel du propriétaire

RBL2, RBL3, RBL4

Les barbecues illustrés dans ce manuel peuvent différer du modèle acheté.



Nous voulons vos commentaires !

Visitez Napoleon.com pour écrire un commentaire



Appliquer le numéro de série

FÉLICITATIONS POUR VOTRE BARBECUE NAPOLEON®!

Vous venez d'améliorer votre expérience de grillade.



NOTRE OBJECTIF EST DE RENDRE VOTRE EXPÉRIENCE CULINAIRE À LA FOIS MÉMORABLE ET SÛRE.

🔥 Veuillez lire ce manuel d'utilisation avant d'utiliser l'appareil afin d'éviter tout dommage matériel, blessure corporelle ou décès.

🔥 Retirez tous les matériaux d'emballage, les étiquettes promotionnelles et les cartes du barbecue avant de l'utiliser.

UTILISER À L'EXTÉRIEUR DANS UN ESPACE BIEN VENTILÉ.

⚠️ DANGER ! ⚠️

SI VOUS SENTEZ UNE ODEUR DE GAZ :

- Coupez le gaz de l'appareil.
- Éteignez toute flamme nue.
- Ouvrez le couvercle.
- Si l'odeur persiste, éloignez-vous de l'appareil et appelez immédiatement votre fournisseur de gaz ou les pompiers.

⚠️ AVERTISSEMENT ! ⚠️

N'essayez pas d'allumer cet appareil sans avoir lu la section "ALLUMAGE" de ce manuel.

Ne stockez pas et n'utilisez pas d'essence ou d'autres liquides ou vapeurs inflammables à proximité de cet appareil ou de tout autre appareil.

Une bouteille de GPL (propane) non raccordée pour utilisation ne doit pas être stockée à proximité de cet appareil ou de tout autre appareil.

Si les informations contenues dans ces instructions ne sont pas suivies à la lettre, un incendie ou une explosion peut survenir et causer des dommages matériels, des blessures corporelles ou la mort.



Avertissez les adultes et les enfants du danger des températures de surface élevées.



Surveillez les jeunes enfants à proximité du gril intégré.

AVIS A L'INSTALLATEUR : Laissez ces instructions au propriétaire du gril intégré pour qu'il puisse s'y référer ultérieurement.

AVIS AU CONSOMMATEUR : Conservez ces instructions pour vous y référer ultérieurement.

Bienvenue chez Napoléon !

La sécurité avant tout

ATTENTION !

Informations générales

Ce barbecue doit être installé conformément aux codes locaux. En l'absence de codes locaux, installez l'appareil conformément au code CSA B149.1 en vigueur au Canada pour l'installation de gaz naturel et de propane, ou au code ANSI Z223.1/NFPA 54 aux États-Unis.

Si un moteur de rôtissoire est utilisé, il doit être mis à la terre conformément aux codes locaux. En l'absence de codes locaux, suivez le Code canadien de l'électricité CSA C22.1 en vigueur au Canada ou le Code national de l'électricité ANSI/NFPA 70 aux États-Unis.

ATTENTION !

Installation et assemblage

Assemblez ce barbecue exactement comme indiqué dans le guide d'assemblage. Si le barbecue a été assemblé en magasin, consultez les instructions d'assemblage pour vous assurer qu'il a été correctement monté.

Ne pas installer dans ou sur des véhicules récréatifs et/ou des bateaux.

Effectuez le test d'étanchéité requis avant d'utiliser le barbecue.

Ne modifiez en aucun cas ce barbecue.

N'utilisez pas de bouteille qui n'est pas équipée d'un raccord de type QCC1.

Utilisez uniquement le régulateur de pression et le tuyau fournis avec ce barbecue ou des pièces de rechange spécifiquement recommandées par Napoleon.

ATTENTION !

Stockage et mise hors service

Fermez le gaz au niveau de la bouteille de gaz ou du robinet d'alimentation en gaz naturel. Débranchez le tuyau reliant la bouteille de gaz au barbecue. Retirez la bouteille de gaz et rangez-la à l'extérieur dans un endroit bien ventilé, hors de portée des enfants.

NE PAS stocker les bouteilles de gaz dans un bâtiment, un garage, une remise ou tout autre espace clos. Débranchez le raccordement au gaz naturel de l'alimentation lorsque vous rangez le barbecue à l'intérieur.

ATTENTION !

Opération

Lisez l'intégralité du manuel d'utilisation avant d'utiliser ce barbecue. Testez l'étanchéité du système de gaz avant la première utilisation, chaque fois que la bouteille est remplacée/rechargée, lorsque tout raccordement au gaz est reconnecté ou réparé, ou chaque fois que vous sentez une odeur de gaz ou constatez des dommages. Suivez attentivement les instructions d'allumage.

ATTENTION !

Proposition 65 de la Californie

Ce produit peut vous exposer à des produits chimiques, y compris la suie, qui sont reconnus par l'État de Californie comme causant le cancer, et à des produits chimiques, y compris le monoxyde de carbone, qui sont reconnus par l'État de Californie comme causant des malformations congénitales ou d'autres problèmes de reproduction. Pour plus d'informations, rendez-vous sur www.P65Warnings.ca.gov.

CONTENU

Bienvenue chez Napoléon !	39
La sécurité avant tout	39
Caractéristiques complètes du système	41
Pratiques supplémentaires pour une utilisation en toute sécurité	42
Emplacement de votre gril	44
Raccordements au gaz	45
Test d'étanchéité	47
Fonctionnement	48
Allumage du barbecue	48
Instructions de cuisson	50
Comment utiliser la rôtissoire	52
Liste de contrôle de l'expérience culinaire	54
Comment assaisonner les grilles de cuisson en fonte	55
Guide de grillade infrarouge	56
Instructions de nettoyage	57
Première utilisation	57
Grilles en fonte	57
Grilles en acier inoxydable	57
Brûleur latéral infrarouge	57
Intérieur du gril	58
Émail porcelaine	58
Bac de récupération	58
Panneau de contrôle	59
Pièces moulées en aluminium	59
Surface extérieure du gril	59
Moustiquaire et orifices des brûleurs	60
Instructions d'entretien	61
Recommandations	61
Réglage de l'air de combustion	61
L'acier inoxydable dans les environnements difficiles	63
Dépannage	64
Garantie	71

Caractéristiques complètes du système

Thermomètre

ACCU-PROBE™ pour lire facilement la température et obtenir des résultats parfaits.

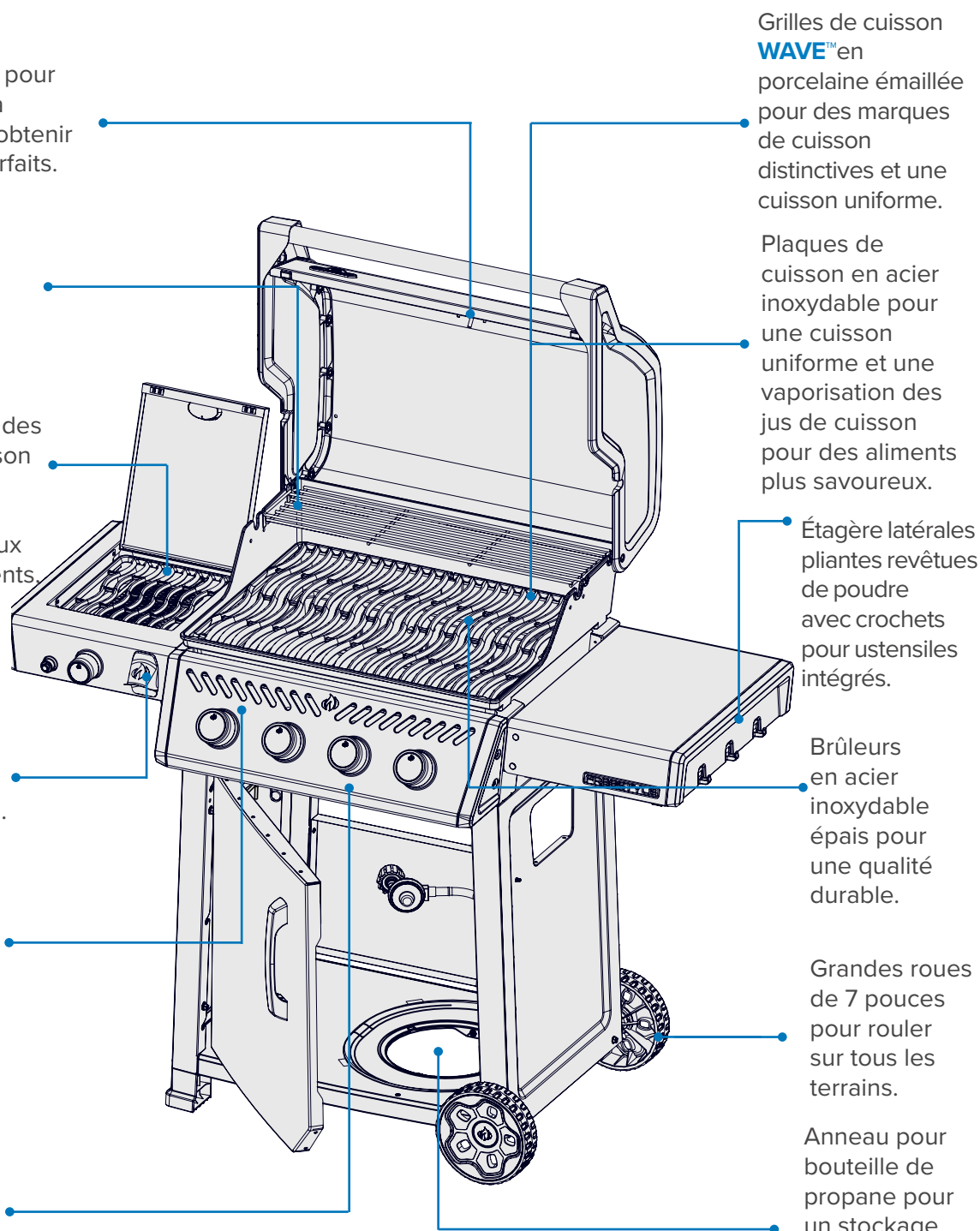
Grande grille de réchauffage chromée pour une surface de cuisson accrue.

Brûleur latéral infrarouge pour des options de cuisson polyvalentes permettant de créer de délicieux accompagnements, sauces et plus encore.

Ouvre-bouteille intégré à proximité de la zone de cuisson.

Allumage instantané **JETFIRE™** pour un démarrage rapide et facile.

Bac d'égouttement facile d'accès pour un entretien efficace.



Grilles de cuisson **WAVE™** en porcelaine émaillée pour des marques de cuisson distinctives et une cuisson uniforme.

Plaques de cuisson en acier inoxydable pour une cuisson uniforme et une vaporisation des jus de cuisson pour des aliments plus savoureux.

Étagères latérales pliantes revêtues de poudre avec crochets pour ustensiles intégrés.

Brûleurs en acier inoxydable épais pour une qualité durable.

Grandes roues de 7 pouces pour rouler sur tous les terrains.

Anneau pour bouteille de propane pour un stockage stable de la bouteille.



Les grils illustrés dans ce manuel d'utilisation peuvent différer du modèle que vous avez acheté.
Modèle présenté : FREESTYLE PROSIB.

Pour commencer



DANGER!

Signale un risque qui peut entraîner un incendie, une explosion, la mort ou des blessures physiques graves.



AVERTISSEMENT !

Signale un danger pouvant entraîner des blessures physiques mineures ou des dommages matériels.



Ne fumez pas lorsque vous effectuez un test d'étanchéité au gaz. Les étincelles ou les flammes peuvent provoquer un incendie, une explosion, des dégâts matériels, des blessures physiques graves ou la mort.



N'utilisez jamais une flamme nue pour vérifier s'il y a des fuites de gaz. Les étincelles ou les flammes peuvent provoquer un incendie, une explosion, des dégâts matériels, des blessures physiques graves ou la mort.



ATTENTION ! Surface chaude.



Fermez immédiatement l'alimentation en gaz et débranchez-la.



Porter des lunettes de sécurité.



Porter des gants de protection.



Informations importantes.

Pratiques supplémentaires pour une utilisation en toute sécurité

- N'acheminez pas le tuyau sous la lèche-frite. Maintenez un espace suffisant entre le tuyau et le fond de l'appareil.
- Assurez-vous que les plaques de sécurité sont correctement positionnées conformément aux instructions d'installation des plaques de sécurité.
- Les commandes des brûleurs doivent être éteintes lorsque le robinet de la bouteille de gaz est ouvert.
- N'allumez pas les brûleurs lorsque le couvercle est fermé.
- Ne fermez pas le couvercle du brûleur latéral lorsqu'il est en marche ou chaud.
- Ne faites pas frire d'aliments sur le brûleur latéral.
- Ne réglez pas les grilles de cuisson pendant le fonctionnement ou lorsqu'elles sont chaudes.
- Ne pas déplacer l'appareil pendant son utilisation.
- Couper l'alimentation en gaz à la source après utilisation.
- Ne pas modifier l'appareil.
- L'entretien ne doit être effectué que lorsque le gril est froid.
- Ne rangez pas d'allume-feu, d'allumettes ou tout autre produit inflammable à l'intérieur du boîtier ou du plateau à condiments.
- Tenez tous les cordons d'alimentation électrique et les tuyaux d'alimentation en combustible à l'écart de toutes les surfaces chauffées.
- Nettoyez régulièrement le bac à graisse, le bac d'égouttement et les plaques de cuisson afin d'éviter toute accumulation et tout risque d'incendie.

- Ne laissez pas l'eau froide (pluie, arroseur, tuyau d'arrosage, etc.) entrer en contact avec le gril chauffé. Un changement de température soudain pourrait ébrécher la porcelaine et fissurer les brûleurs en céramique.
- N'utilisez pas de nettoyeur haute pression pour nettoyer une partie quelconque du barbecue.
- Ne placez pas ce gril à un endroit où il pourrait être exposé à des vents violents, en particulier lorsque le vent souffle directement derrière le gril.
- Ne pas faire fonctionner l'appareil sous une construction combustible.
- Ne couvrez jamais plus de 75 % de la surface de cuisson.
- Cet appareil doit être tenu à l'écart des matériaux inflammables lorsqu'il est utilisé.
- Maintenez toujours une distance de sécurité appropriée par rapport aux matériaux inflammables : 610 mm à l'arrière de l'appareil et 178 mm sur les côtés.
- Un espace supplémentaire de 610 mm (24 pouces) est recommandé à proximité des revêtements en vinyle ou des vitres.
- La température ambiante minimale pour une utilisation sécuritaire de l'appareil est de 0 °F (-17,8 °C).



AVERTISSEMENT

- Le raccordement et l'installation du gaz et du tuyau doivent être effectués par un installateur de gaz agréé, et un test d'étanchéité doit être réalisé avant d'utiliser le barbecue.
- Assurez-vous que les tuyaux n'entrent pas en contact avec les surfaces à haute température du barbecue.
- Les parties accessibles peuvent être très chaudes. Tenez les jeunes enfants à l'écart.

Emplacement de votre grill

Assurez-vous que l'emplacement de votre barbecue à gaz respecte toutes les exigences de dégagement par rapport aux matériaux combustibles adjacents. Cet appareil est destiné à être utilisé sur une terrasse ou dans votre jardin.

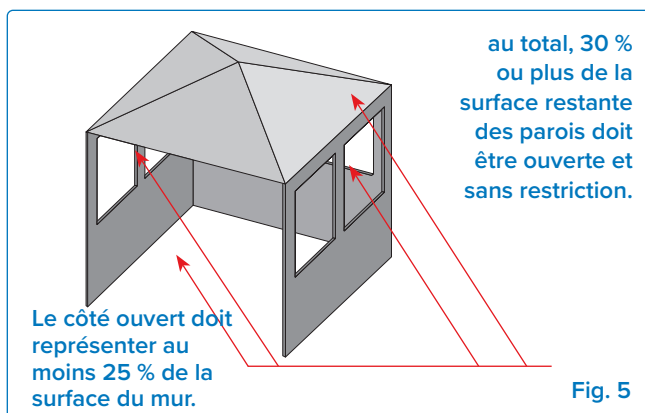
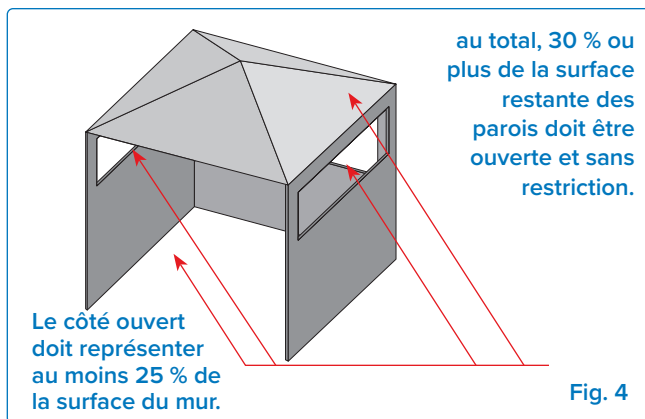
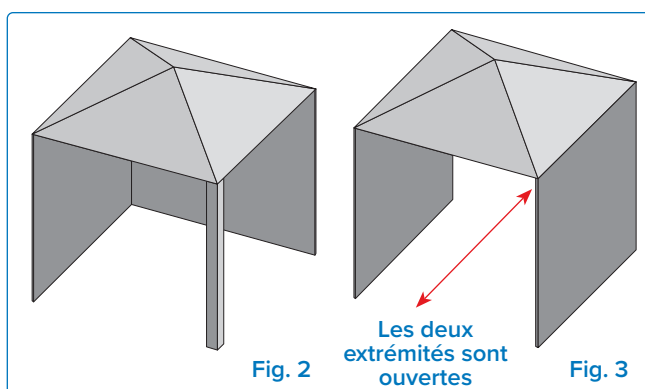
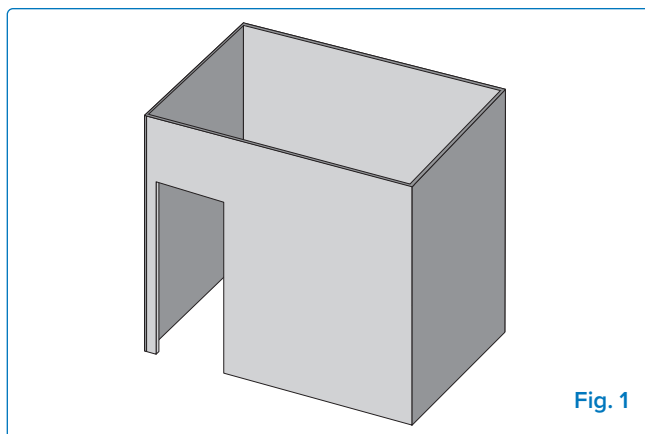
- N'utilisez l'appareil que dans un endroit hors sol, à l'air libre, avec une ventilation naturelle et sans zones stagnantes. Veillez à ce que les fuites de gaz et les produits de combustion soient rapidement dispersés par le vent et la convection naturelle.
- N'utilisez pas l'appareil dans un bâtiment, un garage ou tout autre espace clos.
- Ne pas intégrer l'appareil dans une construction encastrée ou coulissante.
- Ne pas obstruer les ouvertures de ventilation dans l'enceinte de la bouteille.

Toute enceinte dans laquelle l'appareil est utilisé doit répondre à l'une des exigences suivantes :

- L'appareil est considéré comme étant à l'extérieur s'il est installé dans un abri avec des murs sur trois côtés mais sans couverture. **(Fig. 1).**
- Un appareil est considéré comme étant à l'air libre s'il est installé dans un abri doté d'un toit et de deux parois latérales au maximum.
 - » Les parois peuvent être parallèles, comme dans le cas d'un parpaing, ou perpendiculaires l'une à l'autre. **(Fig. 2 et Fig. 3).**
- Un appareil est considéré comme étant à l'air libre s'il est installé dans un abri comportant trois parois latérales et un couvercle, à condition que 30 % ou plus de la périphérie horizontale de l'enceinte soit ouverte en permanence. **(Fig. 4 et Fig. 5).**

! IMPORTANT!

- Toutes les ouvertures doivent être ouvertes en permanence.
- Les portes coulissantes, les portes de garage, les fenêtres ou les ouvertures grillagées ne sont pas considérées comme des ouvertures permanentes.



Raccordements au gaz

Vers une bouteille de propane : Option 1

N'utilisez qu'une bouteille de propane de 20 lb (9,1 kg) construite et marquée conformément aux spécifications pour les bouteilles de gaz de pétrole liquéfié du Département des Transports des États-Unis (D.O.T.) ou à la norme pour les bouteilles, sphères et tubes pour le transport des marchandises dangereuses et la Commission, CAN/CSA-B339, selon le cas.

N'utilisez qu'un régulateur de pression de gaz spécifié par Napoleon. Le régulateur doit fournir une pression de 11 pouces de colonne d'eau (0,39 psi) et être équipé d'un raccord de type QCC1.

Le dispositif de raccordement de la bouteille doit être compatible avec le raccord de cet appareil destiné à une utilisation à l'extérieur.

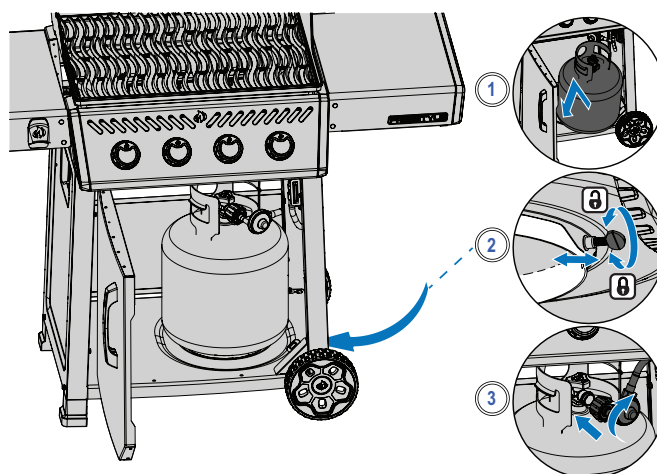
La bouteille de gaz doit être équipée :

- Une vanne d'arrêt avec un raccord QCC1
- Un dispositif de sécurité
- Un collier de protection de la vanne
- Un dispositif de protection contre le remplissage excessif homologué

Raccordement et installation

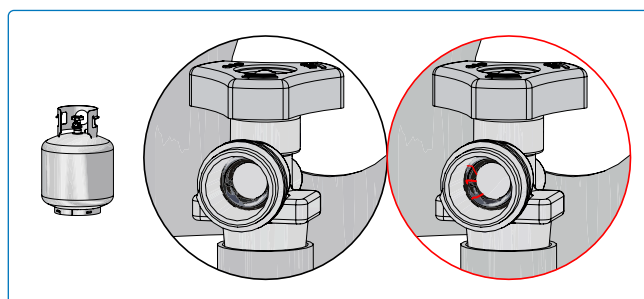
- Vérifiez la bouteille pour détecter les bosses ou la rouille, et faites-la inspecter par votre fournisseur de propane.
- N'utilisez jamais une bouteille dont le robinet est endommagé.
- Placez la bouteille dans la zone prévue à cet effet sur l'étagère inférieure.
- Assurez-vous que le tuyau du détendeur de gaz n'est pas plié.
- Retirez le capuchon ou le bouchon du robinet de la bouteille.
- Insérez le raccord noir QCC1 dans la valve de combustible QCC1. Serrer à la main vers la droite. Ne pas utiliser d'outils.

- Assurez-vous que le tuyau n'entre pas en contact avec le bac d'égouttement ou toute surface à haute température du barbecue, car il pourrait fondre et provoquer un incendie.
- Vérifiez l'étanchéité de tous les raccords avant d'utiliser le barbecue. Voir « **Test d'étanchéité** ».
- Le cylindre doit être monté de façon à ce que la sortie de la soupape de décharge de pression ne soit pas orientée vers la position normale d'utilisation de l'utilisateur.



REMARQUE : Inspectez le joint de la vanne de la bouteille de gaz LP pour détecter toute fissure, usure ou détérioration chaque fois que la bouteille est remplacée ou rechargée.

Toute bouteille de gaz LP présentant des signes de dommage ou de détérioration, y compris des fissures ou des piqûres visibles, doit être retournée inutilisée au vendeur.



AVERTISSEMENT

- Ne stockez pas de bouteille de gaz de recharge sous la tête du gril ou les brûleurs latéraux.
- N'utilisez jamais une bouteille de gaz remplie à plus de 80 %.

À une conduite de gaz domestique : Option 2

- Un tuyau d'alimentation en gaz et un raccord rapide conçus pour le gaz naturel et certifiés pour une utilisation en extérieur sont inclus avec les barbecues au gaz naturel.
 - La plomberie au gaz naturel doit fournir une pression de 7 pouces de colonne d'eau à l'entrée du barbecue.
 - La tuyauterie et les vannes en amont du raccord rapide ne sont pas fournies.
 - Le tuyau de gaz doit être dimensionné pour fournir le nombre de BTU/h indiqué sur la plaque signalétique, en fonction de la longueur de la tuyauterie.
 - Voir « **AVERTISSEMENT ! Informations générales** » de ce manuel pour connaître les codes d'installation.
1. Le raccordement à une conduite de gaz doit être effectué par un installateur agréé et testé pour les fuites avant d'utiliser le barbecue.
 2. Ne pas faire passer le tuyau à proximité du bac d'égouttement ou au-dessus du panneau arrière.
 3. Assurez-vous que le tuyau n'entre pas en contact avec des surfaces à haute température.

Raccord rapide

- Ne pas installer le raccord rapide vers le haut.
- Une vanne d'arrêt manuelle facilement accessible doit être installée en amont du raccord rapide, et aussi près que possible de celui-ci.
- Raccordez l'extrémité évasée du tuyau au raccord à l'extrémité du tube collecteur ou du tube flexible (le cas échéant).
- Serrer à l'aide de deux clés. Ne pas utiliser de pâte à joint ou de produit d'étanchéité pour filetage.
- Vérifiez l'étanchéité de tous les raccords avant d'utiliser le barbecue à gaz. Voir la section « **Test d'étanchéité** ».



AVERTISSEMENT!

- Respectez scrupuleusement toutes les spécifications et instructions afin d'éviter tout risque d'incendie, d'explosion, de dommages matériels, de blessures corporelles ou de décès.
- Débranchez le grill et sa vanne d'arrêt individuelle du système d'alimentation en gaz pendant tout test de pression supérieur à ½ psi (3,5 kPa).
- Fermez la vanne d'arrêt individuelle pour isoler le grill du système d'alimentation en gaz pendant tout test de pression égal ou inférieur à ½ psi (3,5 kPa).
- Vérifiez que le tuyau ne présente pas de signes d'abrasion excessive, de fonte, de coupures ou de fissures. Si le tuyau est endommagé, il doit être remplacé par un ensemble spécifiquement recommandé par Napoleon.



ATTENTION!

Le couvercle du barbecue et toute la chambre de combustion peuvent devenir très chauds pendant l'utilisation.

Test d'étanchéité

Pourquoi et quand effectuer un test d'étanchéité?

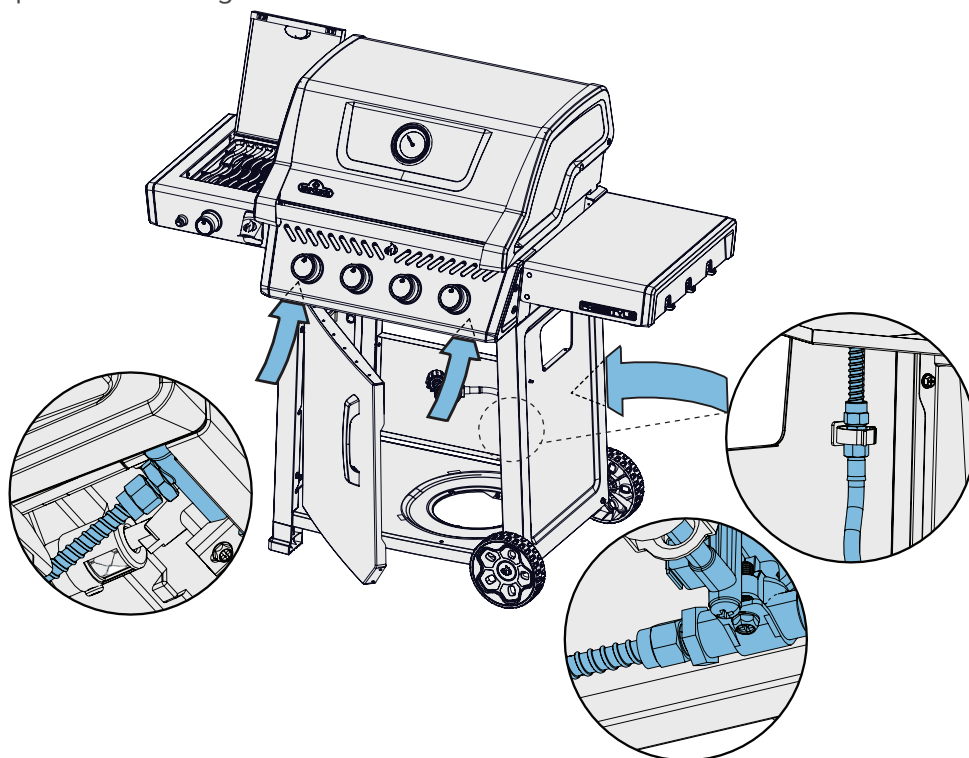
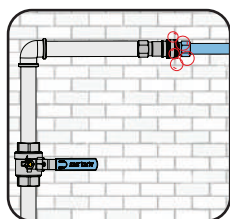
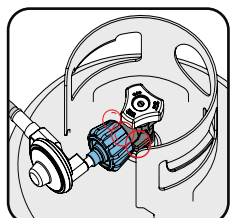
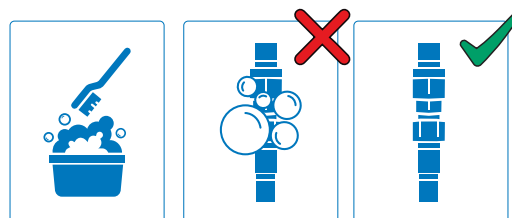
Un test d'étanchéité permet de vérifier qu'il n'y a pas de fuite de gaz après avoir raccordé le tuyau à l'alimentation en gaz. Chaque fois que la bouteille est rechargée et réinstallée, assurez-vous qu'il n'y a pas de fuite au niveau du raccord entre le régulateur et la bouteille. Effectuez un test d'étanchéité sur ce barbecue avant utilisation, une fois par an et à chaque remplacement d'un composant du système d'alimentation en gaz.

Étapes du test d'étanchéité

1. Ne fumez pas pendant le test.
2. Éliminez toutes les sources d'allumage.
3. Mettez tous les brûleurs en position d'arrêt.
4. Ouvrez le robinet d'alimentation en gaz.
5. Appliquez au pinceau une solution moitié-moitié de savon liquide et d'eau sur tous les joints et raccords du régulateur, du tuyau, des collecteurs et des vannes.
6. La formation de bulles indique une fuite de gaz.

Si vous trouvez une fuite

1. Serrez tous les joints desserrés.
2. Si la fuite ne peut pas être arrêtée, fermez immédiatement l'alimentation en gaz et débranchez le barbecue.
3. Faites inspecter le barbecue par un installateur certifié ou un revendeur.
4. N'utilisez pas le barbecue tant que la fuite n'a pas été réparée.



DANGER !

- N'utilisez jamais une flamme nue pour vérifier s'il y a des fuites de gaz. Les étincelles ou les flammes peuvent provoquer

un incendie, une explosion, des dégâts matériels, des blessures physiques graves ou la mort.

- N'utilisez que le détendeur et le tuyau fournis avec le barbecue, ou un ensemble conforme aux codes locaux.

Fonctionnement

Allumage du barbecue

Première utilisation? Effectuez une combustion.

Retirez la grille de maintien au chaud et faites fonctionner les brûleurs principaux à puissance maximale pendant 30 minutes. Il est normal que le barbecue dégage une odeur lors de la première utilisation. Cette odeur est due à la « combustion » des peintures et lubrifiants internes utilisés dans le processus de fabrication et ne se reproduira plus.



AVERTISSEMENT !

- N'utilisez pas le brûleur arrière ou latéral pendant l'opération de brûlage.

Allumage du brûleur principal

1. Ouvrez le couvercle du barbecue (**Fig. 7**).
2. Appuyez et tournez lentement n'importe quel bouton du brûleur principal dans le sens antihoraire jusqu'à la position HAUTE jusqu'à ce que la veilleuse s'allume. Continuez à appuyer sur le bouton de commande jusqu'à ce que le brûleur s'allume, puis relâchez-le (**Fig. 7-A, Fig. 8**).
3. Si la veilleuse ne s'allume pas – tournez immédiatement le bouton de commande dans le sens horaire jusqu'à la position ARRÊT. Répétez l'étape 2.
4. Si la veilleuse et le brûleur ne s'allument pas en 5 secondes – tournez le bouton de commande dans le sens horaire jusqu'à la position ARRÊT. Attendez 5 minutes que le gaz se dissipe. Répétez les étapes 2 et 3, ou consultez les « Instructions d'allumage alternatives » ci-dessous (**Fig. 11, Fig. 12**).

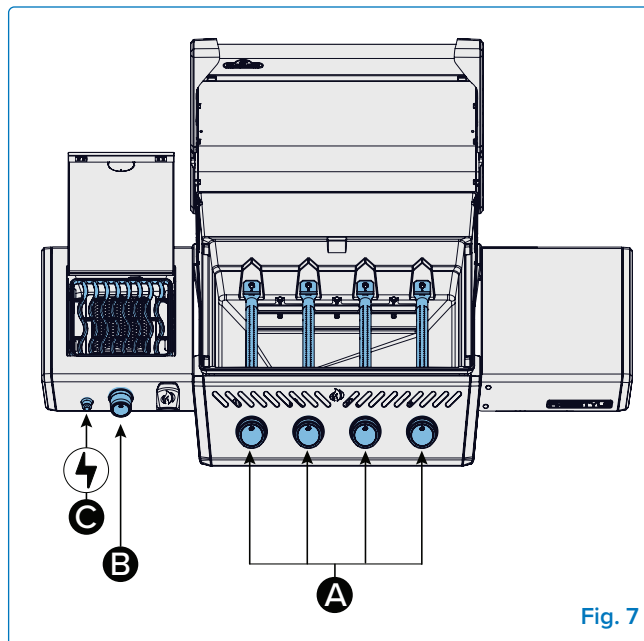


Fig. 7

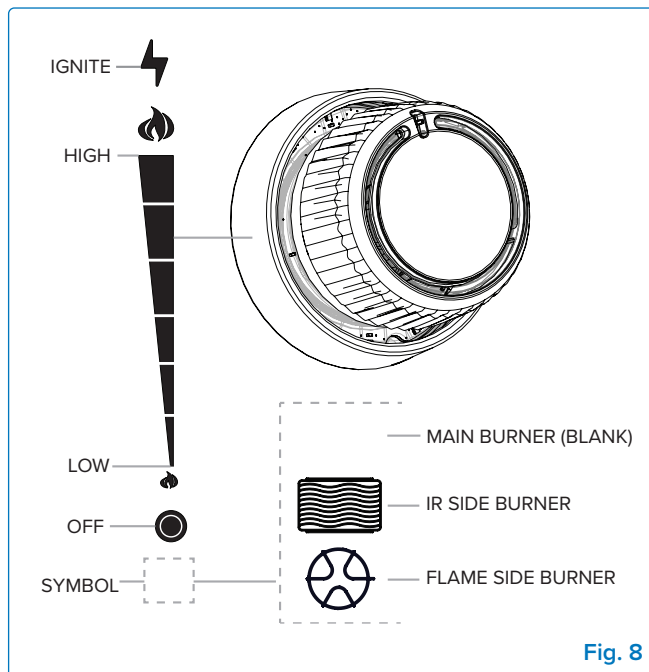
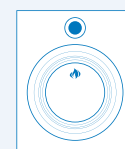


Fig. 8



AVERTISSEMENT !

- Assurez-vous que tous les brûleurs sont en position d'arrêt avant d'ouvrir lentement le robinet d'arrivée de gaz.
- Suivez attentivement les instructions d'allumage.
- Assurez-vous que le couvercle du grill est OUVERT pendant l'allumage.
- Ne réglez pas les grilles de cuisson lorsque le barbecue est chaud ou en fonctionnement.
- Nettoyez régulièrement la graisse de l'ensemble de l'appareil, y compris le bac à graisse et les plaques de saisie, pour éviter l'accumulation et les feux de graisse.



Allumage du brûleur latéral (si équipé)

1. Ouvrez le couvercle du brûleur. (**Fig. 9**).
2. Appuyez sur le bouton du brûleur latéral et tournez-le lentement dans le sens inverse des aiguilles d'une montre jusqu'à la position HIGH (HIGH) jusqu'à ce que l'étincelle allume le brûleur (**Fig. 7-B, Fig. 8**).
3. Continuez à appuyer sur le bouton de commande jusqu'à ce que le brûleur s'allume, puis relâchez.
4. Si le brûleur ne s'allume pas, tournez le bouton de commande du brûleur dans le sens horaire jusqu'à la position OFF. Attendez 5 minutes. Répétez les étapes 2 et 3, ou consultez les « Instructions d'allumage alternatives ».

Allumage du brûleur latéral infrarouge (si équipé)

1. Ouvrez le couvercle du brûleur (**Fig. 10**)
2. Appuyez sur le bouton du brûleur latéral et tournez-le lentement dans le sens inverse des aiguilles d'une montre jusqu'à la position HIGH (**Fig. 7-B, Fig. 8**).
3. Appuyez sur le bouton d'allumage et maintenez-le enfoncé jusqu'à ce que le brûleur s'allume, ou allumez-le à l'aide d'une allumette (**Fig. 7-C**)
4. Si le brûleur ne s'allume pas, tournez le bouton de commande du brûleur dans le sens horaire jusqu'à la position OFF. Attendez 5 minutes. Répétez les étapes 2 et 3.

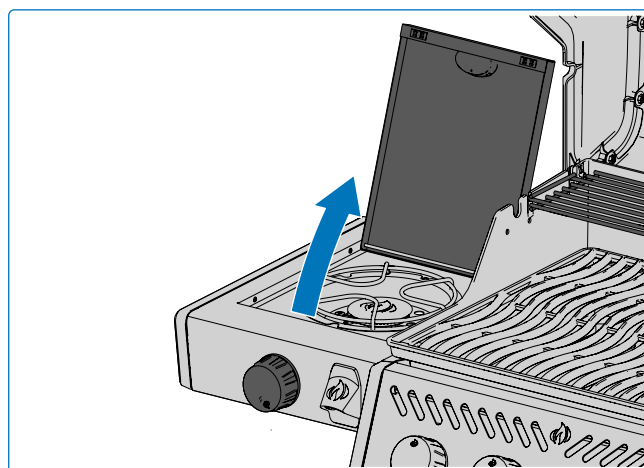


Fig. 9

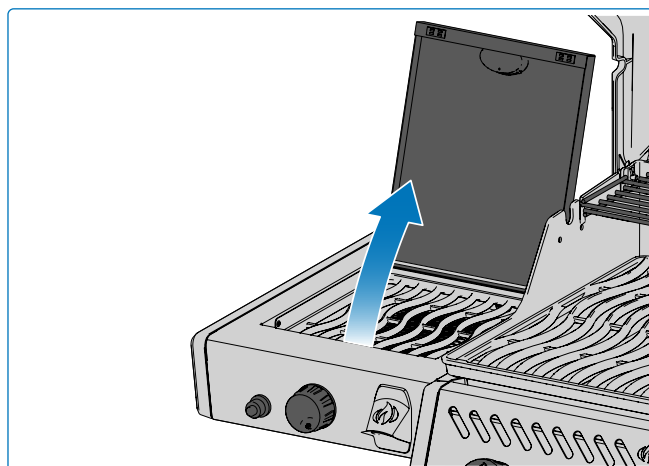


Fig. 10

Brûleur principal

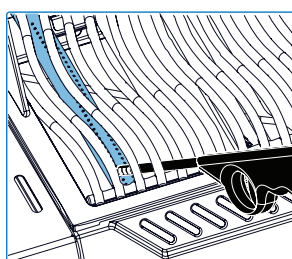


Fig. 11

Brûleur latéral

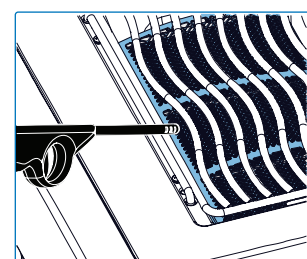


Fig. 12

Instructions alternatives d'allumage

1. Ouvrez le couvercle du brûleur/gril (**Fig. 11, Fig. 12**)
2. Allumez une allumette longue ou un briquet au butane et placez-le près des orifices du brûleur.
3. Tournez le bouton du brûleur correspondant dans le sens inverse des aiguilles d'une montre jusqu'à la position HIGH jusqu'à ce qu'il s'allume.

Instructions de cuisson

Utilisation du brûleur principal

- Préchauffez le gril avant de saisir les aliments en allumant tous les brûleurs principaux à puissance maximale et en fermant le couvercle pendant environ 10 minutes.
- Les aliments qui cuisent rapidement, comme le poisson et les légumes, peuvent être grillés avec le couvercle ouvert.
- La cuisson avec le couvercle fermé garantit des températures plus élevées et plus constantes, ce qui permet de cuire la viande de manière plus homogène et de réduire le temps de cuisson.
- Les grilles de cuisson peuvent être huilées avant le préchauffage afin de réduire l'adhérence lors de la cuisson de viandes maigres telles que le poulet ou le porc.
- Les aliments qui nécessitent plus de 30 minutes de cuisson, tels que les rôtis, peuvent être cuits indirectement avec le brûleur allumé à l'opposé des aliments. **Voir Cuisson indirecte.**
- Retirez l'excès de graisse de la viande pour éviter les flambées ou réduisez la température du barbecue.
- Flammes : éloignez les aliments des flammes et réduisez la chaleur. Laissez le couvercle ouvert.

Cuisson directe

Cette méthode est idéale pour saisir ou cuire rapidement des aliments tels que des hamburgers, des steaks, du poulet ou des légumes. Placez les aliments directement sur la source de chaleur, sur les grilles de cuisson. Saisissez d'abord la viande pour en conserver le jus et la saveur, puis baissez la température du gril pour terminer la cuisson selon vos préférences (**Fig. 13**).

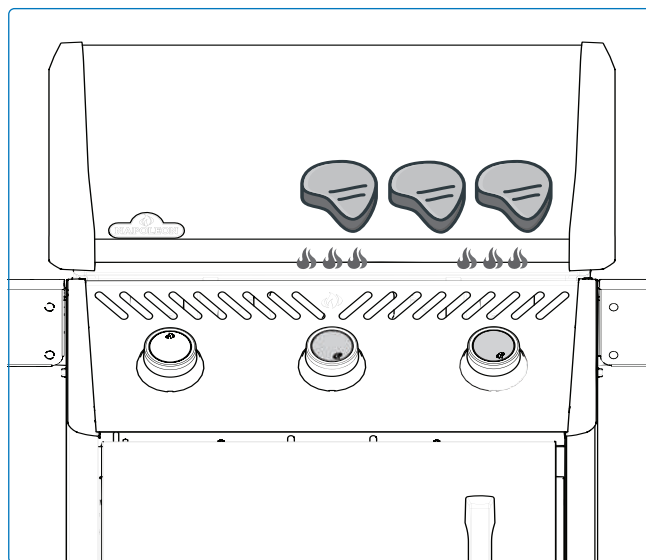


Fig. 13



CONSEIL DE PRO POUR LES GRILLADES!

Ajoutez un accessoire fumeur Napoleon à votre barbecue pour aromatiser votre viande.



CONSEIL DE PRO POUR LES GRILLADES!

Utilisez un thermomètre pour vérifier la température interne de la viande afin de vous assurer qu'elle est parfaitement cuite.

Cuisson indirecte

Cette méthode utilise des températures plus basses et une chaleur indirecte pour cuire les aliments lentement et uniformément. Elle est idéale pour les gros morceaux de viande ou les aliments susceptibles de s'enflammer, tels que les rôtis, les poulets entiers ou les dindes.

Allumez un ou plusieurs brûleurs et placez les aliments sur la grille de cuisson, là où il n'y a pas de flammes. Une cuisson lente à basse température permet d'obtenir des résultats plus tendres et savoureux (Fig. 14).

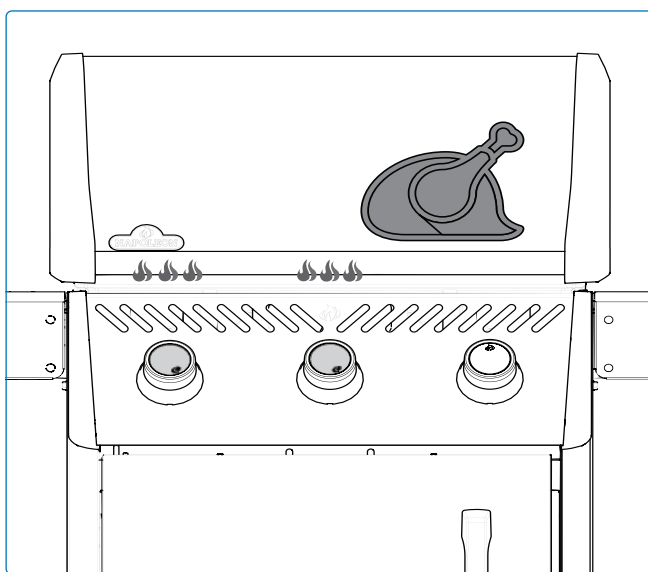


Fig. 14

Brûleur latéral (si équipé)

Le brûleur latéral à flamme fonctionne comme une cuisinière et est idéal pour préparer des sauces, des soupes ou des jus. Utilisez des casseroles ou des poêles dont le diamètre ne dépasse pas 25 cm (10 pouces). Pour obtenir les meilleurs résultats, utilisez le brûleur dans un endroit protégé du vent.

Brûleur latéral infrarouge (si équipé)

Pour utiliser le brûleur latéral, suivez les instructions de la section « **Allumage du brûleur latéral infrarouge** ». Lorsqu'il est réglé sur la position haute, la chaleur infrarouge offre une surface uniforme pour saisir les aliments. Certains modèles comprennent une grille de cuisson réglable en hauteur pour un contrôle accru.

! IMPORTANT!

- Ne couvrez pas plus de 75 % de la surface du brûleur infrarouge avec des plaques ou des poêles : vous avez besoin d'une surface ouverte suffisante pour une combustion et une circulation de chaleur adéquates.

! DANGER!

- Ne faites jamais griller des aliments directement sur le brûleur latéral à flamme. Il est conçu uniquement pour une utilisation avec des casseroles et des poêles.
- Ne fermez pas le couvercle du brûleur latéral lorsqu'il est en marche ou chaud.
- Ne laissez pas d'aliments sans surveillance sur des brûleurs allumés.
- Ne faites pas de friture sur le brûleur latéral. Cuisiner avec de l'huile peut être dangereux.
- Nettoyez régulièrement la graisse de l'ensemble de l'appareil, y compris le bac à graisse et les plaques de saisie, pour éviter l'accumulation et les feux de graisse.

Comment utiliser la rôtissoire

Assemblage de votre kit rôtissoire (si équipé)



REMARQUE : Retirez la grille de réchauffage avant d'utiliser la broche. Une chaleur excessive endommagerait la grille de réchauffage.

1. Installez le moteur de rôtissoire sur le côté du gril à l'aide du ou des supports de fixation. Certains modèles sont équipés de supports préinstallés.
2. Une fois le support fixé au barbecue, faites glisser le moteur de la rôtissoire sur le support.
3. Faites glisser la première fourchette de la rôtissoire juste après le milieu de la broche et serrez-la en place. Enfilez la viande sur la broche et poussez-la dans la fourchette. Faites glisser la deuxième fourchette de la rôtissoire à l'autre extrémité de la broche et poussez la fourchette dans la viande jusqu'à ce qu'elle soit bien fixée. Serrez la fourchette en place.
4. Insérez soigneusement l'extrémité pointue de la broche dans le moteur de la rôtissoire et placez l'autre extrémité sur les supports. Le côté le plus lourd de la viande pendra naturellement vers le bas pour équilibrer la charge.
5. Faites glisser la bague d'arrêt sur la broche jusqu'à ce qu'elle dépasse l'intérieur du couvercle. Cela empêchera le mouvement latéral de la broche.
6. Serrez la bague d'arrêt et la poignée de la broche. Placez un plat en métal sous la viande pour recueillir les jus.



IMPORTANT !

- Portez toujours des gants lorsque vous manipulez les composants du gril.

Conseils pour l'utilisation de la rôtissoire :

- Faites fonctionner les brûleurs à puissance maximale jusqu'à ce que la viande soit dorée. Réduisez la chaleur. Gardez le couvercle fermé.
- Utilisez un thermomètre pour vérifier la température interne de la viande.
- Les rôtis et la volaille doivent dorer à l'extérieur et rester tendres à l'intérieur.
- Utilisez les jus de cuisson pour arroser et préparer la sauce.
- Un poulet de 1,5 kg prend environ 1 heure et demie à feu moyen à fort.
- Tenez compte de la capacité du moteur de la rôtissoire. Ne surchargez jamais votre équipement.
- Veillez à toujours répartir uniformément la charge sur votre rôtissoire (**Fig. 15**).

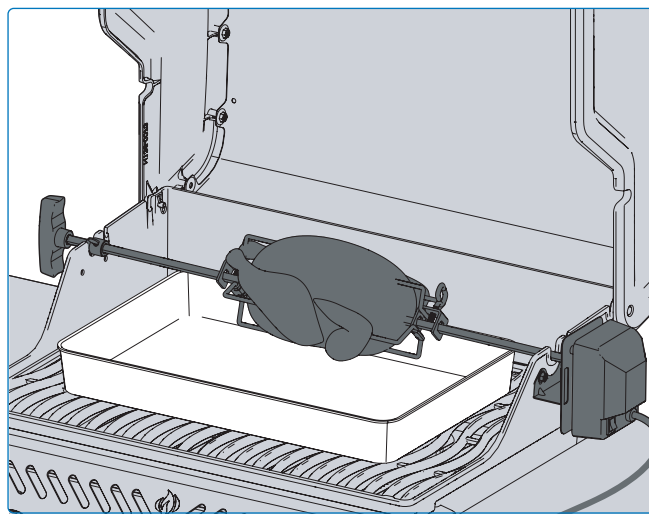


Fig. 15

Comment cuire plusieurs poulets

1. Attachez ou embrochez les ailes sur le corps des poulets.
2. Faites glisser la fourchette de la rôtissoire sur la broche.
3. Enfilez le premier poulet sur la broche jusqu'à ce qu'il soit maintenu en place par la fourchette de la rôtissoire. Serrez.
4. Enfilez les 2 poulets suivants sur la broche afin que tous les poulets soient bien serrés les uns contre les autres.
5. Faites glisser la deuxième fourchette de la rôtissoire sur la broche et poussez-la dans le poulet jusqu'à ce que les 3 poulets soient bien serrés ensemble. Serrez (**Fig. 16**).

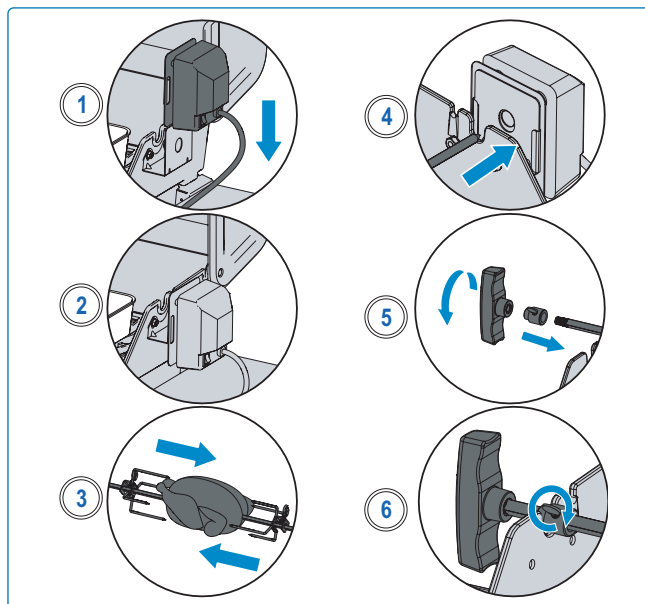


Fig. 16

AVERTISSEMENT

- Démontez les composants de la rôtissoire une fois la cuisson terminée et les composants refroidis, lavez-les à l'eau chaude savonneuse et rangez-les à l'intérieur.
- N'utilisez jamais une bouteille de gaz remplie à plus de 80 %.
- Utilisez des gants de barbecue résistants à la chaleur pour manipuler les composants chauds de la rôtissoire.
- Débranchez la fiche de la rôtissoire de la prise lorsque le barbecue n'est pas utilisé.



LE SAVIEZ-VOUS ?

Vous pouvez retirer les grilles de cuisson si elles gênent la cuisson de gros morceaux de viande, mais assurez-vous qu'elles sont froides au toucher avant de les manipuler.

Liste de contrôle de l'expérience culinaire

Reportez-vous à cette liste chaque fois que vous cuisinez

Lire le manuel d'utilisation

Assurez-vous d'avoir lu le manuel d'utilisation et toutes les consignes de sécurité avant d'utiliser votre barbecue.

Nettoyer le bac à graisse

Nettoyez toujours le bac à graisse avant la cuisson afin d'éviter les incendies et les flammes.

Vérifier le tuyau

Assurez-vous que l'appareil est éteint et refroidi. Inspectez le tuyau pour vous assurer qu'il ne présente pas d'usure excessive, d'abrasions ou de coupures. Remplacez-le immédiatement s'il est endommagé. N'utilisez pas un tuyau défectueux.

Vérifiez l'absence de fuites

Utilisez une solution d'eau savonneuse pour vérifier l'absence de fuites de gaz avant la première utilisation, puis périodiquement par la suite. La présence de bulles indique une fuite qui doit être réparée immédiatement.

Préchauffer l'appareil

Enduisez les grilles de cuisson de graisse végétale ou d'huile à point de fumée élevé. Préchauffez le grill pour brûler les résidus et éviter qu'ils ne collent

- **Grilles en acier inoxydable :** Utilisez une brosse en acier inoxydable. Voir « **Instructions de nettoyage** » pour plus de détails.
- **Grilles en fonte :** Nettoyez-les à l'aide d'une brosse en laiton.



NOTE :

Les grilles de cuisson en acier inoxydable sont résistantes à la corrosion et nécessitent moins d'entretien que les grilles en fonte.

Zone de préparation

Gardez les ustensiles, les assaisonnements, les sauces et les plats de service à portée de main. Un espace de cuisson bien organisé réduit le stress et prévient les accidents.

Ne laissez jamais les aliments sans surveillance

Les aliments laissés sans surveillance peuvent brûler rapidement. Restez à proximité, en particulier lorsque vous cuisinez des aliments gras.

Retournez une seule fois et évitez de soulever le couvercle

Ouvrir le couvercle trop souvent libère de la chaleur, ce qui affecte le temps et la température de cuisson. Pour obtenir les meilleurs résultats, en particulier avec les steaks et le poulet, retournez les aliments une seule fois.

Laissez de l'espace entre les aliments

Laissez suffisamment d'espace sur la plaque ou la grille pour permettre la circulation de l'air et faciliter le déplacement des aliments lorsque vous les retournez ou les déplacez.

Utilisez un thermomètre

Utilisez toujours un thermomètre alimentaire pour vous assurer que la température interne est correcte. Ceci est particulièrement important pour la volaille, les viandes hachées et les fruits de mer.

Évitez de surcharger la plaque ou le grill

Cuire trop d'aliments à la fois fait baisser la température et entraîne une cuisson inégale.



HUILES ET MATIÈRES GRASSES RECOMMANDÉES

- Huile d'avocat
- Huile de carthame
- Huile de tournesol
- Suif de bœuf

Si vous ne disposez pas de ces huiles, choisissez une autre huile à point de fumée élevé.

N'utilisez pas de graisses salées comme le beurre ou la margarine.



CONSEIL DE CUISINE PRO!

Préchauffez toujours le grill avant la cuisson afin de brûler les résidus et empêcher les aliments de coller à la grille.

Comment assaisonner les grilles de cuisson en fonte



ATTENTION!

- Cette procédure **DOIT** être effectuée avant la première utilisation et répétée toutes les 3 à 4 utilisations afin de conserver l'aspect neuf des grilles.

Pourquoi assaisonner les grilles en fonte ?

- **Protection contre la rouille** : La fonte est poreuse et rouille facilement ; le culottage crée une barrière protectrice.
- **Propriétés antiadhésives** : Les couches d'huile polymérisée forment une surface naturelle antiadhésive.
- **Saveur et longévité**: améliore la saveur des grillades et des rôtis, prolonge la durée de vie en empêchant la corrosion.

Instructions étape par étape

1. Retirez les grilles en fonte du barbecue.
2. Lavez-les à l'eau chaude savonneuse à l'aide d'un chiffon doux. Rincez-les et séchez-les en les tapotant. Laissez les grilles sécher complètement.
3. Utilisez une huile à point de fumée élevé. Appliquez une fine couche uniforme sur toutes les surfaces à l'aide d'un pinceau ou d'un chiffon.
4. Remettez les grilles sur le barbecue à une température comprise entre 176 et 204 °C (350 et 400 °F). Faites chauffer pendant 30 à 60 minutes.
5. Appliquez 1 à 2 couches supplémentaires, en réchauffant à chaque fois pour obtenir de meilleurs résultats.
6. Les grilles sont désormais assaisonnées et prêtes à l'emploi.



NOTE :

Si de la rouille se forme sur les grilles en fonte, éliminez-la à l'aide d'un tampon à récurer ou d'une brosse en laiton, puis répétez le processus d'assaisonnement.



AVERTISSEMENT

- Nettoyez régulièrement la graisse de l'ensemble de l'appareil, y compris le bac à graisse, afin d'éviter les accumulations et les incendies de graisse.
- Ne laissez pas les aliments sans surveillance.
- Habillez-vous de manière appropriée. Évitez les vêtements amples, les manches longues et les accessoires pendants lorsque vous cuisinez sur une flamme nue.

Meilleures pratiques de culottage

- **N'appliquez que de fines couches d'huile** Une quantité excessive d'huile peut créer des résidus collants. Essuyez l'excédent avant de chauffer.
- **Répétez le culottage régulièrement.** Faites-le toutes les 3 à 4 utilisations pour conserver une surface lisse et antiadhésive et éviter la rouille.
- **Utilisez des huiles à point de fumée élevé** Bon choix : huile d'avocat, huile de carthame, huile de tournesol, suif de bœuf. Évitez le beurre ou la margarine.
- **Évitez les sprays antiadhésifs.** Ceux-ci contiennent souvent des additifs qui peuvent encrasser la surface.
- **Le savon est acceptable, il suffit de réhuiler après le lavage** Un savon doux n'abîmera pas votre assaisonnement. Séchez complètement et appliquez de l'huile après le lavage
- **Éliminez la rouille** Si de la rouille se forme, frottez-la avec un tampon à récurer ou une brosse en laiton, puis assaisonnez immédiatement.
- **Préchauffez avant de procéder au culottage.** Chauffer légèrement le gril avant d'appliquer l'huile aide le revêtement à mieux adhérer.
- **Évitez de culotter un gril froid.** Le métal froid n'absorbe pas correctement l'huile. Pour obtenir de meilleurs résultats, préchauffez-le d'abord.
- **Inspectez vos grilles avant chaque utilisation.** Si la surface semble terne ou sèche, appliquez une fine couche d'huile avant la cuisson.
- **Conservez-le dans un endroit sec.** En cas de stockage à long terme, appliquez une fine couche d'huile et couvrez votre gril pour éviter l'accumulation d'humidité.



CONSEIL DE CUISINE PRO!

Découvrez des recettes inspirantes et des techniques de cuisson au barbecue dans les livres de cuisine de Napoleon ou sur www.napoleon.com

Guide de grillade infrarouge








Alimentation	Bouton de commande Réglage	Temps de cuisson	Suggestions
 Steak 2,54 cm d'épaisseur.	HAUT 2 minutes de chaque côté	Saignant - 4 minutes	Demandez de la graisse marbrée dans la découpe. La graisse est un attendrisseur naturel qui permet à la viande de rester juteuse.
	HAUT à MOYEN Feu vif 2 minutes de chaque côté, puis passer à feu moyen.	Moyen - 6 minutes	
		Bien cuit - 8 minutes	
 Hamburger 1,27 cm d'épaisseur	HAUT 2 minutes de chaque côté.	Saignant - 4 minutes	Veillez à ce que toutes les galettes aient la même épaisseur afin que le temps de cuisson soit identique. Les steaks hachés de 2,54 cm (1 pouce) d'épaisseur ou plus doivent être grillés à chaleur indirecte.
	HAUT 2 ½ minutes de chaque côté.	Moyen - 5 minutes	
	HAUT 3 minutes de chaque côté.	Bien cuit 6 minutes	
 Poulet	ÉLEVÉE, MOYENNE, FAIBLE 2 minutes de chaque côté, puis feu moyen-doux à doux.	20 à 25 minutes	Coupez le joint reliant la cuisse et la jambe aux trois quarts afin que la viande repose à plat sur le brûleur et cuise uniformément.
 Côtelettes de porc	MOYEN	6 minutes de chaque côté	Choisissez des morceaux épais pour une viande plus tendre. Enlever l'excès de graisse.
 Travers de porc (Spare Ribs)	ÉLEVÉ à FAIBLE À feu vif pendant 5 minutes, puis à feu doux jusqu'à la fin de la cuisson.	20 minutes de chaque côté en retournant souvent	Choisissez des côtes maigres et charnues. Griller jusqu'à ce que la viande se détache facilement de l'os.
 Côtelettes d'agneau	HAUT à MOYEN Élevé pendant 5 minutes, puis moyen jusqu'à ce que la cuisson soit terminée.	15 minutes de chaque côté	Choisissez des morceaux épais pour une viande plus tendre. Enlever l'excès de graisse.
 Hot dogs	MOYEN à FAIBLE	4 à 6 minutes	Choisissez des saucisses plus grosses et incisez-les dans le sens de la longueur avant de les griller.

tableau 1

Il s'agit de directives générales. Veuillez vous reporter aux recommandations des autorités sanitaires pour plus d'informations.

Instructions de nettoyage

Première utilisation

1. Lavez les grilles de cuisson à la main à l'eau chaude et au liquide vaisselle doux pour éliminer tout résidu de fabrication. **Ne placez pas** les grilles au lave-vaisselle.
2. Rincez-les à l'eau chaude et séchez-les soigneusement à l'aide d'un chiffon doux pour éviter qu'elles ne rouillent (**Fig. 17**).

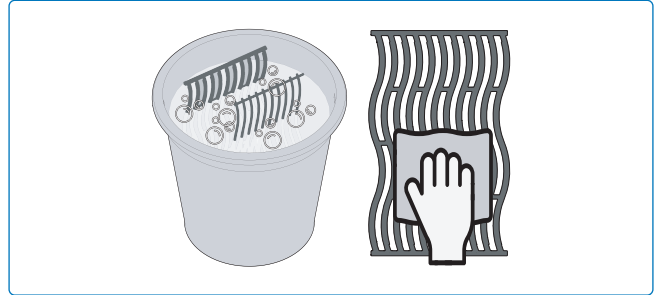


Fig. 17

Grilles en fonte

- Assaisonnez les grilles avant utilisation afin de créer un revêtement protecteur qui aide à prévenir la rouille. Pour obtenir des instructions, consultez « **Comment culotter vos grilles de cuisson en fonte** »

Grilles en acier inoxydable

- Pour nettoyer, préchauffez le gril et utilisez une brosse métallique pour éliminer les résidus alimentaires (**Fig. 18, 19, 20**)
- La décoloration est normale. Les grilles en acier inoxydable noircissent de façon permanente avec le temps en raison des températures élevées de cuisson.

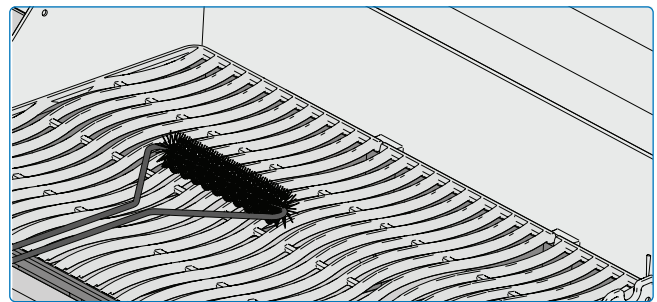


Fig. 18

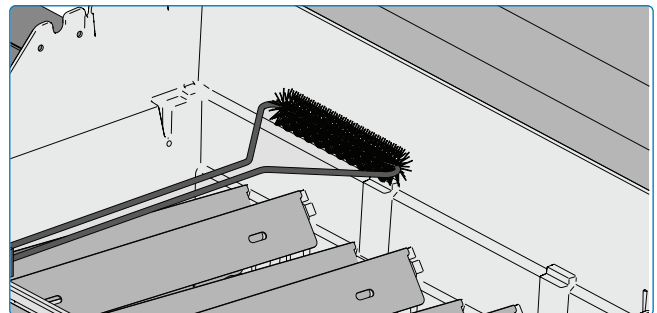


Fig. 19

Brûleur latéral infrarouge

- La plupart des gouttes et des particules alimentaires brûlent immédiatement en raison de la chaleur intense du brûleur.
- **Ne** nettoyer la surface en céramique avec une brosse métallique, cela pourrait l'endommager.
- **N'utilisez pas** utiliser d'eau ou d'autres liquides pour nettoyer le brûleur. Des changements brusques de température peuvent fissurer la tuile en céramique.
- **Pour nettoyer** : Allumez le brûleur et laissez-le fonctionner à puissance maximale pendant 5 à 10 minutes afin d'incinérer tout résidu restant.

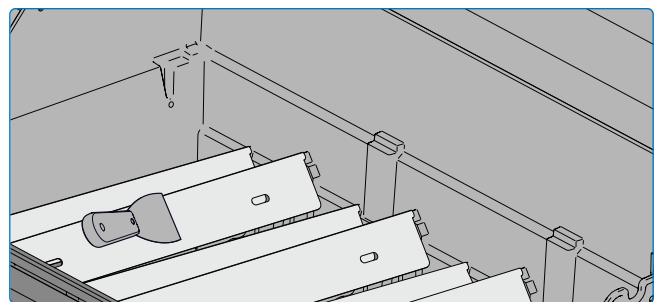


Fig. 20



DANGER !

- Portez toujours des gants de protection et des lunettes de sécurité lors du nettoyage de votre gril.
- L'accumulation de graisse constitue un risque d'incendie.
- Le nettoyage doit être effectué uniquement lorsque le gril est froid afin d'éviter tout risque de brûlure.

Intérieur du grill

1. Retirez les grilles de cuisson.
2. Utilisez une brosse métallique en laiton pour nettoyer les débris détachés sur les côtés et sous le couvercle.
3. Grattez les plaques de cuisson avec un couteau à mastic ou un grattoir. Utilisez une brosse métallique pour éliminer les cendres.
4. Retirez les plaques de cuisson et brossez les débris des brûleurs à l'aide d'une brosse métallique.
5. Balayez tous les débris restants à l'intérieur du grill dans le bac d'égouttement (**Fig. 21, 22**).

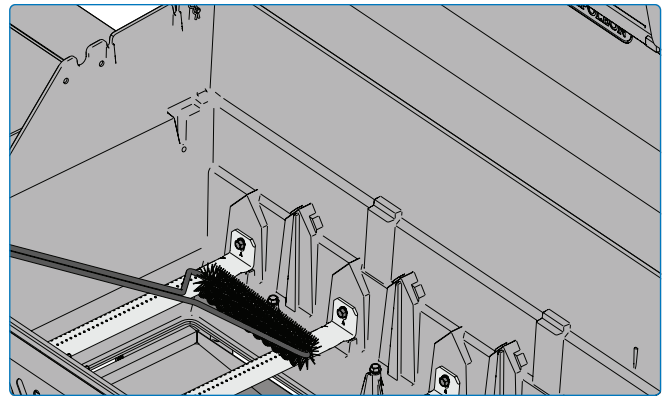


Fig. 21

Émail porcelaine

Évitez d'ébrécher ou de rayer le revêtement en porcelaine des plaques de cuisson et du bac d'égouttement, car cela pourrait compromettre leur résistance à la corrosion. Utilisez des couteaux à mastic ou des grattoirs en plastique pour nettoyer les pièces en porcelaine.

Bac de récupération

Chaque tête de grill, brûleur latéral et brûleur encastrable comprend un bac d'égouttement dédié, accessible par les portes de l'armoire ou les ouvertures prévues à cet effet.

- La graisse et les jus de cuisson s'accumulent dans le bac d'égouttement situé sous le grill et peuvent s'écouler dans un bac à graisse jetable situé en dessous (si équipé).
- N'utilisez que des revêtements approuvés par Napoleon dans le bac d'égouttage. **N'utilisez pas** utilisez pas de papier d'aluminium, de sable ou tout autre matériau non approuvé, car cela pourrait bloquer l'écoulement de la graisse.
- Nettoyez le bac d'égouttage toutes les 4 à 5 utilisations afin d'éviter l'accumulation de graisse (**Fig. 23**).

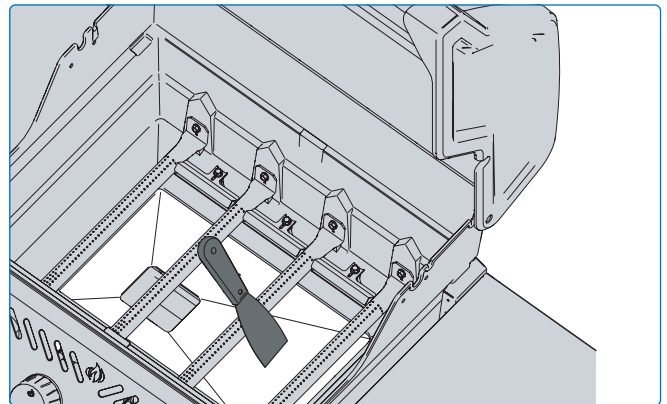


Fig. 22

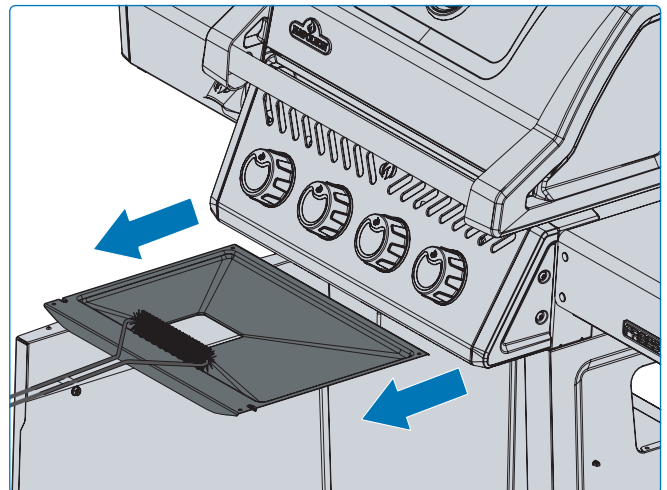


Fig. 23



AVERTISSEMENT

- Assurez-vous que tous les brûleurs sont éteints et que le grill est froid avant de nettoyer. N'utilisez pas de nettoyant pour four pour nettoyer les pièces du grill.
- Ne mettez pas les grilles de cuisson ni aucune autre pièce du barbecue dans un four autonettoyant pour les nettoyer. Nettoyez le barbecue dans un endroit où la solution de nettoyage ne risque pas d'endommager les terrasses, pelouses ou patios.
- La sauce barbecue et le sel peuvent être corrosifs et provoquer une détérioration rapide des composants du barbecue s'ils ne sont pas nettoyés régulièrement.

Étapes de nettoyage :

1. Faites glisser le bac d'égouttement vers l'extérieur pour accéder au bac à graisse jetable ou pour le nettoyer.
2. Grattez la graisse à l'aide d'un couteau à mastic ou d'un grattoir.
3. Remplacez le bac à graisse jetable toutes les 2 à 4 semaines, selon l'utilisation (le cas échéant).
4. Pour vous procurer des fournitures, contactez votre revendeur Napoléon.

Panneau de contrôle

Nettoyez uniquement avec **de l'eau chaude savonneuse et un chiffon doux uniquement**. Évitez les chiffons abrasifs ou les nettoyeurs agressifs, qui peuvent effacer le texte imprimé. **Testez d'abord sur une petite zone cachée** pour vous assurer que le nettoyage est sans danger.

- Les pièces en acier inoxydable se décolorent avec le temps sous l'effet de la chaleur, prenant une teinte dorée ou brune. Ce phénomène est normal et n'affecte pas les performances du grill (**Fig. 24**).

Pièces moulées en aluminium

Nettoyez avec de l'eau tiède savonneuse. Bien que l'aluminium ne rouille pas, l'exposition à une chaleur intense et aux intempéries peut provoquer une oxydation de la surface, qui peut se traduire par l'apparition de taches blanches. Consultez la section « **Instructions d'entretien** » pour obtenir des conseils sur la prévention de l'oxydation.

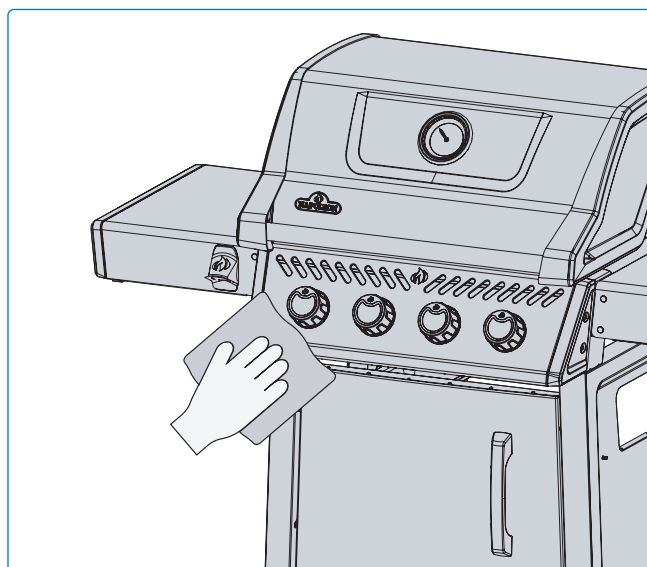


Fig. 24

Surface extérieure du grill

- Utilisez uniquement un nettoyant non abrasif. Les produits abrasifs ou la laine d'acier peuvent rayer la finition.
- Essuyez toujours dans le sens du grain.
- Manipulez les composants en émail de porcelaine avec précaution.
- La finition émaillée est semblable à du verre et peut s'écailler si elle est heurtée.



DANGER!

- Évitez tout contact avec les surfaces chaudes.
- N'utilisez pas de nettoyeurs abrasifs ni de laine d'acier sur les

pièces peintes, en porcelaine ou en acier inoxydable. Ces matériaux risquent de rayer et d'endommager la finition.



LA SÉCURITÉ D'ABORD !

Portez toujours des gants de protection et des lunettes de sécurité lorsque vous entretenez le grill.

Moustiquaire et orifices des brûleurs

Les araignées et les insectes sont attirés par les petits espaces clos. Bien que les brûleurs Napoléon soient équipés d'une grille anti-insectes sur le volet d'air pour aider à prévenir la formation de nids, cela n'élimine pas le risque. Les nids ou les toiles d'araignées peuvent provoquer une flamme jaune ou orange et entraîner un incendie ou un retour de flamme près du volet d'aération situé sous le panneau de commande.

Suivez ces étapes pour nettoyer et entretenir le brûleur:

1. Retirez le brûleur:

- Dévissez le brûleur de la paroi arrière du grill. Faites glisser le brûleur vers l'arrière et vers le haut pour le retirer.

2. Nettoyez le brûleur:

- Nettoyez l'intérieur du brûleur à l'aide d'une brosse flexible pour tube venturi ou, pour les zones délicates, d'une brosse à poils doux afin d'éliminer délicatement les débris (**Fig. 25**).
- Secouez les débris détachés à travers l'entrée de gaz.
- Inspectez les orifices du brûleur et les orifices de la vanne pour vous assurer qu'ils ne sont pas obstrués. Les débris et la corrosion peuvent les obstruer au fil du temps.

! DANGER!

- Lorsque vous réinstallez le brûleur après le nettoyage, assurez-vous que la vanne ou l'orifice est complètement inséré dans le tube du brûleur. Le non-respect de cette consigne peut provoquer un incendie ou une explosion.

3. Déboucher les orifices obstrués

- Utilisez un trombone redressé ou l'embout d'entretien des orifices fourni pour déboucher les orifices du brûleur.
- Si nécessaire, percez soigneusement les orifices obstrués à l'aide du foret fourni et d'une petite perceuse sans fil.



NOTE :

Ce foret est destiné uniquement aux orifices de brûleur. Ne l'utilisez pas sur des orifices en laiton.

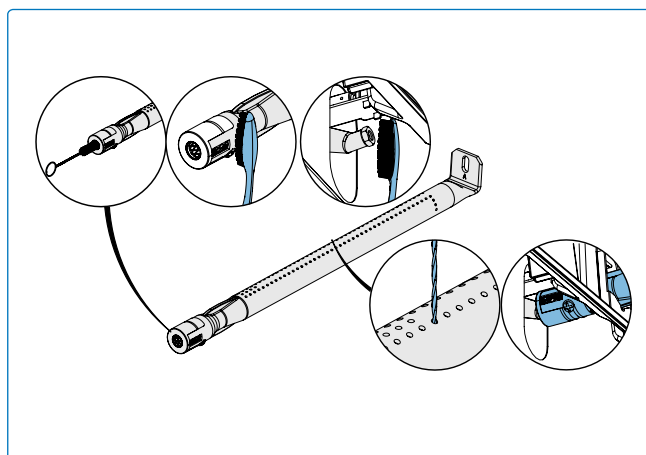


Fig. 25



IMPORTANT!

- Ne pliez pas le foret pendant le perçage, car cela pourrait le casser. N'agrandissez pas les orifices.

4. Inspectez la grille anti-insectes :

- Assurez-vous que la moustiquaire est propre, bien fixée et exempte de peluches ou de débris.

5. Réinstallez le brûleur :

- Assurez-vous que la valve s'insère dans le brûleur lors de l'installation.
- Remettez en place le support de la plaque de cuisson et serrez les vis pour terminer la réinstallation.

Instructions d'entretien

Recommandations

Ce barbecue doit être inspecté et entretenu chaque année par un technicien qualifié.

- Ne bloquez pas le flux d'air pour la ventilation ou la combustion.
- Veillez à ce que les ouvertures de ventilation ne soient pas obstruées par des débris. Celles-ci sont situées sur les côtés du chariot ou du boîtier, ainsi qu'à l'avant et à l'arrière de l'étagère inférieure.

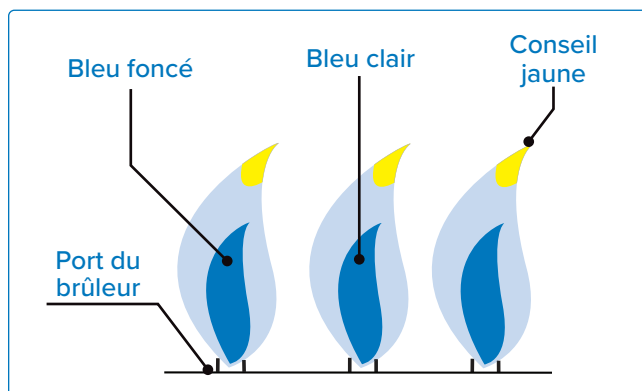


Fig. 26

Réglage de l'air de combustion



IMPORTANT !

- Cette opération doit être effectuée par un technicien qualifié.

- Le volet d'aération est réglé en usine et ne nécessite généralement aucun réglage dans des conditions normales. Un réglage peut s'avérer nécessaire uniquement dans des conditions extrêmes.
- Lorsqu'il est correctement réglé, la flamme doit être bleu foncé avec des pointes bleu clair et peut présenter occasionnellement des scintillements jaunes.
- Un manque d'air provoquera des flammes jaunes, fuligineuses et faibles (**voir Fig. 26**).
- Un excès d'air peut provoquer le soulèvement ou l'extinction de la flamme, entraînant des problèmes d'allumage.



AVERTISSEMENT!

- Gardez le gril à l'écart de tout matériau combustible et de tout liquide ou vapeur inflammable, y compris l'essence.

Réglage du volet d'air

1. Retirez les grilles de cuisson et les plaques de cuisson. Laissez le couvercle ouvert pour permettre la ventilation.
2. Ouvrez la porte du meuble ou retirez le tiroir supérieur (le cas échéant) pour accéder à la vis du volet d'air située au niveau de l'ouverture du brûleur. Pour les brûleurs à tube arrière, retirez le couvercle arrière pour accéder au volet.
3. Retirez le couvercle arrière pour régler l'obturateur d'air du brûleur à tube arrière.
4. Desserrez la vis de blocage du volet d'air. Ouvrez ou fermez le volet selon les besoins pour obtenir une bonne de la flamme (**tableau 2**).
5. Allumez les brûleurs et réglez-les à puissance maximale. Inspectez la flamme. Une flamme correcte doit être principalement bleue avec une petite pointe jaune.
6. Éteignez les brûleurs. Serrez la vis de blocage. Remettez en place toutes les pièces retirées. Assurez-vous que les moustiquaires sont correctement installées.



NOTE :

Les brûleurs infrarouges ne disposent pas de réglage d'air.

Réglages de l'obturateur d'air						
		Brûleur principal			Brûleur latéral à flammer	Brûleur latéral infrarouge
		FL365	F365	F425		
Taille de l'orifice	Propane	1.10mm	#62	#64	#65	# 63
	Gaz naturel	#52	#54	1.27mm	1.25mm	#55
Volet d'aération	Propane	Ouvert	0.500"	0.500"	Ouvert	-
	Gaz naturel	3/8 po par côté	0.375"	0.500"	Ouvert	-
Puissance calorifique (BTU/h)		15000	11000	9500	9000	10000

tableau 2

L'acier inoxydable dans les environnements difficiles

L'acier inoxydable s'oxyde ou se tache en présence de chlorures et de sulfures, en particulier dans les régions côtières, les zones chaudes et très humides, et autour des piscines et des jacuzzis. Ces taches ressemblent à de la rouille, mais elles peuvent être facilement éliminées ou évitées. Lavez les surfaces en acier inoxydable et en chrome toutes les 3 à 4 semaines. Nettoyez-les avec de l'eau chaude savonneuse.

Entretien du brûleur

Une chaleur extrême et un environnement corrosif peuvent entraîner une corrosion de la surface, même si le brûleur est fabriqué en acier inoxydable 304 à parois épaisses.

Entretien et protection des brûleurs infrarouges

Vos brûleurs infrarouges sont conçus pour offrir une longue durée de vie, mais vous devez veiller à éviter toute fissure de leurs surfaces en céramique. Les fractures entraîneront un dysfonctionnement des brûleurs.



IMPORTANT !

- Les dommages résultant du non-respect de ces instructions **NE SONT PAS** couverts par la garantie de votre grill.

Ventilation de l'air chaud

- L'air chaud doit pouvoir s'échapper du barbecue pour que les brûleurs fonctionnent correctement.
- Les brûleurs peuvent manquer d'oxygène si l'air chaud ne peut pas s'échapper, ce qui peut provoquer un retour de flamme. La céramique peut se fissurer si cela se produit de façon répétée.

Étapes pour éviter d'endommager les surfaces en céramique

1. Ne jamais éteindre une flamme ou contrôler les flambées avec de l'eau (**Fig. 27**)
2. Ne laissez pas l'eau froide (pluie, arroseur, tuyau, etc.) entrer en contact avec les brûleurs en céramique chauds. Un changement immédiat de température provoquera des fissures dans la plaque en céramique.
3. Un brûleur en céramique qui devient humide avant utilisation produira de la vapeur lors de son fonctionnement ultérieur et générera une pression qui fissurera la céramique.
4. Le trempage répété de la céramique peut la faire gonfler et se dilater, produisant une pression qui fera fissurer et s'effriter la céramique.
5. Inspectez la céramique pour vérifier une éventuelle infiltration d'eau si vous trouvez de l'eau stagnante dans le grill. Retirez le brûleur si la céramique est humide. Retournez-le pour évacuer l'excès d'eau. Rentez la céramique à l'intérieur pour la faire sécher complètement.
6. Ne laissez pas d'objets durs heurter le brûleur. Faites attention lorsque vous insérez ou retirez les grilles de cuisson et lorsque vous utilisez les accessoires.

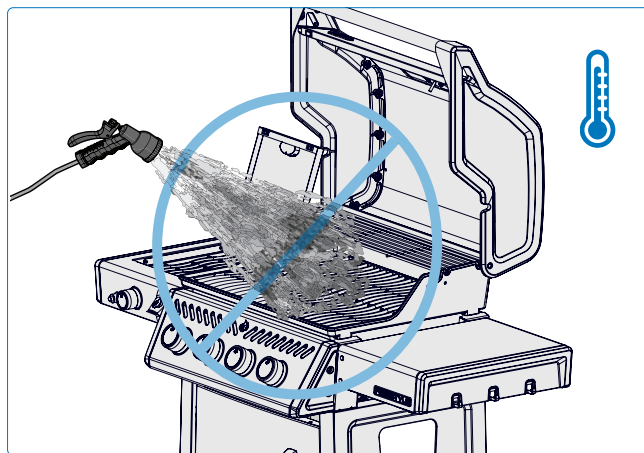


Fig. 27



DANGER !

- Coupez le gaz à la source et débranchez l'appareil avant toute intervention.
- L'entretien ne doit être effectué que lorsque le grill est froid afin d'éviter tout risque de brûlure.
- Un test d'étanchéité doit être effectué chaque année et lors du remplacement de tout composant du circuit de gaz, ou en cas d'odeur de gaz.



LA SÉCURITÉ D'ABORD!

Ne couvrez jamais plus de 75 % de la surface de cuisson de tout brûleur principal ou latéral avec un métal solide (par exemple, des plaques ou des poêles)

Dépannage

Problèmes d'éclairage

- Les brûleurs principaux, arrière ou latéraux ne s'allument pas avec l'allumeur, mais s'allument avec une allumette.
- Les brûleurs ne s'allument pas l'un l'autre.

	Causes possibles	Solution
Brûleur principal	La sortie JETFIRE™ est sale ou obstruée.	Nettoyez la sortie JETFIRE™ à l'aide d'une brosse à dents à poils souples.
	Les supports d'éclairage croisé sont sales ou corrodés.	Nettoyez-les ou remplacez-les si nécessaire.
Brûleurs arrière et latéraux	Flammes soulevées sur le brûleur.	Fermez le volet d'air conformément à la section « Instructions d'entretien » Réglage de l'air de combustion de ce manuel d'utilisation. IMPORTANT ! Cette opération doit être effectuée par un installateur de gaz qualifié.
	Le fil de l'électrode ou les fils de la borne de l'interrupteur sont lâches.	Vérifiez que le fil de l'électrode est bien enfoncé dans la borne située à l'arrière de l'allumeur. Vérifiez que les fils conducteurs reliant le module au commutateur d'allumage (le cas échéant) sont fermement enfoncés dans leurs bornes respectives.
	Batterie déchargée ou mal installée.	Remplacez-la par une batterie de première qualité à usage intensif.

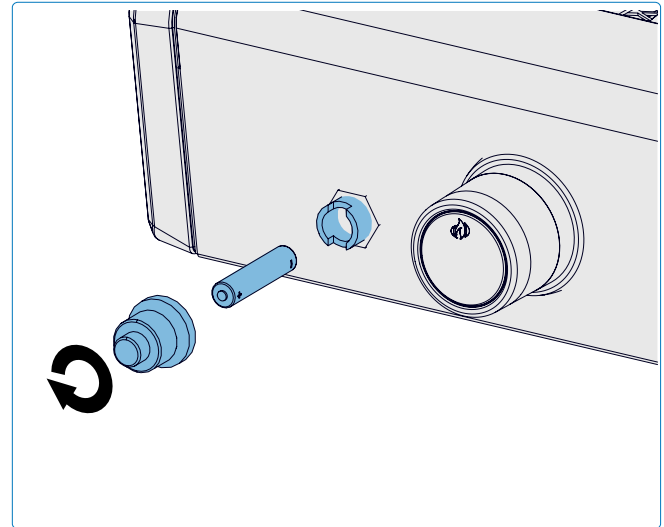


Fig. 28



ENREGISTREZ VOTRE BARBECUE !

Rendez-vous sur napoleon.com ou consultez votre guide d'assemblage pour obtenir des instructions sur les pièces de rechange.



NOUS VOULONS VOUS AIDER !

Napoleon est là pour s'assurer que votre expérience de grillade soit mémorable. Contactez-nous si vous avez besoin d'aide supplémentaire.

Bruits et flambées

- Ronflement du régulateur.
- Flammes excessives et chaleur inégale.

Causes possibles	Solution
Bruit de ronronnement normal les jours de chaleur.	Il ne s'agit pas d'un défaut. Cela est causé par des vibrations internes dans le régulateur et n'affecte pas les performances ni la sécurité du gril. Les régulateurs qui ronronnent ne seront PAS remplacés.
Le robinet de la bouteille a été ouvert trop rapidement.	Ouvrez lentement le robinet de la bouteille.
Plaques de saisie mal installées.	Assurez-vous que les plaques de saisie sont installées avec les trous vers l'avant et les fentes en dessous. Voir le guide des instructions de montage.
Chauffage incorrect.	Préchauffez le gril avec tous les brûleurs principaux à puissance maximale pendant 10 à 15 minutes.
Accumulation excessive de graisse et de cendres sur les plaques de cuisson et dans le bac d'égouttement.	Nettoyez régulièrement les plaques de saisie et le bac de récupération. Ne pas recouvrir le bac de papier d'aluminium. Reportez-vous aux « Instructions de nettoyage » pour plus de détails.

Débit de gaz

- Chaleur ou flamme faible lorsque la vanne est réglée sur **HIGH**.
- Les brûleurs produisent une flamme jaune, accompagnée d'une odeur de gaz.
- Les flammes s'éloignent du brûleur, ce qui s'accompagne d'une odeur de gaz et d'éventuelles difficultés d'allumage.
- Puissance du brûleur sur **HIGH**, mais réglage sur **LOW**. Bruit de grondement et flamme bleue vacillante à la surface du brûleur.

Causes possibles	Solution
Propane – procédure d'allumage incorrecte	Veillez à ce que la procédure d'allumage soit suivie scrupuleusement. Tous les robinets de gaz doivent être en position d'arrêt lorsque le robinet du réservoir est ouvert. Ouvrez lentement le réservoir pour permettre à la pression de s'équilibrer. Voir Fonctionnement – « Instructions d'allumage » pour plus de détails.
Gaz naturel – conduite d'alimentation sous-dimensionnée.	Le tuyau doit être dimensionné conformément au code d'installation.
Joint d'étanchéité défectueux autour de la tuile en céramique, ou défaut de soudure dans le boîtier du brûleur.	Laissez le brûleur refroidir et inspectez-le de très près pour vérifier qu'il n'y a pas de fissures. Contactez votre revendeur Napoléon agréé pour commander un brûleur de remplacement si vous constatez des fissures.
Gaz propane et gaz naturel – préchauffage incorrect	Préchauffez le gril avec les deux brûleurs principaux réglés sur HIGH pendant 10 à 15 minutes.

Causes possibles	Solution
Possibilité de toile d'araignée ou d'autres débris.	Nettoyez soigneusement le nid ou les toiles de l'orifice du brûleur en le retirant et en suivant les instructions de ce manuel. Voir « Grille anti-insectes et orifices des brûleurs » pour plus de détails.
Mauvais réglage de l'obturateur d'air.	Ouvrez ou fermez légèrement le volet d'air conformément à ce manuel. Voir " Instructions d'entretien ". IMPORTANT ! Cette opération doit être effectuée par un installateur de gaz qualifié.
Manque de gaz.	Vérifiez le niveau de gaz dans la bouteille.
Le tuyau d'alimentation est pincé.	Repositionner le tuyau d'alimentation si nécessaire.
Régulateur de pression de gaz en état de faible débit.	Éteignez les brûleurs et fermez la vanne de la bouteille, attendez 5 minutes avant de rouvrir complètement la vanne, laissez quelques secondes pour que la pression s'équilibre avant de suivre les instructions d'allumage pour démarrer le gril. Assurez-vous que la procédure d'allumage est suivie avec soin à chaque fois que vous cuisinez. Toutes les vannes de gaz doivent être fermées lorsque la vanne de la bouteille est ouverte. Ouvrez toujours le robinet du réservoir lentement.

Peinture écaillée

- La peinture semble s'écailler à l'intérieur du couvercle ou du capot.

Causes possibles	Solution
Accumulation de graisse sur les surfaces intérieures.	Il ne s'agit pas d'un défaut. Le couvercle et la hotte sont recouverts de porcelaine ou d'acier inoxydable, qui ne s'écaillent pas. Ce qui semble s'écailler est en fait de la graisse durcie qui sèche et forme des flocons semblables à de la peinture. Un nettoyage régulier permettra d'éviter cette accumulation. Voir « Instructions de nettoyage » pour plus de détails.

Le brûleur infrarouge clignote

- Pendant le fonctionnement, le brûleur émet soudainement un bruit fort, suivi d'un bruit continu semblable à celui d'un chalumeau, et s'affaiblit ou produit une grande flamme au démarrage.

Causes possibles	Solution
Tuiles en céramique surchargées de graisse et de dépôts. Les orifices sont obstrués.	Éteignez le brûleur Turner et laissez-le refroidir pendant au moins 2 minutes. Rallumez le brûleur et laissez-le brûler à feu vif pendant au moins 5 minutes, ou jusqu'à ce que les carreaux de céramique soient uniformément rouges.
Le brûleur a surchauffé en raison d'un problème de ventilation. La surface du gril est trop recouverte par la plaque ou la poêle.	Assurez-vous que pas plus de 75 % de la surface du gril n'est couverte par des objets ou accessoires. Éteignez le brûleur et laissez-le refroidir pendant au moins 2 minutes. Rallumez.
Joint d'étanchéité défectueux autour de la tuile en céramique, ou défaut de soudure dans le boîtier du brûleur.	Laissez refroidir le brûleur et inspectez-le minutieusement pour détecter d'éventuelles fissures. Contactez votre revendeur Napoleon agréé pour commander un brûleur de rechange si vous constatez des fissures.
Chauffage incorrect.	Préchauffez le gril avec les deux brûleurs principaux à puissance maximale pendant 10 à 15 minutes.
Accumulation excessive de graisse et de cendres sur les plaques de saisie et dans le bac de récupération.	Nettoyez régulièrement les plaques de saisie et le bac de récupération. Ne pas recouvrir le bac de papier d'aluminium. Reportez-vous à la section « Instructions de nettoyage ».

GARANTIE DE 10 ANS NAPOLEON®

Pour les modèles REBEL®

Les produits Napoleon® sont conçus avec des composants et des matériaux de qualité supérieure et sont assemblés par des artisans qualifiés qui sont très fiers de leur travail. L'ensemble brûleur et vanne est testé contre les fuites et mis à l'essai dans une station de contrôle qualité. Ce barbecue a été soigneusement inspecté par un technicien qualifié avant l'emballage et l'expédition afin de garantir que vous, le client, receviez le produit de qualité que vous attendez de Napoleon®.

Merci d'avoir acheté un produit Napoleon®. Napoleon® (Wolf Steel Ltd,® Barrie, ON, Canada) garantit que les composants de votre nouveau produit Napoleon® seront exempts de défauts de matériaux et de fabrication à compter de la date d'achat, pour une période de 10 ans.



Capot.....	10 ans
Couvercle en émail de porcelaine.....	10 ans
Pièces moulées en aluminium.....	10 ans
Brûleurs tubulaires en acier inoxydable.....	10 ans
Plaques de saisie en émail de porcelaine.....	10 ans
Grilles en fonte émaillée de porcelaine.....	10 ans
Brûleur latéral infrarouge.....	10 ans
Toutes les autres pièces.....	10 ans

CONDITIONS ET LIMITATIONS DE LA GARANTIE

Cette garantie volontaire crée une période de garantie de 10 ans pour les produits achetés auprès d'un revendeur agréé Napoleon® et donne droit à l'acheteur initial (ou au bénéficiaire dans le cas où un nouveau produit est offert en cadeau) à la couverture spécifiée pour tout composant remplacé pendant la période de garantie, soit par Napoleon®, soit par un revendeur agréé Napoleon®, afin de remplacer un composant de ce produit qui a échoué lors d'une utilisation privée normale en raison d'un défaut de fabrication. Cette garantie ne couvre pas les accessoires ou les articles bonus.

Pour plus de clarté, « utilisation privée normale » d'un produit signifie que le produit : a été installé (le cas échéant) par un technicien ou un entrepreneur agréé et autorisé, conformément aux instructions d'installation fournies avec le produit et à tous les codes locaux et nationaux du bâtiment et de prévention des incendies ; a été correctement nettoyé et entretenu selon les instructions ; et n'a pas été utilisé comme commodité commune ou dans une application commerciale. En cas d'utilisation dans des applications communes ou commerciales (lorsque cela est approuvé), la garantie est réduite à une période de deux (2) ans.

De même, « défaillance » n'inclut pas : les dommages causés par une surchauffe, les explosions dues à des conditions environnementales telles que des vents forts ou une ventilation inadéquate, les rayures, bosses, corrosion, détérioration des finitions peintes et plaquées, décoloration causée par la chaleur, les nettoyants abrasifs ou chimiques ou l'exposition aux UV, l'écaillage des pièces émaillées de porcelaine, ou les dommages causés par une mauvaise

utilisation, un accident, la grêle, les feux de graisse, le manque de nettoyage et d'entretien, des environnements hostiles tels que le sel ou le chlore, les modifications, l'abus, la négligence ou les pièces installées provenant d'autres fabricants. Si vous vivez dans une zone côtière ou si votre produit est situé près d'une piscine ou d'un spa, l'entretien comprend un lavage et un rinçage réguliers des surfaces extérieures comme indiqué dans le manuel du propriétaire, afin de prévenir la corrosion de surface. Si une détérioration des pièces survient au point de nuire au fonctionnement (rouillées ou brûlées à travers) pendant la durée de la garantie, une pièce de rechange sera fournie. Les pièces remplacées dans le cadre de cette garantie sont garanties uniquement pour la durée restante de la période de garantie initiale de dix (10) ans mentionnée ci-dessus.

Le composant de remplacement est la seule responsabilité de Napoleon® telle que définie par cette garantie ; en aucun cas Napoleon® ne sera responsable de l'installation, de la main-d'œuvre ou de tout autre coût ou dépense liés à la réinstallation d'une pièce garantie, ni de tout dommage accessoire, consécutif ou indirect, ni des frais de manutention, de transport ou de droits d'exportation.

L'utilisation et/ou l'installation de pièces sur votre produit Napoleon® qui ne sont pas des pièces d'origine Napoleon® annulera cette garantie, et tout dommage en résultant ne sera pas couvert par cette garantie. Toute conversion d'un barbecue à gaz non autorisée par Napoleon® et effectuée par un technicien de service agréé par Napoleon® annulera cette garantie.

NAPOLEON®

CÉLÉBRATION DE PLUS DE 40 ANS DE LIVRAISON DE PRODUITS DE CONFORT DOMESTIQUE



NAPOLEON® products are protected by one or more U.S. and Canadian and/or foreign patents or patents pending.

Les produits de NAPOLEON® sont protégés par un ou plusieurs brevets américains, canadiens et/ou étrangers au par des brevets en instance.

Los productos NAPOLEON® están protegidos por una o más patentes o patentes pendientes en E.U., Canadá y/u otros países.



Adresse

Wolf Steel Ltd.

24 Napoleon Road, Barrie,
Ontario, L4M 0G8 Canada

103 Miller Drive, Crittenden,
Kentucky, 41030, USA

7200 Trans Canada Highway,
Montreal, Quebec H4T 1A3,
Canada



Téléphone

Canada

1-866-820-8686

En ligne

✉ grills@napoleon.com

🌐 www.napoleon.com



REBEL[®]

Manual del usuario

RBL-2, RBL-3, RBL-4

Las parrillas que se muestran en este manual pueden diferir del modelo adquirido.



Queremos tu opinión!

Visita [Napoleon.com](https://www.napoleon.com) para escribir tu comentario.



Aplicar número de serie

FELICIDADES POR ADQUIRIR TU ¡PARRILLANAPOLEON®!

Acaba de mejorar su experiencia con las barbacoas.



**NUESTRO OBJETIVO ES HACER QUE TU EXPERIENCIA AL COCINAR
SEA MEMORABLE Y SEGURA.**

🔥 Lea este manual del propietario antes de utilizar el aparato para evitar daños materiales, lesiones personales o la muerte.

🔥 Retire todo el material de embalaje, las etiquetas promocionales y las tarjetas de la parrilla antes de usarla.

UTILIZAR AL AIRE LIBRE EN UN ESPACIO BIEN VENTILADO.

⚠️ PELIGRO ⚠️

SI HUELE A GAS:

- Cierre suministro de gas al aparato.
- Apague cualquier llama abierta.
- Abra la tapa.
- Si el olor persiste, manténgase alejado del aparato y llame inmediatamente a su proveedor de gas o a los bomberos.

⚠️ ¡ADVERTENCIA! ⚠️

No intente encender este aparato sin haber leído la sección de instrucciones de "ENCENDIDO" de este manual.

No almacene ni utilice gasolina u otros líquidos o vapores inflamables cerca de éste o de cualquier otro aparato.

No se debe almacenar una bombona de gas propano (LP) que no esté conectada para su uso cerca de este u otro aparato.

Si no se sigue exactamente la información de estas instrucciones, puede producirse un incendio o una explosión y causar daños materiales, lesiones personales o la muerte.



Alerte a adultos y niños sobre el peligro de temperaturas elevadas de las superficies.



Supervise a los niños pequeños cerca de la parrilla.

AVISO PARA EL INSTALADOR: Deje estas instrucciones con el propietario de la parrilla para futuras referencias.

AVISO AL CONSUMIDOR: Conserve estas instrucciones para futuras consultas.

¡Bienvenido a Napoleón!

La seguridad ante todo

¡ATENCIÓN!

Información general

Esta parrilla debe instalarse de conformidad con las normas locales. En ausencia de códigos locales, instálela de acuerdo con el Código de Instalación de Gas Natural y Propano CSA B149.1 vigente en Canadá, o con el Código Nacional de Gas Combustible ANSI Z223.1/NFPA 54 vigente en los Estados Unidos.

Si se utiliza un motor de asador, debe estar conectado a tierra de acuerdo con las normas locales. En ausencia de códigos locales, siga el Código Eléctrico Canadiense CSA C22.1 vigente en Canadá, o el Código Eléctrico Nacional ANSI/NFPA 70 en los Estados Unidos.

¡ATENCIÓN!

Instalación y montaje

Monte esta parrilla exactamente como se indica en la guía de montaje. Si la parrilla se ha montado en la tienda, revise las instrucciones de montaje para asegurarse de que se ha hecho correctamente.

No instalar en vehículos recreativos ni embarcaciones.

Realice la prueba de fugas necesaria antes de poner en funcionamiento la parrilla.

No modifique esta parrilla bajo ninguna circunstancia.

No utilice un cilindro que no esté equipado con una conexión de tipo QCC1.

Utilice únicamente el regulador de presión y el conjunto de mangueras suministrados con esta parrilla o piezas de repuesto específicamente recomendadas por Napoleon.

¡ATENCIÓN!

Almacenamiento y desuso

Cierre el suministro de gas desde la bombona o desde la válvula de gas natural. Desconecte la manguera entre la bombona de gas y la parrilla. Retire la bombona de gas y guárdela en un lugar al aire libre bien ventilado, lejos del alcance de los niños.

NO guarde las bombonas de gas en un edificio, garaje, cobertizo o cualquier otro espacio cerrado. Desconecte la conexión de gas natural del suministro cuando guarde la parrilla en el interior.

¡ATENCIÓN!

Funcionamiento

Lea todo este manual del propietario antes de utilizar esta parrilla. Compruebe la estanqueidad del sistema de gas antes de utilizarlo por primera vez, cada vez que se cambie o se rellene la botella, cuando se vuelva a conectar o se repare cualquier conexión de gas, o cada vez que huelga gas o observe daños. Siga atentamente las instrucciones de iluminación.

¡ATENCIÓN!

Proposición 65 de California

Este producto puede exponerle a sustancias químicas, incluido el hollín, de las que el Estado de California tiene constancia que causan cáncer, y a sustancias químicas, incluido el monóxido de carbono, de las que el Estado de California tiene constancia que causan defectos de nacimiento u otros daños reproductivos. Para más información vaya a www.P65Warnings.ca.gov.

CONTENIDO

¡Bienvenido a Napoleón!	75
La seguridad ante todo	75
Características completas del sistema	77
Prácticas adicionales de funcionamiento seguro	78
Ubicación de la parrilla	80
Conexiones de gas	81
Prueba de fugas	83
Operación	84
Encendido de la parrilla	84
Instrucciones para asar	86
Cómo usar el asador	88
Lista de comprobación de la experiencia culinaria	90
Cómo curar las parrillas de hierro fundido	91
Guía para asar con infrarrojos	92
Instrucciones de limpieza	93
Primer uso	93
Rejillas de hierro fundido	93
Rejillas de acero inoxidable	93
Quemador lateral infrarrojo	93
Interior de la parrilla	94
Esmalte porcelánico	94
Bandeja recogegrasa	94
Panel de control	95
Fundición de aluminio	95
Superficie exterior de la parrilla	95
Rejilla antiinsectos y orificios de los quemadores	96
Instrucciones de mantenimiento	97
Recomendaciones	97
Ajuste del aire de combustión	97
Inoxidable en ambientes difíciles	99
Solución de problemas	100
Garantía	107

Características completas del sistema

Medidor de temperatura **ACCU-PROBE™** para leer fácilmente la temperatura y obtener resultados perfectos.

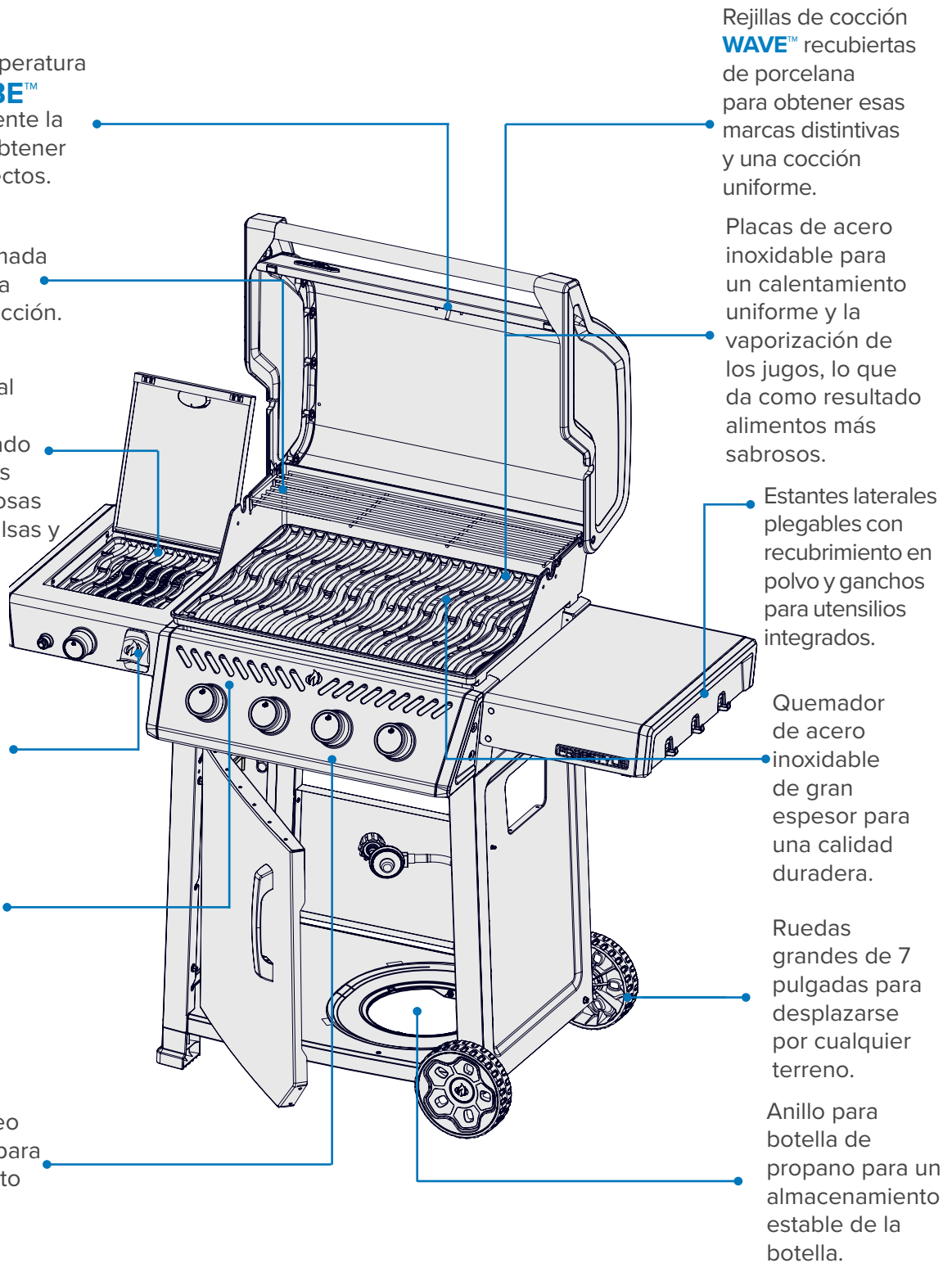
Gran rejilla calefactora cromada para aumentar la superficie de cocción.

Quemador lateral infrarrojo para opciones de asado versátiles con las que crear deliciosas guarniciones, salsas y mucho más.

Abrebotellas integrado cerca de la zona de cocción.

Encendido instantáneo **JETFIRE™** para un arranque rápido y fácil.

Bandeja de goteo de fácil acceso para un mantenimiento eficiente.



! Las parrillas que aparecen en este manual del propietario pueden diferir del modelo que ha adquirido. Modelo destacado: FREESTYLE PROSIB.

Para comenzar



¡PELIGRO!

Advierte de un peligro que puede provocar un incendio, una explosión, la muerte o lesiones físicas graves.



¡ADVERTENCIA!

Advierte de un peligro que puede provocar lesiones físicas leves o daños materiales.



No fume mientras realiza una prueba de fuga de gas. Las chispas o las llamas pueden provocar un incendio, una explosión, daños materiales, lesiones físicas graves o la muerte.



No utilice nunca una llama abierta para comprobar si hay fugas de gas. Las chispas o las llamas pueden provocar un incendio, una explosión, daños materiales, lesiones físicas graves o la muerte.



¡CUIDADO! Superficie caliente.



Cierre inmediatamente el suministro de gas y desconéctelo.



Utilice gafas de seguridad.



Llevar guantes de protección.



Información importante.

Prácticas adicionales de funcionamiento seguro

- No pase la manguera por debajo de la bandeja de goteo. Mantenga una distancia adecuada entre la manguera y la parte inferior de la unidad.
- Asegúrese de que las placas de sellado estén colocadas correctamente según las instrucciones de instalación de las placas de sellado.
- Los controles de los quemadores deben estar apagados al abrir la válvula de la bombona de gas.
- No encienda los quemadores con la tapa cerrada.
- No cierre la tapa del quemador lateral cuando esté en funcionamiento o caliente.
- No fría alimentos en el quemador lateral.
- No ajuste las parrillas de cocción cuando estén en funcionamiento o calientes.
- No mueva el aparato durante su uso.
- Cierre el suministro de gas en la fuente después de su uso.
- No modifique el aparato.
- El mantenimiento solo debe realizarse cuando la parrilla esté fría.
- No guarde encendedores, cerillas ni ningún otro material combustible dentro de la carcasa o la bandeja de condimentos.
- Mantenga todos los cables de alimentación eléctrica y las mangueras de suministro de combustible alejados de todas las superficies calientes.
- Limpie la bandeja recoge grasa, la bandeja de goteo y las placas de sellado con regularidad para evitar la acumulación de grasa y los incendios.

- No permita que el agua fría (lluvia, rociadores, mangueras, etc.) entre en contacto con la parrilla caliente. Un cambio brusco de temperatura puede astillar la porcelana y agrietar los quemadores de cerámica.
- No utilice una hidrolavadora para limpiar ninguna parte de la parrilla.
- No coloque esta parrilla en lugares expuestos a vientos fuertes, especialmente cuando el viento pueda soplar directamente desde detrás de la parrilla.
- No utilice el aparato bajo ningún tipo de construcción combustible.
- Nunca cubra más del 75 % de la superficie de cocción.
- Este aparato debe mantenerse alejado de materiales inflamables mientras esté en uso.
- Mantenga siempre una distancia adecuada con respecto a los materiales combustibles: 610 mm (24 pulgadas) en la parte trasera de la unidad y 178 mm (7 pulgadas) en los laterales.
- Se recomienda una distancia adicional de 610 mm (24 pulgadas) cerca de revestimientos de vinilo o paneles de vidrio.
- La temperatura ambiente mínima para un uso seguro del aparato es de 0 °F (-17,8 °C).



¡ADVERTENCIA!

- La conexión y la instalación del gas y la manguera deben ser realizadas por un instalador de gas autorizado, y se debe comprobar que no haya fugas antes de poner en funcionamiento la parrilla.
- Asegúrese de que las mangueras no entren en contacto con ninguna superficie caliente de la parrilla.
- Las partes accesibles pueden estar muy calientes. Mantenga alejados a los niños pequeños.

Ubicación de la parrilla

Asegúrese de que la ubicación de su parrilla de gas cumpla con todos los requisitos de espacio libre con respecto a los combustibles adyacentes. Este aparato está diseñado para ser utilizado en un patio o jardín.

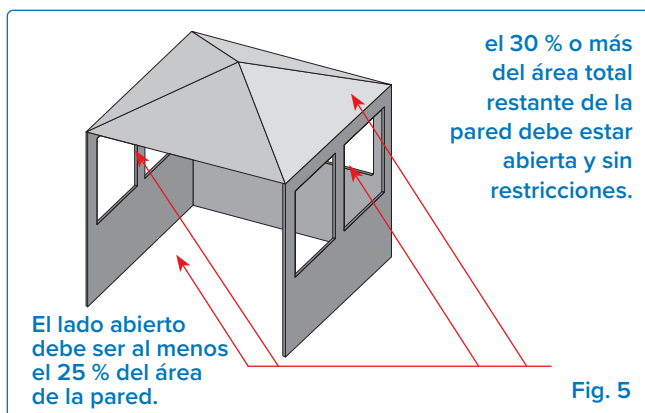
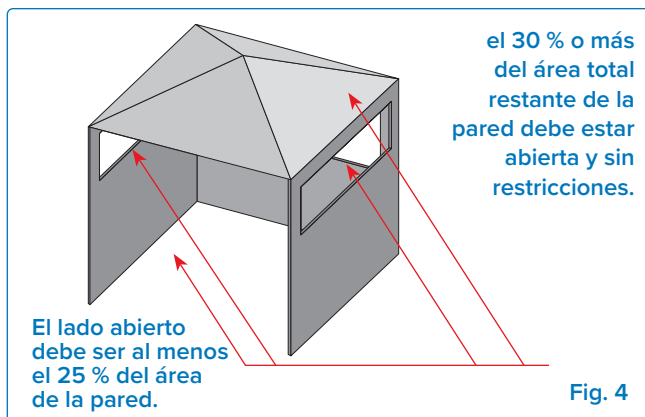
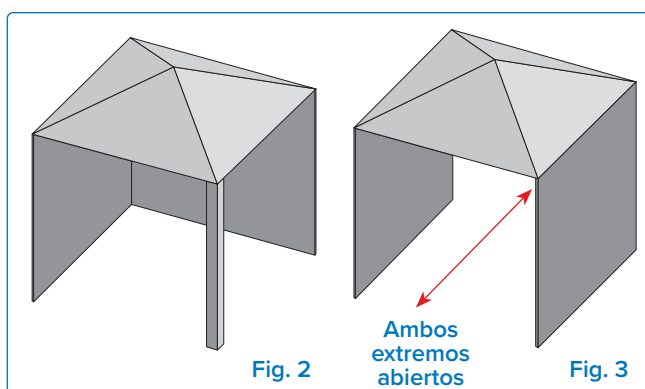
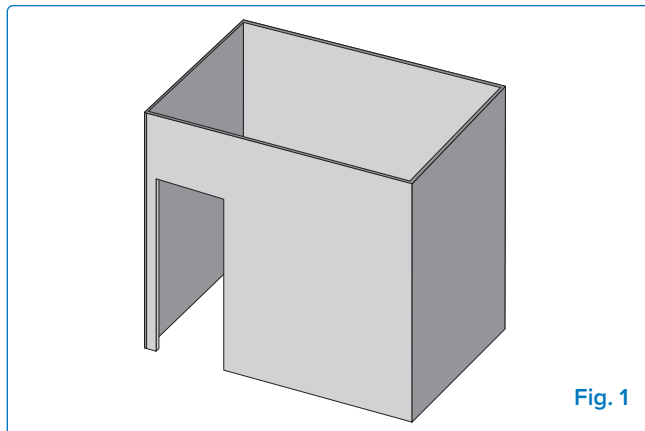
- Utilice el aparato sólo en un lugar al aire libre, por encima del suelo, con ventilación natural y sin zonas estancadas. Asegúrese de que las fugas de gas y los productos de la combustión se dispersen rápidamente por el viento y la convección natural.
- No utilice el aparato en un edificio, garaje u otro espacio cerrado.
- No integre el aparato en una construcción empotrada o deslizante.
- No obstruya las aberturas de ventilación de la caja del cilindro.

Cualquier recinto en el que se utilice el aparato debe cumplir uno de los siguientes requisitos:

- Se considera que el aparato está al aire libre si se instala en un refugio con paredes en tres lados pero sin cubierta superior. **(Fig. 1).**
- Se considera que un aparato está al aire libre si está instalado en un refugio con una cubierta superior y no más de dos paredes laterales.
 - » Las paredes laterales pueden ser paralelas, como en un corredor, o perpendiculares entre sí. **(Fig. 2 y Fig. 3).**
- Se considera que un aparato está al aire libre si está instalado en un recinto con tres paredes laterales y una cubierta superior, siempre que el 30% o más de la periferia horizontal del recinto esté permanentemente abierta. **(Fig. 4 y Fig. 5).**

¡IMPORTANTE!

- Todas las aberturas deben estar permanentemente abiertas.
- Las puertas correderas, puertas de garaje, ventanas o aberturas con mosquitera no se consideran aberturas permanentes.



Conexiones de gas

A una bombona de propano: Opción 1

Utilice únicamente una bombona de propano de 9,1 kg (20 lb.) construida y marcada de acuerdo con las Especificaciones para bombonas de gas LP del Departamento de Transporte de EE.UU. (D.O.T.) o la Norma para bombonas, esferas y tubos para el transporte de mercancías peligrosas y la Comisión, CAN/CSA-B339, según corresponda.

Utilice únicamente un regulador de presión de gas especificado por Napoleon. El regulador debe suministrar una presión de 11 pulgadas de columna de agua (0,39 psi) y tener un accesorio de tipo QCC1.

El dispositivo de conexión de la botella debe ser compatible con la conexión de este aparato para uso en exteriores.

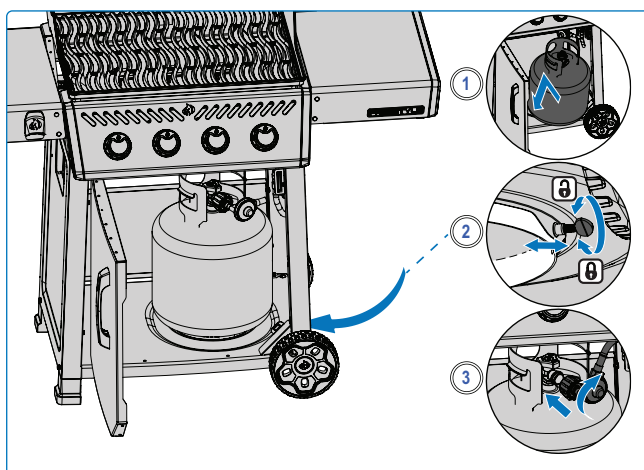
La botella de gas debe tener:

- Una válvula de cierre con una conexión QCC1
- Un dispositivo de seguridad
- Un collarín para proteger la válvula
- Un dispositivo de protección contra sobrellenado listado

Conexión e instalación

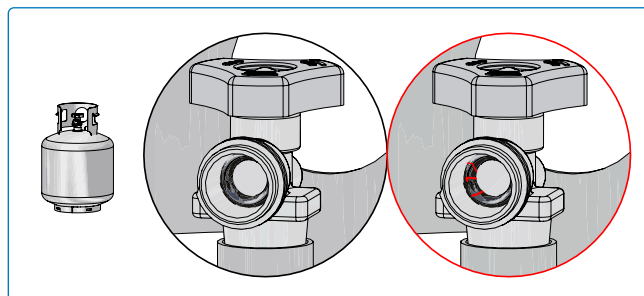
- Compruebe que la botella no presente abolladuras ni óxido y haga que su proveedor de propano la inspeccione.
- No utilice nunca una botella con la válvula dañada.
- Coloque la botella en su zona designada en el estante inferior.
- Asegúrese de que la manguera del regulador de gas no tiene dobleces.
- Retire la tapa o el tapón de la válvula de combustible del cilindro.
- Inserte la boquilla negra del regulador QCC1 en la válvula de combustible QCC1. Apriete a mano hacia la derecha. No utilice herramientas.

- Asegúrese de que la manguera no entre en contacto con la bandeja de goteo ni con ninguna superficie de alta temperatura de la parrilla, ya que se derretirá y provocará un incendio.
- Compruebe que no haya fugas en todas las juntas antes de poner en funcionamiento la parrilla. Consulte «Prueba de fugas»..
- El cilindro debe montarse de forma que la salida de la válvula de alivio de presión no esté orientada hacia la posición normal de funcionamiento del usuario.



NOTA: Inspeccione el sello de la válvula del cilindro de gas LP en busca de grietas, desgaste o deterioro cada vez que se reemplace o rellene el cilindro.

Cualquier cilindro de gas LP que muestre signos de daño o deterioro, incluyendo grietas y picaduras visibles, debe ser devuelto sin usar al vendedor.



¡ADVERTENCIA!

- No almacene una botella de gas de repuesto debajo del

cabezal de la parrilla o de los quemadores laterales.

- Nunca utilice una bombona de gas que esté llena más del 80%.

A una línea de suministro de gas doméstico: Opción 2

- Las barbacoas de gas natural incluyen una manguera de suministro de gas y un sistema de desconexión rápida diseñados para gas natural y certificados para uso en exteriores.
 - Las tuberías de gas natural deben suministrar una presión de 7 pulgadas de columna de agua a la entrada de la parrilla.
 - No se suministran tuberías ni válvulas aguas arriba de la desconexión rápida.
 - La tubería de gas debe estar dimensionada para suministrar los BTU/h especificados en la placa de características, en función de la longitud del tramo de tubería.
 - Véase «**ADVERTENCIA! Información general**» de este manual para conocer los códigos de instalación.
1. La conexión a una línea de suministro de gas debe ser realizada por un instalador de gas autorizado y se debe comprobar que no haya fugas antes de poner en funcionamiento la parrilla.
 2. No coloque la manguera cerca de la bandeja de goteo ni por encima del panel trasero.
 3. Asegúrese de que la manguera no entre en contacto con ninguna superficie de alta temperatura.

Desconexión rápida

- No instale la desconexión rápida en dirección ascendente.
- Debe instalarse una válvula de cierre manual de fácil acceso antes de la desconexión rápida, y lo más cerca posible de ella.
- Conecte el extremo acampanado de la manguera al racor del extremo del tubo distribuidor o del tubo flexible (si procede).
- Apriete con dos llaves. No utilice sellador de roscas ni grasa para tubos.
- Compruebe que no haya fugas en todas las juntas antes de poner en funcionamiento la parrilla de gas. Consulte **la sección «Prueba de fugas»**.



¡ADVERTENCIA!

- Siga todas las especificaciones e instrucciones al pie de la letra para evitar incendios, explosiones, daños materiales, lesiones personales o la muerte.
- Desconecte la parrilla y su válvula de cierre individual del sistema de tuberías de suministro de gas durante cualquier prueba de presión superior a ½ psi (3,5 kPa).
- Cierre la válvula de cierre individual para aislar la parrilla del sistema de tuberías de suministro de gas durante cualquier prueba de presión igual o inferior a ½ psi (3,5 kPa).
- Compruebe si la manguera presenta abrasión excesiva, derretimiento, cortes o grietas. Si la manguera está dañada, debe sustituirse por un conjunto específicamente recomendado por Napoleon.



¡CUIDADO!

La tapa de la parrilla y toda la cámara de combustión pueden alcanzar temperaturas muy elevadas durante el uso.

Prueba de fugas

¿Por qué y cuándo realizar una prueba de fugas?

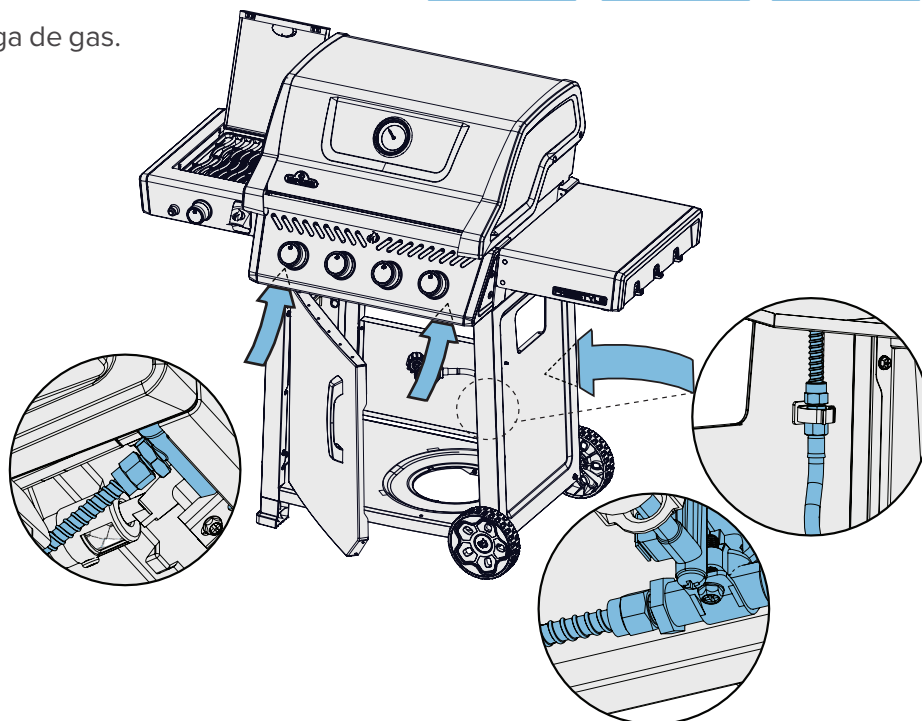
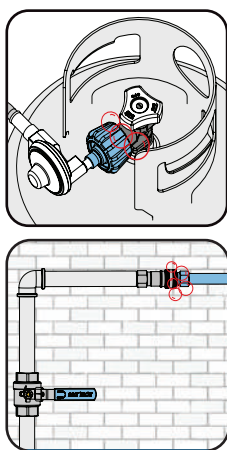
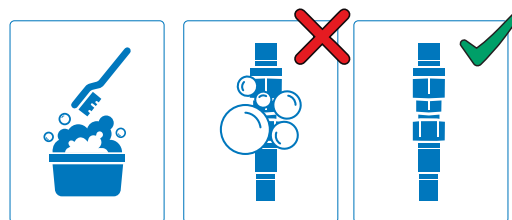
La prueba de fugas confirma que no hay fugas de gas después de conectar la manguera al suministro de gas. Cada vez que se rellene y se vuelva a instalar el tanque, asegúrese de que no haya fugas en el accesorio donde el regulador se conecta al tanque. Compruebe si hay fugas en esta parrilla antes de usarla, una vez al año y cada vez que se sustituya algún componente de gas.

Pasos para la prueba de fugas

1. No fume mientras realiza la prueba.
2. Retire todas las fuentes de ignición.
3. Gire todos los controles de los quemadores a la posición de apagado.
4. Abra la válvula de suministro de gas.
5. Aplique con un cepillo una solución de mitad y mitad de jabón líquido y agua en todas las juntas y conexiones del regulador, la manguera, los colectores y las válvulas.
6. Las burbujas indican una fuga de gas.

Si encuentra una fuga

1. Apriete todas las juntas sueltas.
2. Si no se puede detener la fuga, cierre inmediatamente el suministro de gas y desconecte la parrilla.
3. Haga que un instalador certificado o el distribuidor inspeccione la parrilla.
4. No utilice la parrilla hasta que se haya reparado la fuga.



¡PELIGRO!

- No utilice nunca una llama para comprobar si hay fugas de gas. Las chispas o las llamas pueden provocar un incendio, una

- explosión, daños materiales, lesiones físicas graves o la muerte.
- Utilice únicamente el regulador de presión y el conjunto de

mangueras suministrados con la parrilla, o uno que cumpla con las normas locales.

Operación

Encendido de la parrilla

¿Es la primera vez que la utiliza? Realice una combustión.

Retire la rejilla de calentamiento y encienda los quemadores principales a máxima potencia durante 30 minutos. Es normal que la parrilla emita un olor la primera vez que se enciende. Este olor se debe a la «quema» de pinturas y lubricantes internos utilizados en el proceso de fabricación y no volverá a producirse.



¡ADVERTENCIA!

- No utilice el quemador trasero ni el lateral mientras realiza la quema.

Encendido del quemador principal

1. Abra la tapa de la parrilla (**Fig. 7**).
2. Empuje y gire lentamente cualquier perilla del quemador principal en sentido antihorario hasta la posición ALTA hasta que se encienda la luz piloto. Siga presionando el mando de control hasta que se encienda el quemador y luego suéltelo (**Fig. 7-A, Fig. 8**).
3. Si el piloto no se enciende, gire inmediatamente la perilla de control en sentido horario hasta la posición OFF. Repita el paso 2.
4. Si el piloto y el quemador no se encienden en 5 segundos, gire la perilla de control en sentido horario hasta la posición OFF. Espere 5 minutos a que se disipe el gas (**Fig. 1**). Repita los pasos 2 y 3, o consulte las «Instrucciones de encendido alternativas» a continuación (**Fig. 11-12**).

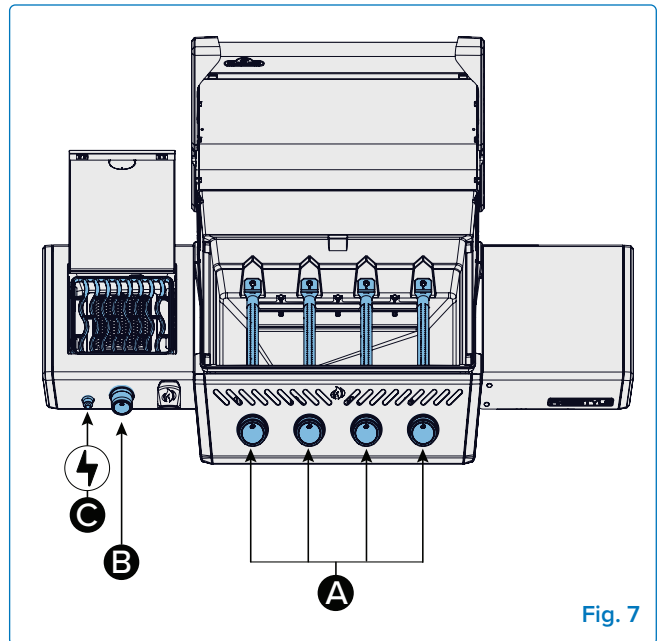


Fig. 7

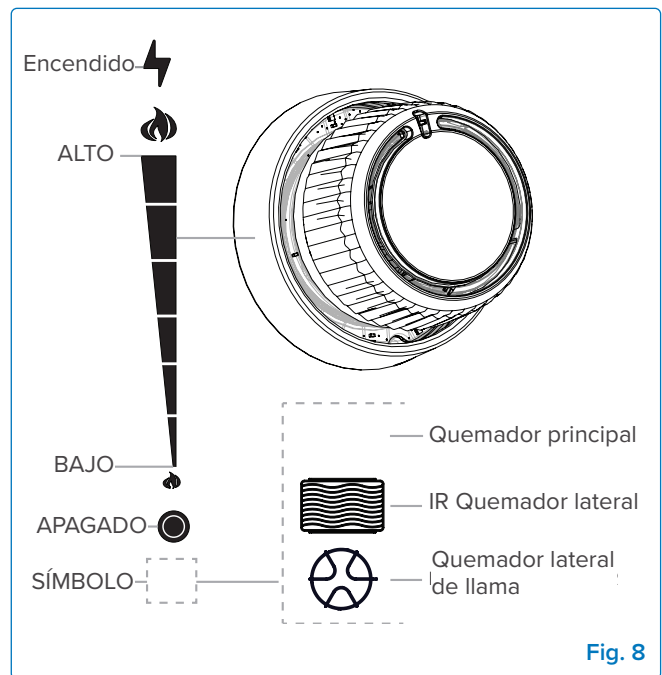


Fig. 8

Encendido del quemador lateral (si está equipado)

1. Abra la cubierta del quemador. **(Fig. 9).**
2. Presione y gire lentamente la perilla del quemador lateral en sentido antihorario hasta la posición ALTA hasta que la chispa encienda el quemador **(Fig. 7-B, Fig. 8).**
3. Siga presionando el mando de control hasta que se encienda el quemador y, a continuación, suéltelo.
4. Si el quemador no se enciende, gire la perilla de control del quemador en sentido horario hasta la posición OFF. Espere 5 minutos **(Fig. 2).** Repita los pasos 2 y 3, o consulte las «Instrucciones alternativas de encendido».

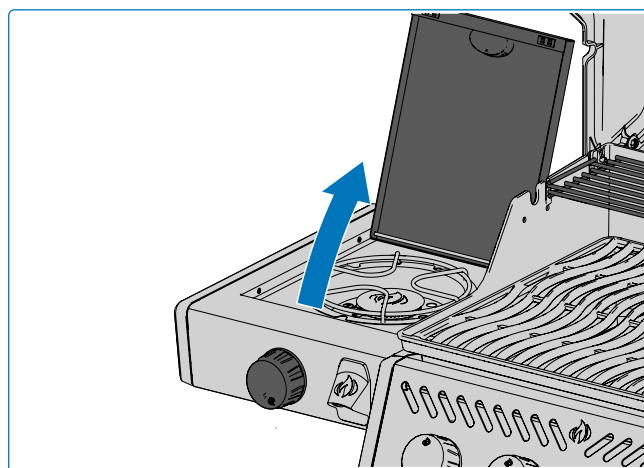


Fig. 9

Encendido del quemador lateral infrarrojo (si está equipado)

1. Abra la tapa del quemador **(Fig. 10)**
2. Presione y gire lentamente la perilla del quemador lateral en sentido antihorario hasta la posición ALTA **(Fig. 7-B, Fig. 8).**
3. Mantenga pulsado el botón del encendedor hasta que se encienda el quemador, o enciéndalo con una cerilla **(Fig. 7-C)**
4. Si el quemador no se enciende, gire la perilla de control del quemador en sentido horario hasta la posición OFF. Espere 5 minutos. Repita los pasos 2 y 3.

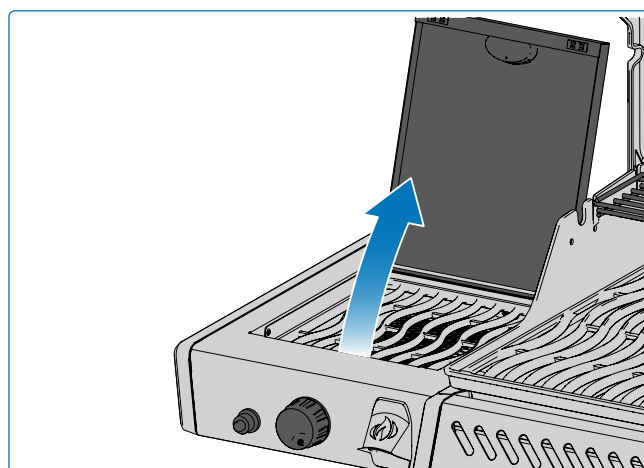


Fig. 10

Quemador principal

Quemador lateral

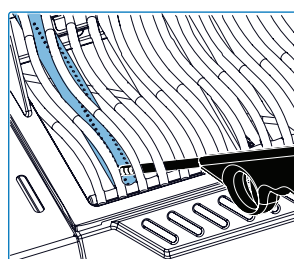


Fig. 11

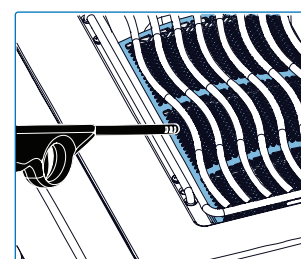


Fig. 12

Instrucciones de encendido alternativas

1. Abra la tapa del quemador/parrilla **(Fig. 11, Fig. 12)**
2. Encienda un mechero de largo alcance o un encendedor de butano y colóquelo cerca de los orificios del quemador.
3. Gire la perilla del quemador correspondiente en sentido antihorario hasta la posición ALTA hasta que se encienda.

¡ADVERTENCIA!

- Asegúrese de que todos los mandos de los quemadores están en la posición OFF antes de abrir lentamente la válvula de suministro de gas.
- Sigue atentamente las instrucciones de iluminación.
- Asegúrese de que la tapa de la parrilla esté ABIERTA mientras enciende el quemador.
- No ajuste las parrillas mientras la parrilla esté caliente o en funcionamiento.
- Limpie regularmente la grasa de toda la unidad, incluida la bandeja de grasa y las placas de sellado, para evitar la acumulación y los incendios por grasa.



Instrucciones para asar

Uso del quemador principal

- Precaliente la parrilla antes de dorar los alimentos encendiendo todos los quemadores principales a temperatura alta con la tapa cerrada durante aproximadamente 10 minutos.
- Los alimentos que se cocinan durante poco tiempo, como el pescado y las verduras, se pueden asar con la tapa abierta.
- Asar con la tapa cerrada garantiza temperaturas más altas y uniformes que cocinan la carne de manera más homogénea y pueden reducir los tiempos de cocción.
- Las parrillas se pueden engrasar antes de precalentar para reducir que se peguen los alimentos al asar carnes magras, como pechuga de pollo o cerdo.
- Los alimentos que tardan más de 30 minutos en cocinarse, como los asados, se pueden cocinar de forma indirecta con el quemador encendido en el lado opuesto al alimento. **Vea “Asado indirecto”.**
- Recorte el exceso de grasa de la carne o reduzca la temperatura de la parrilla para evitar llamaradas.
- Aleje los alimentos de las llamas y reduzca el calor. Deje la tapa abierta.

Cocción directa

Este método es ideal para dorar o cocinar alimentos rápidamente, como hamburguesas, filetes, pollo o verduras. Coloque los alimentos directamente sobre el calor en las rejillas de cocción. Selle primero la carne para retener los jugos y el sabor, luego baje la temperatura de la parrilla para terminar de cocinarla a su gusto (**Fig. 13**).

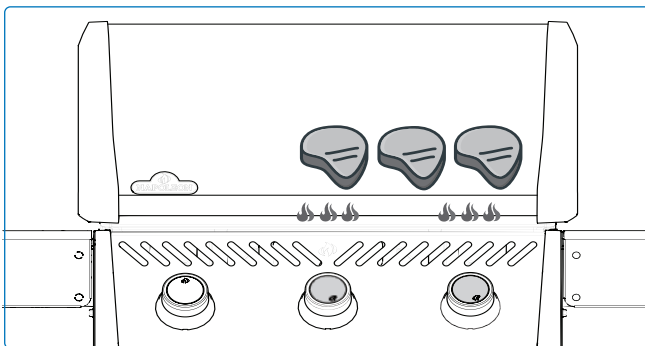


Fig. 13

Cocción indirecta

Este método utiliza temperaturas más bajas y calor indirecto para cocinar los alimentos de forma lenta y uniforme. Es ideal para cortes de carne más grandes o alimentos propensos a las llamaradas, como asados, pollos enteros o pavos.

Encienda uno o varios quemadores y coloque los alimentos en la parrilla donde no haya llama. La cocción lenta a bajas temperaturas ayuda a obtener resultados más tiernos y sabrosos (**Fig. 14**).

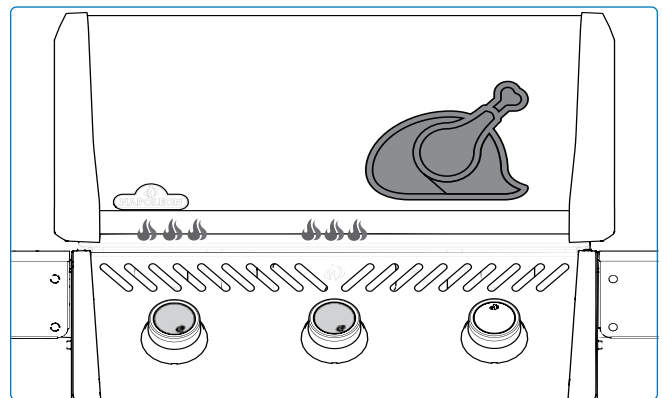


Fig. 14



CONSEJO DE UN PROFESIONAL DE LA PARRILLA!

Añada un accesorio ahumador Napoleon a su parrilla para dar sabor a la carne.



CONSEJO DE UN PROFESIONAL DE LA PARRILLA!

Utilice un termómetro para comprobar la temperatura interna de la carne y asegurarse de que está perfectamente cocinada.

Quemador lateral (si está equipado)

El quemador lateral con llama funciona como una placa de cocina y es ideal para preparar salsas, sopas o guisos. Utilice ollas o sartenes de no más de 10 pulgadas (25 cm) de diámetro. Para obtener el mejor rendimiento, utilice el quemador en un lugar protegido del viento.

Quemador lateral infrarrojo (si está equipado)

Para utilizar el quemador lateral, siga las instrucciones de «**Encendido del quemador lateral infrarrojo**». Cuando se ajusta a alta potencia, el calor infrarrojo proporciona una superficie uniforme para dorar. Algunos modelos incluyen una rejilla de cocción ajustable en altura para un mayor control.



¡IMPORTANTE!

- No cubra más del 75 % de la superficie del quemador infrarrojo con planchas o sartenes, ya que necesita una superficie abierta adecuada para una combustión y un flujo de calor correctos.



¡PELIGRO!

- Nunca ase alimentos directamente sobre el quemador lateral de llama. Está diseñado para utilizarse únicamente con ollas y sartenes.
- No cierre la tapa del quemador lateral mientras esté en funcionamiento o caliente.
- No deje alimentos sin vigilancia sobre los quemadores encendidos.
- No fría alimentos en el quemador lateral. Cocinar con aceite puede ser peligroso.
- Limpie regularmente la grasa de toda la unidad, incluida la bandeja de grasa y las placas de sellado, para evitar la acumulación y los incendios por grasa.

Cómo usar el asador

Montaje del kit para asar (si está incluido)



NOTA: Retire la rejilla calentadora antes de utilizar el espetón. El calor extremo dañará la rejilla calentadora.

1. Instale el motor del asador en el lateral de la parrilla utilizando los soportes de montaje. Algunos modelos tienen soportes premontados.
2. Una vez que el soporte esté fijado a la parrilla, deslice el motor del asador sobre el soporte.
3. Deslice la primera horquilla del asador hasta pasar el centro de la varilla del espetón y apriete para fijarla en su sitio. Enhebre la carne en la varilla del espetón y empújela hacia la horquilla. Deslice la segunda horquilla del asador en el extremo opuesto de la varilla del asador y empuje la horquilla hacia la carne hasta que quede bien sujeta. Apriete la horquilla en su sitio.
4. Inserte con cuidado el extremo puntiagudo de la varilla del espetón en el motor del asador y coloque el extremo opuesto sobre los ganchos. El lado más pesado de la carne colgará naturalmente para equilibrar la carga.
5. Deslice el casquillo de tope sobre la varilla del espetón hasta que pase por el interior de la campana. Esto asegurará el movimiento lateral de la varilla del espetón.
6. Apriete el casquillo de tope y el mango de la varilla del espetón. Coloque un recipiente metálico debajo de la carne para recoger los jugos que caigan.



¡IMPORTANTE!

- Utilice siempre guantes cuando manipule los componentes de la parrilla.

Consejos para utilizar el asador:

- Encienda los quemadores a temperatura alta hasta que la carne se dore. Reduzca el calor. Mantenga la tapa cerrada.
- Utilice un termómetro para comprobar la temperatura interna de la carne.
- Los asados y las aves deben dorarse por fuera y permanecer tiernos por dentro.
- Utilice los jugos para rociar y hacer la salsa.
- Un pollo de 3 libras tarda aproximadamente 1 hora y media a temperatura media-alta.
- Tenga en cuenta la capacidad del motor del asador. Nunca sobrecargue el equipo.
- Asegúrese de colocar siempre una carga equilibrada en el asador (**Fig. 15**).

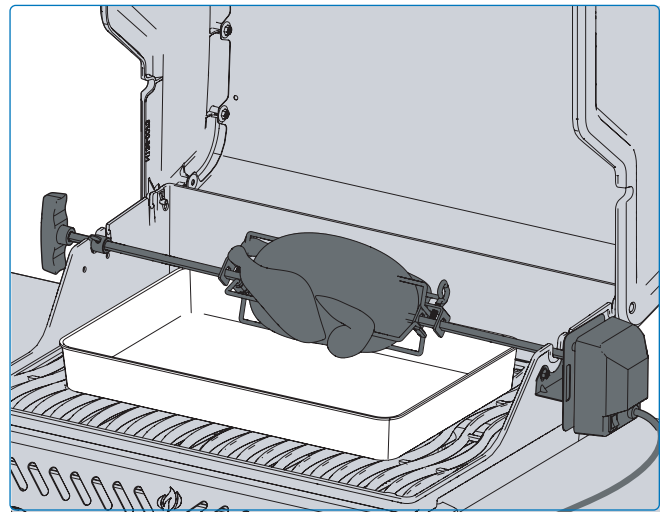


Fig. 15

Cómo cocinar varios pollos

1. Ate o ensarte las alas al cuerpo de los pollos.
2. Deslice el tenedor del asador sobre la varilla del espetón.
3. Enhebre el primer pollo en la varilla del espetón hasta que quede sujeto por el tenedor del asador. Apriete.
4. Enhebre los dos pollos siguientes en la varilla del espetón de modo que todos los pollos queden juntos.
5. Deslice el segundo tenedor del asador sobre la varilla del espetón y empújelo hacia el pollo hasta que los tres pollos queden bien sujetos entre sí. Apriete (**Fig. 16**).

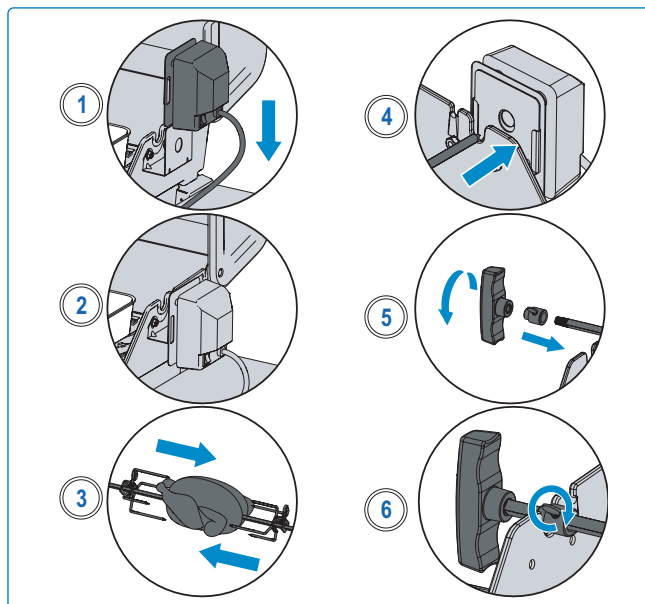


Fig. 16



¡ADVERTENCIA!

- Desmonte los componentes del asador cuando haya terminado de cocinar y se hayan enfriado, lávelos con agua tibia y jabón, y guárdelos en el interior.
- Nunca utilice una bombona de gas que esté llena más del 80%.
- Utilice guantes resistentes al calor para manipular los componentes calientes del asador.
- Desconecte el enchufe del asador de la toma de corriente cuando no utilice la parrilla.



¿SABÍA QUE?

Puede retirar las parrillas de cocción si interfieren con la cocción de cortes de carne más grandes, pero asegúrese de que estén frías al tacto antes de manipularlas.

Lista de comprobación de la experiencia culinaria

Consulte esta lista cada vez que cocine

Lea el manual del propietario

Asegúrese de haber leído el manual del propietario y todas las instrucciones de seguridad antes de utilizar la parrilla.

Limpie la bandeja de grasa

Limpie siempre la bandeja de grasa antes de cocinar para evitar incendios y llamaradas.

Compruebe la manguera

Asegúrese de que el aparato esté apagado y frío. Inspeccione la manguera para detectar desgaste excesivo, abrasiones o cortes. Sustitúyala inmediatamente si está dañada; no utilice una manguera en mal estado.

Compruebe si hay fugas

Utilice una solución de agua jabonosa para comprobar si hay fugas de gas antes de utilizarla por primera vez y periódicamente después. Las burbujas indican una fuga que debe repararse inmediatamente.

Precaliente el aparato

Cubra las rejillas de cocción con manteca vegetal o aceite de alto punto de humeo. Precaliente la parrilla para quemar los residuos y evitar que se peguen.

- **Rejillas de acero inoxidable:** Utilice un cepillo de acero inoxidable. Consulte **“Instrucciones de limpieza”** para obtener más detalles.
- **Rejillas de hierro fundido:** Límpielas con un cepillo de alambre de latón.



NOTA:

Las parrillas de acero inoxidable son resistentes a la corrosión y requieren menos mantenimiento que las de hierro fundido.

Área de preparación

Mantenga los utensilios, condimentos, salsas y platos para servir al alcance de la mano. Una zona de cocina bien organizada reduce el estrés y evita accidentes.

Nunca deje la comida sin vigilancia

Los alimentos desatendidos pueden quemarse rápidamente. Quédese cerca, especialmente cuando cocine alimentos grasos.

Dé la vuelta una vez y evite levantar la tapa

Al abrir la tapa con demasiada frecuencia se libera calor, lo que afecta al tiempo y la temperatura de cocción. Para obtener los mejores resultados, especialmente con filetes y pollo, voltee los alimentos solo una vez.

Deje espacio entre los alimentos

Deje suficiente espacio en la plancha o parrilla para que circule el aire y sea más fácil mover o cambiar de lugar los alimentos.

Utilice un termómetro

Utilice siempre un termómetro para alimentos para garantizar que la temperatura interna sea la adecuada. Esto es especialmente importante en el caso de las aves, las carnes picadas y los mariscos.

Evite amontonar los alimentos

Cocinar demasiada cantidad a la vez reduce la temperatura y da lugar a una cocción desigual.



ACEITES Y GRASAS RECOMENDADOS

- Aceite de aguacate
- Aceite de cártamo
- Aceite de girasol
- Sebo de vacuno

Si no dispone de estos, elija otro aceite con un punto de humeo alto. No utilice grasas saladas como mantequilla o margarina.



¡CONSEJO PROFESIONAL PARA COCINAR!

Precaliente siempre la parrilla antes de cocinar para quemar los residuos sobrantes y evitar que los alimentos se peguen a la parrilla.

Cómo curar las parrillas de hierro fundido



¡ATENCIÓN!

- Este procedimiento **DEBE** completarse antes del primer uso y repetirse cada 3-4 usos para mantener las rejillas como nuevas.

¿Por qué sazonar las parrillas de hierro fundido?

- **Protección contra el óxido:** El hierro fundido es poroso y se oxida fácilmente; el curado crea una barrera protectora.
- **Rendimiento antiadherente:** Las capas de aceite polimerizado forman una superficie natural que impide que los alimentos se peguen.
- **Sabor y longevidad:** mejora el sabor de los alimentos asados y a la parrilla, y prolonga la vida útil al prevenir la corrosión.

Instrucciones paso a paso

1. Retire las rejillas de hierro fundido de la parrilla.
2. Lávelas con agua tibia y jabón utilizando un paño suave. Aclárelas y séquelas con un paño. Deje que las rejillas se sequen completamente.
3. Utilice un aceite con un punto de humeo alto. Aplique una capa fina y uniforme en todas las superficies con un cepillo o una toalla.
4. Vuelva a colocar las rejillas en la parrilla a una temperatura de 176-204 °C (350-400 °F). Calentar durante 30-60 minutos.
5. Aplique 1-2 capas más, recalentando cada vez para obtener mejores resultados.
6. Las rejillas ya están curadas y listas para usar.



NOTA:

Si se forma óxido en las rejillas de hierro fundido, elimínelo con un estropajo o un cepillo de latón y repita el proceso de curado.



¡ADVERTENCIA!

- Limpie regularmente la grasa de todo el aparato, incluida la bandeja recoge-grasa, para evitar acumulaciones e incendios provocados por la grasa.
- No deje la comida desatendida.
- Vístase de forma segura. Evite la ropa holgada, las mangas largas y los accesorios colgantes mientras cocina sobre una llama abierta.

Mejores prácticas para el curado

- **Aplique solo capas finas de aceite**
Demasiado aceite puede crear un residuo pegajoso. Limpie el exceso antes de calentar.
- **Repita el curado con regularidad.** Hágalo cada 3 o 4 usos para mantener una superficie lisa y antiadherente y evitar la oxidación.
- **Utilice aceites con puntos de humeo altos**
Buenas opciones: aceite de aguacate, aceite de cártamo, aceite de girasol, sebo de vacuno. Evite la mantequilla o la margarina.
- **Evite los aerosoles antiadherentes.** Estos suelen contener aditivos que pueden obstruir la superficie.
- **El jabón está bien, solo hay que volver a engrasar después de lavar** El jabón suave no estropeará el curado. Seca completamente y aplica aceite después del lavado
- **Elimine el óxido** Si se forma óxido, frótelo con un estropajo o un cepillo de latón y vuelva a curarlo inmediatamente.
- **Precalienta antes de curar.** Calentar ligeramente la parrilla antes de aplicar aceite ayuda a que el recubrimiento se adhiera mejor.
- **Evite curar la parrilla en frío.** El metal frío no absorberá el aceite correctamente; caliéntelo primero para obtener mejores resultados.
- **Inspeccione las rejillas antes de cada uso.** Si la superficie parece opaca o seca, aplique una ligera capa de aceite antes de cocinar.
- **Guárdela en un lugar seco.** Si lo va a almacenar durante un periodo prolongado, aplique una ligera capa de aceite y mantenga la parrilla cubierta para evitar la acumulación de humedad.



CONSEJO PROFESIONAL

Descubra recetas inspiradoras y técnicas de cocción a la parrilla en los libros de cocina de Napoleon o en www.napoleon.com

Guía para asar con infrarrojos








Alimentación	Ajuste del mando de control	Tiempo de cocción	Sugerencias
 Bistec de 2,54 cm (1 pulgada) de grosor.	ALTO 2 minutos por cada lado	Poco hecho - 4 minutos	Pida grasa entreverada en el corte. La grasa es un ablandador natural y mantiene la carne jugosa.
	ALTO a MEDIO A fuego alto 2 minutos por cada lado y luego a fuego medio.	Medio - 6 minutos	
		Bien hecho - 8 miN.	
 Hamburguesa 1,27 cm de grosor	ALTO 2 minutos por cada lado.	Poco hecho - 4 min.	Mantenga el mismo grosor en todas las hamburguesas para una cocción uniforme. Cocinar a fuego indirecto las de 1 pulgada o más.
	ALTO 2 ½ minutos por cada lado.	Medio - 5 minutos	
	ALTO 3 min. por cada lado.	Bien cocidas 6 minutos	
 Pollo	ALTO, MEDIO, BAJO 2 minutos por cada lado y luego a fuego medio-bajo o bajo.	20 – 25 minutos	Cortar la articulación muslo-pierna $\frac{3}{4}$ para aplanar la carne y lograr cocción uniforme.
 Chuletas de cerdo	MEDIUM	6 minutos por cada lado	Elija cortes gruesos para una carne más tierna. Recorte el exceso de grasa.
 Costillas	ALTO a BAJO Alto durante 5 minutos y luego bajo hasta que esté listo.	20 minutos por cada lado dándole la vuelta a menudo	Elija costillas magras y carnosas. Asar hasta que la carne se desprenda fácilmente del hueso.
 Chuletas de cordero	ALTA a MEDIO Alto durante 5 minutos y luego Medio hasta terminar.	15 minutos por cada lado	Elija cortes gruesos para una carne más tierna. Recorte el exceso de grasa.
 Perros calientes	MEDIO a BAJO	4 - 6 minutos	Seleccione salchichas más grandes y córtelas a lo largo antes de asarlas.

Tabla 1

Estas son directrices generales. Consulte las recomendaciones de las autoridades sanitarias para obtener información más detallada.

Instrucciones de limpieza

Primer uso

1. Lave las rejillas de cocción a mano con agua tibia y jabón lavavajillas suave para eliminar cualquier residuo de fabricación. **No coloque** las rejillas en el lavavajillas.
2. Enjuague con agua caliente y seque bien con un paño suave para evitar que se oxide (**Fig. 17**).

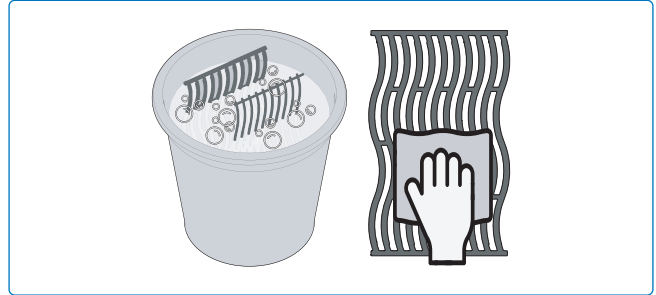


Fig. 17

Rejillas de hierro fundido

- Condimente las rejillas antes de usarlas para crear una capa protectora que ayude a prevenir el óxido. Para obtener instrucciones, consulte “**Cómo curar las rejillas de hierro fundido**”.

Rejillas de acero inoxidable

- Para limpiar, precaliente la parrilla y utilice un cepillo de alambre para eliminar los residuos de comida (**Fig. 18, 19, 20**).
- La decoloración es normal. Las parrillas de acero inoxidable se oscurecerán permanentemente con el tiempo debido a las altas temperaturas de la parrilla.

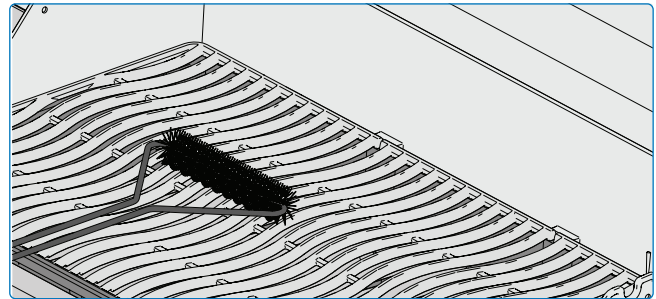


Fig. 18

Quemador lateral infrarrojo

- La mayoría de los jugos y partículas de comida se queman inmediatamente debido al intenso calor del quemador.
- **No** limpie la superficie cerámica con un cepillo de alambre, ya que podría dañarla.
- **No** utilice agua u otros líquidos para limpiar el quemador. Los cambios bruscos de temperatura pueden agrietar la baldosa cerámica.
- **Para limpiar:** Encienda el quemador y déjelo a potencia máxima durante 5-10 minutos para incinerar cualquier residuo restante.

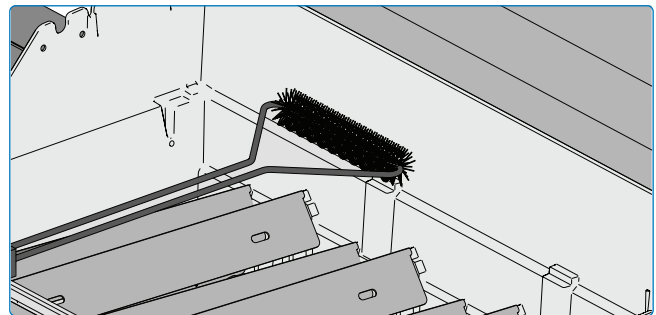


Fig. 19

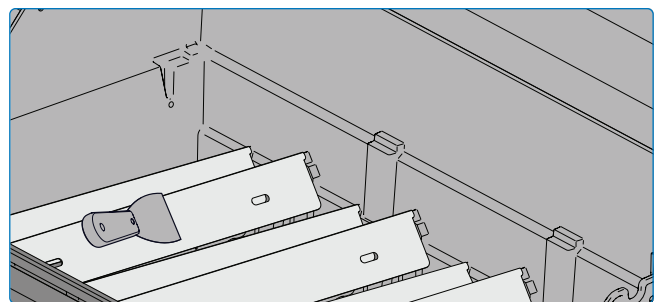


Fig. 20

¡PELIGRO!

- Utilice siempre guantes y gafas de protección para limpiar la parrilla.
- La grasa acumulada es un peligro de incendio.
- La limpieza solo debe realizarse cuando la parrilla esté fría para evitar posibles quemaduras.

Interior de la parrilla

1. Retire las rejillas de cocción.
2. Utilice un cepillo de alambre de latón para limpiar los restos sueltos de los laterales y la parte inferior de la tapa.
3. Raspe las placas de sellado con una espátula o un rascador. Utilice un cepillo de alambre para eliminar las cenizas.
4. Retire las placas de sellado y cepille los residuos de los quemadores con un cepillo de alambre.
5. Barra todos los restos que queden dentro de la parrilla hacia la bandeja de goteo (**Fig. 21, 22**).



Fig. 21

Esmalte porcelánico

Evite astillar o rayar el revestimiento de porcelana de las placas de cocción y la bandeja de goteo, ya que esto podría comprometer la resistencia a la corrosión. Utilice espátulas o rascadores de plástico para limpiar las piezas de porcelana.

Bandeja recogegrasa

Cada cabezal de parrilla, quemador lateral y quemador empotrado incluye una bandeja de goteo específica, accesible a través de las puertas del armario o de las aberturas designadas.

- La grasa y los jugos se acumulan en la bandeja recogegrasa situada debajo de la parrilla y pueden fluir hacia una bandeja de grasa desechable situada debajo (si está equipada).
- Utilice únicamente revestimientos homologados por Napoleon en la bandeja recogegrasa. **No** utilice papel de aluminio, arena ni ningún otro material no aprobado, ya que esto puede bloquear el flujo adecuado de la grasa.
- Limpie la bandeja recogegrasa cada 4-5 usos para evitar la acumulación de grasa (**Fig. 23**).

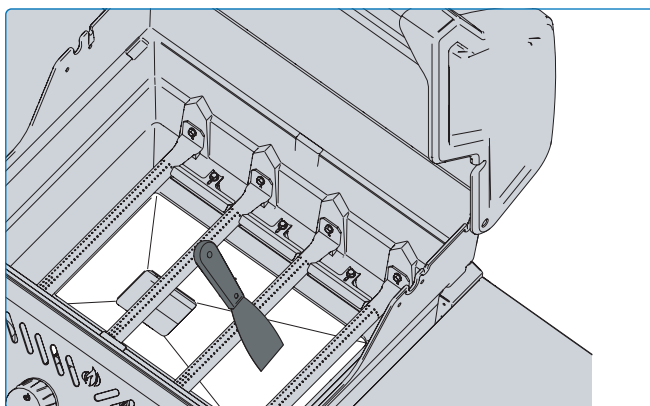


Fig. 22

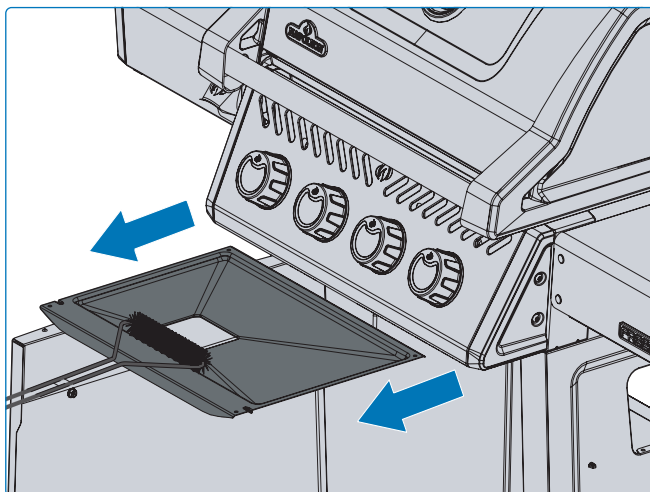


Fig. 23

¡ADVERTENCIA!

- Asegúrese de que todos los quemadores estén apagados y que la parrilla esté fría antes de limpiarla. No utilice limpiadores para hornos para limpiar ninguna parte de la parrilla.
- No limpiar rejillas ni piezas en horno autolimpiante. Limpiar en un área donde la solución no dañe terrazas, césped o patios.
- La salsa barbacoa y la sal pueden ser corrosivas y provocar un rápido deterioro de los componentes de la parrilla si no se limpian con regularidad.

Pasos de limpieza:

1. Deslice la bandeja de goteo hacia afuera para acceder a la bandeja de grasa desechable o para limpiarla.
2. Raspe la grasa con una espátula o un rascador.
3. Sustituya la bandeja de grasa desechable cada 2-4 semanas, dependiendo del uso (si procede).
4. Para obtener suministros, póngase en contacto con su distribuidor Napoleon.

Panel de control

Limpie solo con **agua tibia jabonosa y un paño suave**. Evite los paños abrasivos o los limpiadores agresivos, que pueden desgastar el texto impreso. **Pruebe primero en una pequeña zona oculta** para garantizar una limpieza segura.

- Las piezas de acero inoxidable se decoloran con el tiempo debido al calor, adquiriendo un tono dorado o marrón. Esto es normal y no afecta al rendimiento de la parrilla (**Fig. 24**).

Fundición de aluminio

Límpielas con agua tibia y jabón. Aunque el aluminio no se oxida, la exposición a altas temperaturas y a la intemperie puede provocar la oxidación de la superficie, que puede aparecer en forma de manchas blancas. Consulte **las “Instrucciones de mantenimiento”** para obtener consejos sobre cómo prevenir la oxidación.

Superficie exterior de la parrilla

- Utilice únicamente un limpiador no abrasivo. Los productos abrasivos o la lana de acero pueden rayar el acabado.
- Limpie siempre en la dirección del grano.
- Manipule con cuidado los componentes de esmalte porcelánico.
- El acabado esmaltado es similar al vidrio y puede astillarse si recibe un golpe.



¡PELIGRO!

- Evite el contacto con superficies calientes.
- No utilice limpiadores abrasivos ni lana de acero en piezas pintadas, de porcelana o de acero inoxidable. Estos materiales rayarán y dañarán el acabado.

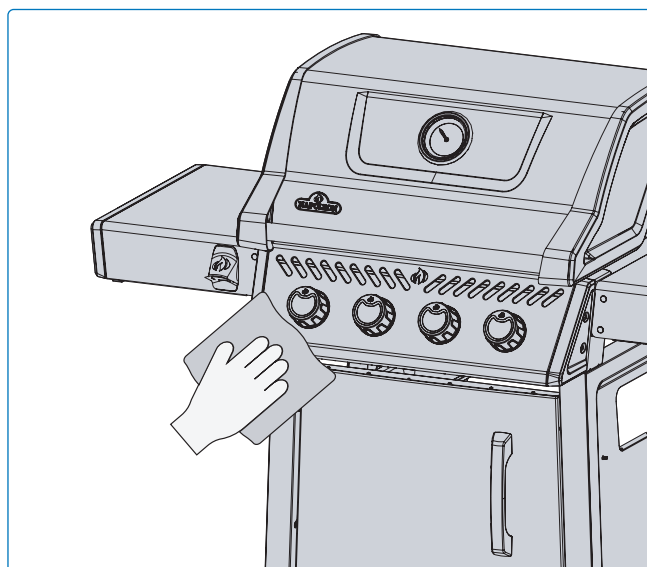


Fig. 24



¡LA SEGURIDAD ES LO PRIMERO!

Utilice siempre guantes protectores y gafas de seguridad cuando realice el mantenimiento de la parrilla.

Rejilla antiinsectos y orificios de los quemadores

Las arañas y los insectos se sienten atraídos por los espacios pequeños y cerrados. Aunque los quemadores Napoleon incluyen una rejilla contra insectos en la compuerta de aire para ayudar a evitar los nidos, esto no elimina el riesgo. Los nidos o las telarañas pueden hacer que la llama arda en color amarillo o naranja y pueden provocar un incendio o un retorno de llama cerca de la compuerta de aire situada debajo del panel de control. Siga estos pasos para limpiar y mantener el quemador:

1. Retire el quemador:

- Desatornille el quemador de la pared trasera de la parrilla. Deslice el quemador hacia atrás y hacia arriba para retirarlo.

2. Limpie el quemador:

- Limpie el interior del quemador con un cepillo flexible para tubos Venturi o, en las zonas delicadas, con un cepillo de cerdas suaves para eliminar con cuidado los residuos (**Fig. 25**).
- Sacuda los residuos sueltos a través de la entrada de gas.
- Inspeccione los puertos del quemador y los orificios de las válvulas en busca de obstrucciones. Los residuos y la corrosión pueden obstruirlos con el tiempo.

¡PELIGRO!

- Al volver a instalar el quemador después de limpiarlo, asegúrese de que la válvula o el orificio estén completamente insertados en el tubo del quemador. Si no lo hace, puede provocar un incendio o una explosión.

3. Limpie los puertos obstruidos

- Utilice un clip enderezado o la broca de mantenimiento de puertos suministrada para limpiar los puertos del quemador obstruidos.
- Si es necesario, taladre con cuidado los puertos bloqueados con la broca suministrada utilizando un pequeño taladro inalámbrico.



NOTA:

Esta broca es solo para orificios de quemadores. No la utilice en orificios de latón.

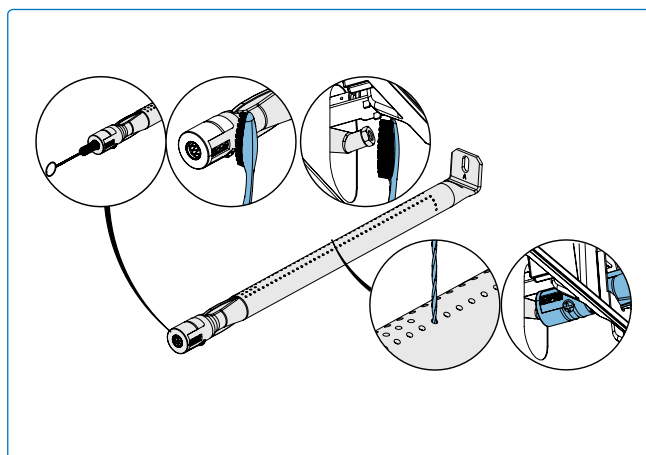


Fig. 25



¡IMPORTANTE!

- No doble la broca mientras taladra, ya que podría romperse. No amplíe los orificios de los puertos.

4. Inspeccione la rejilla contra insectos:

- Asegúrese de que la rejilla esté limpia, bien fijada y libre de pelusas o residuos.

5. Vuelva a instalar el quemador:

- Asegúrese de que la válvula entra en el quemador al instalarlo.
- Vuelva a colocar el soporte de la placa de sellado y apriete los tornillos para completar la reinstalación.

Instrucciones de mantenimiento

Recomendaciones

Esta parrilla debe ser inspeccionada y revisada anualmente por un técnico cualificado.

- No bloquee el flujo de aire para la ventilación o la combustión.
- Mantenga las aberturas de ventilación libres de residuos. Estos se encuentran en los laterales del carro o la carcasa, y en la parte delantera y trasera del estante inferior.

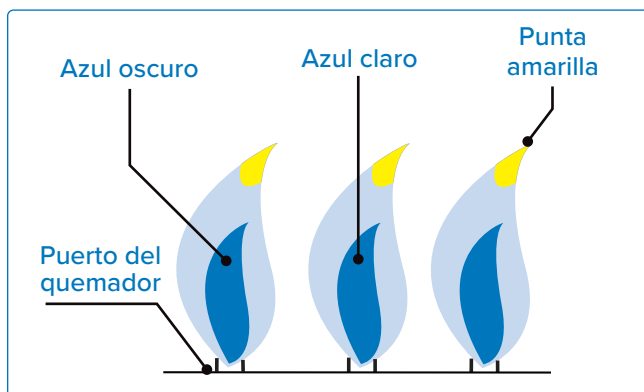


Fig. 26

Ajuste del aire de combustión



¡IMPORTANTE!

- Esto debe hacerlo un técnico cualificado.

- La compuerta de aire viene ajustada de fábrica y, por lo general, no requiere ajuste en condiciones normales. El ajuste solo puede ser necesario en condiciones extremas.
- Cuando está correctamente ajustada, la llama debe aparecer de color azul oscuro con puntas azul claro, y puede tener ocasionales destellos amarillos.
- Un suministro de aire insuficiente provocará llamas amarillas, con hollín y perezosas (**Ver figura 26**).
- Un exceso de aire puede hacer que la llama se eleve o se apague, lo que provocará problemas de encendido.



¡ADVERTENCIA!

- Mantenga la parrilla alejada de materiales combustibles y de todos los líquidos o vapores inflamables, incluida la gasolina.

Ajuste del obturador de aire

1. Retire las parrillas de cocción y las placas de sellado. Mantenga la tapa abierta para ventilar.
2. Abra la puerta del armario o retire el cajón superior (si lo hay) para acceder al tornillo de la compuerta de aire situado en la abertura del quemador. En el caso de los quemadores de tubo traseros, retire la cubierta trasera para acceder a la compuerta.
3. Retire la tapa trasera para ajustar el obturador de aire del quemador de tubo trasero.
4. Afloje el tornillo de bloqueo del obturador de aire. Abra o cierre la compuerta según sea necesario para lograr una **e de llama adecuada (Tabla 2)**.
5. Encienda los quemadores y ajústelos a la potencia máxima. Inspeccione la llama. Una llama adecuada debe ser mayoritariamente azul con una pequeña punta amarilla.
6. Apague los quemadores. Apriete el tornillo de bloqueo. Vuelva a instalar las piezas que haya retirado. Asegúrese de que las rejillas contra insectos estén correctamente instaladas.



NOTA:

Los quemadores infrarrojos no tienen ajuste de aire.

Ajustes del obturador de aire						
		Quemador principal			Quemador lateral de llama	Quemador lateral infrarrojo
		FL365	F365	F425		
Tamaño del orificio	Propano	1.10mm	#62	#64	# 65	# 63
	Gas natural	#52	#54	1.27mm	1.25mm	#55
Obturador de aire	Propano	Abierto	0.500"	0.500"	Abierto	-
	Gas natural	3/8" por lado	0.375"	0.500"	Abierto	-
Potencia calorífica (BTU/h)		15000	11000	9500	9000	10000

Tabla 2

Inoxidable en ambientes difíciles

El acero inoxidable se oxida o mancha en presencia de cloruros y sulfuros, especialmente en regiones costeras, zonas cálidas y muy húmedas, y alrededor de piscinas y jacuzzis. Estas manchas parecen óxido, pero pueden eliminarse o prevenirse fácilmente. Lavar las superficies inoxidables y cromadas cada 3-4 semanas. Limpiar con agua tibia y jabón.

Mantenimiento del quemador

El calor extremo y un entorno corrosivo pueden provocar la corrosión de la superficie aunque el quemador esté fabricado con acero inoxidable 304 de pared gruesa.

Mantenimiento y protección de los quemadores infrarrojos

Sus quemadores infrarrojos están diseñados para proporcionar una larga vida útil, pero debe tener cuidado para evitar que se agrieten sus superficies cerámicas. Las fracturas provocarán un mal funcionamiento de los quemadores.



¡IMPORTANTE!

- Los daños resultantes del incumplimiento de estas instrucciones **NO** están cubiertos por la garantía de la parrilla.

Ventilación del aire caliente

- El aire caliente debe poder salir de la parrilla para que los quemadores funcionen correctamente.
- Si no se permite que el aire caliente salga, los quemadores pueden quedarse sin oxígeno y provocar un retroceso de llama. Si esto ocurre repetidamente, la cerámica puede agrietarse.



¡PELIGRO!

- Apague el gas en la fuente y desconecte la unidad antes de repararla.
- El mantenimiento solo debe realizarse cuando la parrilla esté fría para evitar posibles quemaduras.
- Se debe realizar una prueba de fugas anualmente y cuando se sustituya cualquier componente del tren de gas, o cuando haya olor a gas.

Pasos para evitar dañar las superficies cerámicas

1. Nunca apague una llama ni controle las llamaradas con agua (**Fig. 27**)
2. No permita que el agua fría (lluvia, aspersores, mangueras, etc.) entre en contacto con los quemadores de cerámica calientes. Un cambio brusco de temperatura provocará el agrietamiento de las baldosas cerámicas.
3. Un quemador de cerámica que se moja antes de su uso generará vapor cuando se encienda y producirá una presión que agrietará la cerámica.
4. El empapamiento repetido de la cerámica puede hacer que se hinche y se expanda, produciendo una presión que hará que la cerámica se agriete y se desmorone.
5. Inspeccionar la cerámica si hay agua estancada en la parrilla. Si está mojada, retirar el quemador, voltear para escurrir y llevar al interior hasta secar completamente
6. No permita que objetos duros golpeen el quemador. Tenga cuidado al insertar o retirar las rejillas de cocción y al utilizar los accesorios.

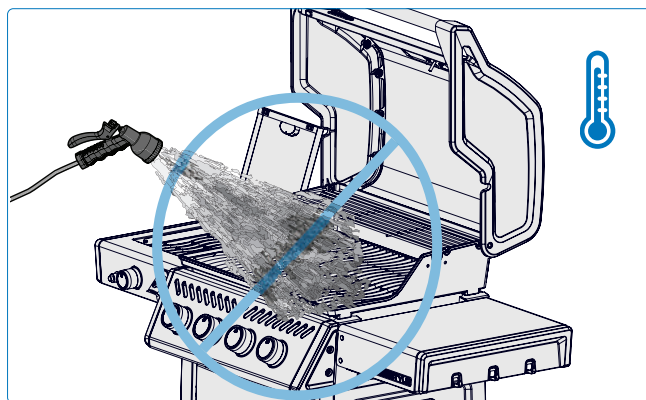


Fig. 27



¡LA SEGURIDAD ES LO PRIMERO!

No cubrir más del 75 % de la superficie de cocción de quemadores principales o laterales con metal sólido (p. ej., planchas o sartenes)

Solución de problemas

Problemas de encendido

- Los quemadores principal, trasero o lateral no se encenderán con el encendedor, pero sí con una cerilla.
- Los quemadores no se encienden entre sí.

	Posibles causas	Solución
Quemador principal	La salida ^{JETFIRE™} está sucia u obstruida.	Limpie la salida ^{JETFIRE™} con un cepillo de dientes de cerdas suaves.
	Los soportes de las luces cruzadas están sucios o corroídos.	Limpiar o sustituir según sea necesario.
Quemadores traseros y laterales	Llamas levantadas en el quemador.	Cierre la compuerta de aire según la sección «Instrucciones de mantenimiento» Ajuste del aire de combustión de este manual del propietario. IMPORTANTE Esto debe ser realizado por un instalador de gas cualificado.
	El cable del electrodo o los cables de los terminales del interruptor están sueltos.	Compruebe que el cable del electrodo está firmemente insertado en el terminal de la parte posterior del encendedor. Compruebe que los cables que van del módulo al interruptor de encendido (si lo hay) están bien apretados en sus respectivos terminales.
	Batería agotada o mal instalada.	Sustituya la batería por otra de alta calidad.

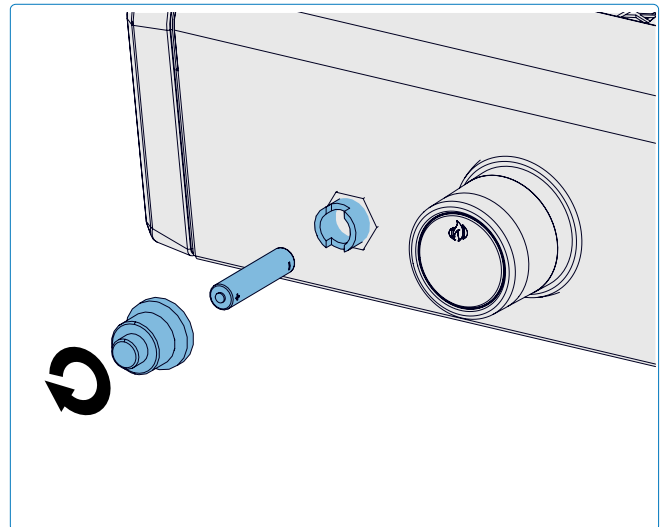


Fig. 28



¡REGISTRE SU PARRILLA!

Visite napoleon.com o a su Guía de montaje para obtener instrucciones sobre las piezas de repuesto.



¡QUEREMOS AYUDAR!

Napoleon está aquí para garantizar que su experiencia con la parrilla sea memorable. Póngase en contacto con nosotros si necesita ayuda adicional.

Ruidos y llamaradas

- Zumbido del regulador.
- Llamas excesivas y calor desigual.

Posibles causas	Solución
Zumbido normal en días calurosos.	Esto no es un defecto. Esto se debe a vibraciones internas en el regulador y no afecta al rendimiento ni a la seguridad de la parrilla. Los reguladores con zumbidos NO serán reemplazados.
La válvula de la bombona se abrió muy rápido.	Abrir lentamente la válvula de la bombona.
Las placas de sellado están instaladas incorrectamente.	Asegúrese de que las placas de sellado estén instaladas con los orificios hacia la parte delantera y las ranuras en la parte inferior. Consulte la guía de instrucciones de montaje.
Calentamiento inadecuado.	Precaliente la parrilla con todos los quemadores principales a temperatura alta durante 10 a 15 min.
Acumulación excesiva de grasa y cenizas en las placas de sellado y en la bandeja de goteo.	Limpie las placas de sellado y la bandeja de goteo con regularidad. No cubra la bandeja con papel de aluminio. Consulte las “Instrucciones de limpieza” para obtener más detalles.

Flujo de gas

- Calor bajo o llama baja cuando la válvula está girada a **ALTO**.
- Los quemadores arden con llama amarilla, acompañada de olor a gas.
- Las llamas se alejan del quemador, acompañadas de olor a gas y posibles dificultades de encendido.
- La potencia del quemador está en **ALTA**, pero el ajuste es **BAJO**. Ruido sordo y llama azul parpadeante en la superficie del quemador.

Posibles causas	Solución
Propano: procedimiento de encendido incorrecto	Asegúrese de seguir cuidadosamente el procedimiento de encendido. Todas las válvulas de gas deben estar en la posición OFF cuando se abra la válvula del depósito. Abra el tanque lentamente para permitir que la presión se equilibre. Consulte el apartado “Instrucciones de encendido” para obtener más detalles.
Gas natural - tubería de suministro subdimensionada.	La tubería debe estar dimensionada de acuerdo con el código de instalación.
Fuga en la junta que rodea la baldosa cerámica o fallo en la soldadura de la carcasa del quemador.	Deje que el quemador se enfríe e inspeccione muy de cerca en busca de grietas. Póngase en contacto con su distribuidor autorizado Napoleon para pedir un conjunto de quemador de repuesto si se encuentra alguna grieta.
Tanto en el gas propano como en el gas natural.	Precaliente la parrilla con ambos quemadores principales a temperatura ALTA durante 10 a 15 min.

Posibles causas	Solución
Posible telaraña u otros residuos.	Limpie a fondo el nido o las telarañas del orificio del quemador retirándolo y siguiendo las instrucciones de este manual. Consulte “Pantalla contra insectos y puertos del quemador” para obtener más detalles.
Ajuste incorrecto del obturador de aire.	Abra o cierre ligeramente el obturador de aire de acuerdo con este manual. Ver “Instrucciones de mantenimiento” . IMPORTANTE ! Esto debe ser realizado por un instalador de gas cualificado.
Falta de gas.	Compruebe el nivel de gas en la botella.
La manguera de suministro está pinzada.	Cambie la posición de la manguera de suministro según sea necesario.
El regulador de presión de gas está en estado de flujo bajo.	Apague los quemadores y cierre la válvula del tanque, espere 5 minutos antes de volver a abrir completamente la válvula, deje que la presión se iguale durante unos segundos antes de seguir las instrucciones de encendido para poner en marcha la parrilla. Asegúrese de seguir cuidadosamente el procedimiento de encendido cada vez que cocine. Todas las válvulas de gas deben estar cerradas cuando se abre la válvula del tanque. Abra siempre la válvula de la bombona lentamente.

Pintura descascarillada

- La pintura parece estar descascarillada en el interior de la tapa o la campana.

Posibles causas	Solución
Acumulación de grasa en las superficies interiores.	Esto no es un defecto. La tapa y la campana tienen un acabado de porcelana o acero inoxidable, que no se descascarilla. Lo que parece estar pelándose es en realidad grasa endurecida que se seca y forma escamas similares a la pintura. Una limpieza regular evitará esta acumulación. Consulte las “Instrucciones de limpieza” para obtener más detalles.

El quemador infrarrojo retrocede

- Durante el funcionamiento, el quemador emite repentinamente un fuerte silbido, seguido de un sonido continuo similar al de un soplete, y se atenúa o produce una llama grande al encenderse.

Posibles causas	Solución
Las baldosas de cerámica están sobrecargadas con gotas de grasa y acumulación. Los orificios están obstruidos.	Apague el quemador y deje que se enfríe durante al menos 2 minutos. Vuelva a encender el quemador y déjelo a máxima potencia durante al menos 5 minutos, o hasta que las baldosas cerámicas estén uniformemente al rojo vivo.
El quemador se ha sobrecalentado debido a la ventilación. Demasiada superficie de la parrilla cubierta por la plancha o la sartén.	Asegúrese de que no más del 75 % de la superficie de la parrilla esté cubierta por objetos o accesorios. Apague el quemador y deje que se enfríe durante al menos 2 minutos. Vuelva a encender.
Fuga en la junta que rodea la baldosa cerámica o fallo en la soldadura de la carcasa del quemador.	Deje que el quemador se enfríe e inspeccione muy de cerca si hay grietas. Póngase en contacto con su distribuidor autorizado Napoleon para solicitar un conjunto de quemador de repuesto si encuentra alguna grieta.
Calentamiento inadecuado.	Precalente la parrilla con ambos quemadores principales a temperatura alta durante 10 a 15 min.
Acumulación excesiva de grasa y cenizas en las placas de sellado y en la bandeja de goteo.	Limpie las placas de sellado y la bandeja de goteo con regularidad. No cubra la bandeja con papel de aluminio. Consulte “Instrucciones de limpieza” .

GARANTÍA DE 10 AÑOS DE NAPOLEON®

Para modelos REBEL®

Los productos Napoleon® están diseñados con componentes y materiales superiores y son ensamblados por artesanos capacitados que se enorgullecen de su trabajo. El conjunto de quemador y válvula se prueba para detectar fugas y se prueba en una estación de control de calidad. Esta parrilla ha sido minuciosamente inspeccionada por un técnico calificado antes del embalaje y envío para asegurar que usted, el cliente, reciba el producto de calidad que espera de Napoleon®.



Gracias por comprar un producto Napoleon®. Napoleon® (Wolf Steel Ltd,® Barrie, ON, Canadá) garantiza que los componentes de su nuevo producto Napoleon® estarán libres de defectos de material y mano de obra desde la fecha de compra, por un período de 10 años.

Campana	10 años
Tapa de esmalte porcelanizado	10 años
Fundiciones de aluminio	10 años
Quemadores tubulares de acero inoxidable	10 años
Placas de sellado de esmalte porcelanizado	10 años
Rejillas de hierro fundido con esmalte porcelanizado	10 años
Quemador lateral infrarrojo	10 años
Todos los demás componentes	10 años

CONDICIONES Y LIMITACIONES DE LA GARANTÍA

Esta garantía voluntaria crea un período de garantía de 10 años para productos adquiridos a través de un distribuidor autorizado de Napoleon®, y otorga al comprador original (o al destinatario en caso de que el producto sea un regalo) la cobertura especificada respecto a cualquier componente reemplazado dentro del período de garantía, ya sea por Napoleon® o por un distribuidor autorizado de Napoleon®, para reemplazar un componente de dicho producto que haya fallado en uso privado normal como resultado de un defecto de fabricación. Esta garantía no cubre accesorios ni artículos de bonificación.

Para mayor claridad, el "uso privado normal" de un producto significa que el producto: ha sido instalado (cuando corresponda) por un técnico o contratista autorizado y con licencia, de acuerdo con las instrucciones de instalación incluidas con el producto y todos los códigos locales y nacionales de construcción y contra incendios; ha sido limpiado y mantenido adecuadamente según las instrucciones; y no ha sido utilizado como una amenidad comunal ni en una aplicación comercial. En caso de uso en aplicaciones comunales o comerciales (donde esté aprobado), la garantía se reduce a un período de dos (2) años.

De manera similar, "falla" no incluye: daños causados por sobrecalentamiento, explosiones causadas por condiciones ambientales como vientos fuertes o ventilación inadecuada, rayones, abolladuras, corrosión, deterioro de acabados pintados o cromados, decoloración causada por calor, limpiadores abrasivos o químicos o exposición a rayos UV, desconchamiento de partes esmaltadas en porcelana, o

daños causados por mal uso, accidente, granizo, incendios de grasa, falta de limpieza y mantenimiento, ambientes hostiles como sal o cloro, alteraciones, abuso, negligencia o piezas instaladas de otros fabricantes. Si vive en una zona costera, o tiene su producto ubicado cerca de una piscina o jacuzzi, el mantenimiento incluye el lavado y enjuague regular de las superficies exteriores según lo indicado en el manual del propietario adjunto, para prevenir la corrosión superficial. Si se produce un deterioro de las piezas hasta el punto de no funcionamiento (oxidación o quemadura completa) dentro de la duración de la cobertura de la garantía, se proporcionará una pieza de repuesto. Las piezas reemplazadas bajo esta garantía están garantizadas solo por el resto del período original de garantía de diez (10) años mencionado anteriormente.

El componente de reemplazo es la única responsabilidad de Napoleon® definida por esta garantía; en ningún caso Napoleon® será responsable de la instalación, mano de obra u otros costos o gastos relacionados con la reinstalación de una pieza garantizada, por daños incidentales, consecuentes o indirectos, ni por cargos de manipulación y transporte o aranceles de exportación.

El uso y/o la instalación de piezas en su producto Napoleon® que no sean piezas originales de Napoleon® anulará esta garantía, y cualquier daño resultante no estará cubierto por esta garantía. Cualquier conversión de una parrilla de gas no autorizada por Napoleon® y realizada por un técnico de servicio autorizado por Napoleon® anulará esta garantía.

NAPOLEON®

CELEBRANDO MÁS DE 40 AÑOS DE PRODUCTOS
DE CONFORT PARA EL HOGAR



NAPOLEON® products are protected by one or more U.S. and Canadian and/or foreign patents or patents pending.

Les produits de NAPOLEON® sont protégés par un ou plusieurs brevets américains, canadiens et/ou étrangers au par des brevets en instance.

Los productos NAPOLEON® están protegidos por una o más patentes o patentes pendientes en E.U., Canadá y/u otros países.



Dirección

Wolf Steel Ltd.

24 Napoleon Road, Barrie,
Ontario, L4M 0G8 Canada

103 Miller Drive, Crittenden,
Kentucky, 41030, USA

7200 Trans Canada Highway,
Montreal, Quebec H4T 1A3,
Canada



Teléfono

Canadá

1-866-820-8686

En línea

✉ grills@napoleon.com

🌐 www.napoleon.com