

## Greenwich™ | K-2031-L

20-3/4" x 18-1/4" wall-mount/concealed arm carrier bathroom sink with single faucet hole and left-hand soap dispenser hole

### Features

- Made from premium materials that withstand high-volume usage
- 20-3/4"L x 18-1/4"W
- Faucet sold separately
- Includes wall hanger



### Available Colors/Finishes

*Color tiles intended for reference only.*

- 0 White



## Codes/Standards

*ADA compliant when installed to the specific requirements of these regulations.*

ADA

ASME A112.19.2/CSA B45.1

ADA

ICC/ANSI A117.1

## Technical Information

Number of Deck Holes:	2
Faucet Hole(s) Size:	1-3/8" (35 mm)
With Overflow:	Yes
Soap/Lotion Hole Size:	1-1/4" (32 mm)
Drain Hole Diameter:	1-3/4" (44 mm)
Basin Configuration:	Single Bowl
Basin Length:	10" (254 mm)
Basin Width:	15" (381 mm)
Basin Depth:	11-1/8" (283 mm)

## Material

- Vitreous china

## Recommended Products/Accessories

K-1998 Shroud

K-23726 Drain treatment

K-8998 Adjustable P-trap with tubing outlet, 1-1/4" x 1-1/4"

K-23725 Cast iron cleaner

## Warranty

*See website for detailed warranty information.*

KOHLER® Vitreous China Bathroom Sink Lifetime Limited Warranty

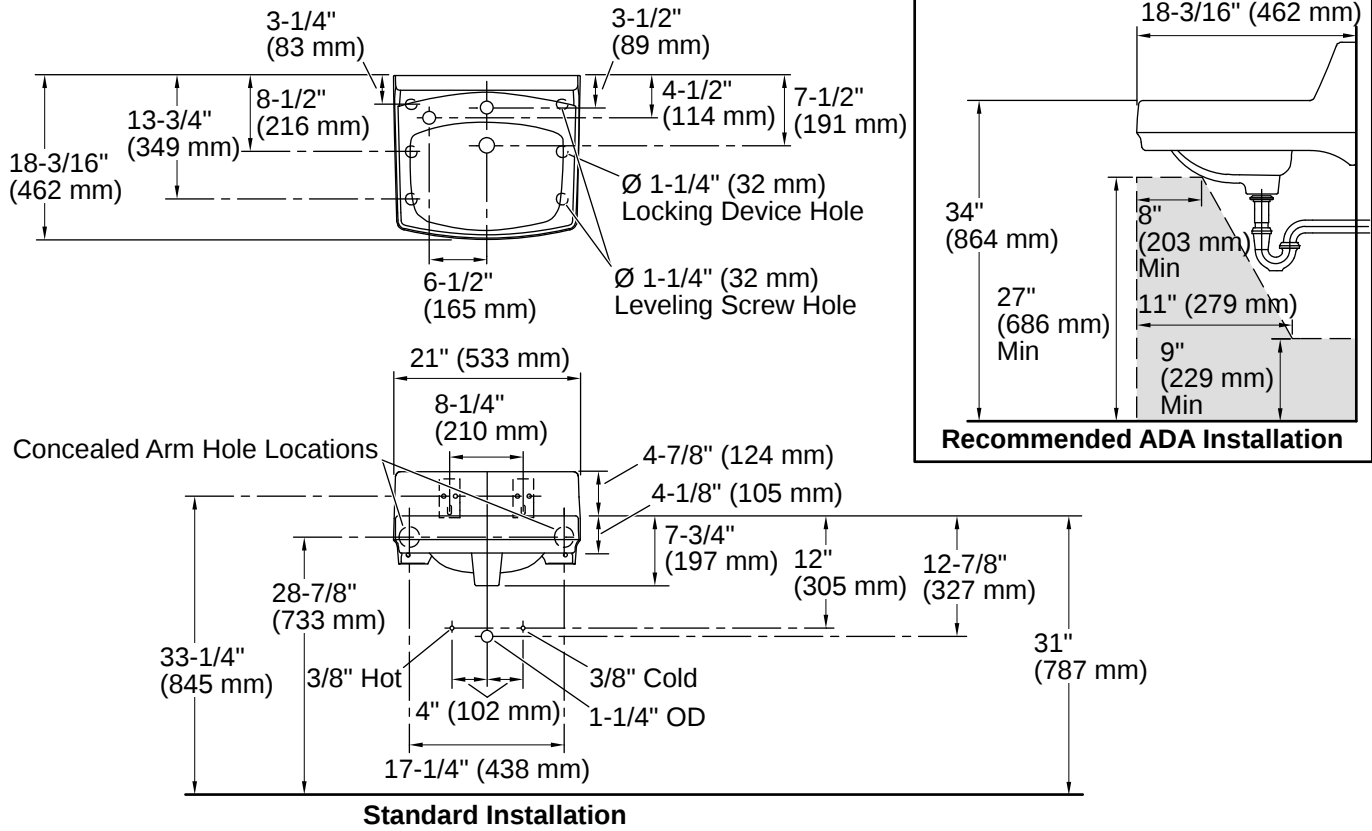


1-800-4KOHLER (1-800-456-4537)

Kohler Co. reserves the right to make revisions without notice to product specifications.

For the most current specification sheet, go to [www.kohler.com](http://www.kohler.com) USA or [www.kohler.ca](http://www.kohler.ca) Canada.

4-13-2026 12:51 - US-CA



## Installation

- Wall-mount
- Drilled for concealed arm carrier installation

## Installation Notes

Install this product according to the installation instructions.

Product dimensions are nominal and may vary per ASME A112.19.2 tolerances.

ADA compliant when installed to the specific requirements of these regulations.

