

128-Channel Network

NVR128.3



Features

- Supports Ultra 265/H.265/H.264 video formats
- 32/64/128-channel input
- Supports mainstream cameras of ONVIF conformance(Profile S, Profile G, Profile T) and RTSP protocols
- Supports 2 HDMI and 2 VGA. VGA1 and HDMI1 simultaneous output, VGA2 and HDMI2 simultaneous output. VGA1/HDMI1 and VGA2/HDMI2 independent output
- Up to 32 Megapixels resolution recording
- Supports N+1 Hot spare
- Supports HDD hot swap with RAID 0, 1, 5, 6, 10 storage scheme configurable
- Redundant power supply optional
- ANR technology to enhance the storage reliability when the network is disconnected
- Supports cloud upgrade

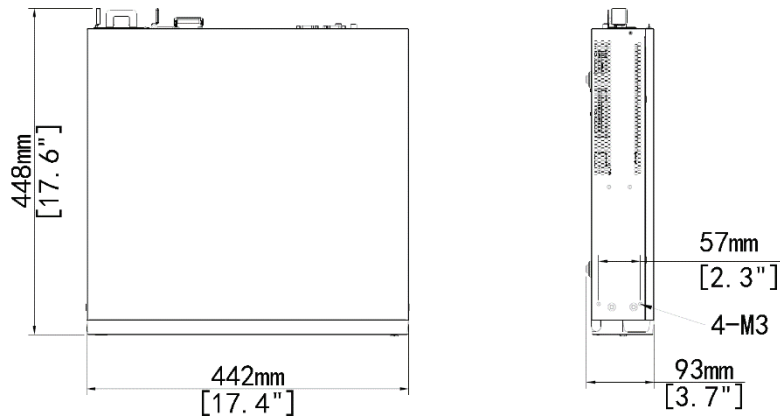
Specifications

Decoding	Description
Decoding Format	Ultra 265, H.265, H.264
Decoding Capability	2 x 32MP@30, 4 x 16MP@30, 5 x 12MP@30, 8 x 4K@30, 10 x 6MP@30, 12 x 5MP@30, 16 x 4MP@30, 20 x 3MP@30, 32 x 1080P@30, 54 x 960P@25, 72 x 720P@30, 128 x D1

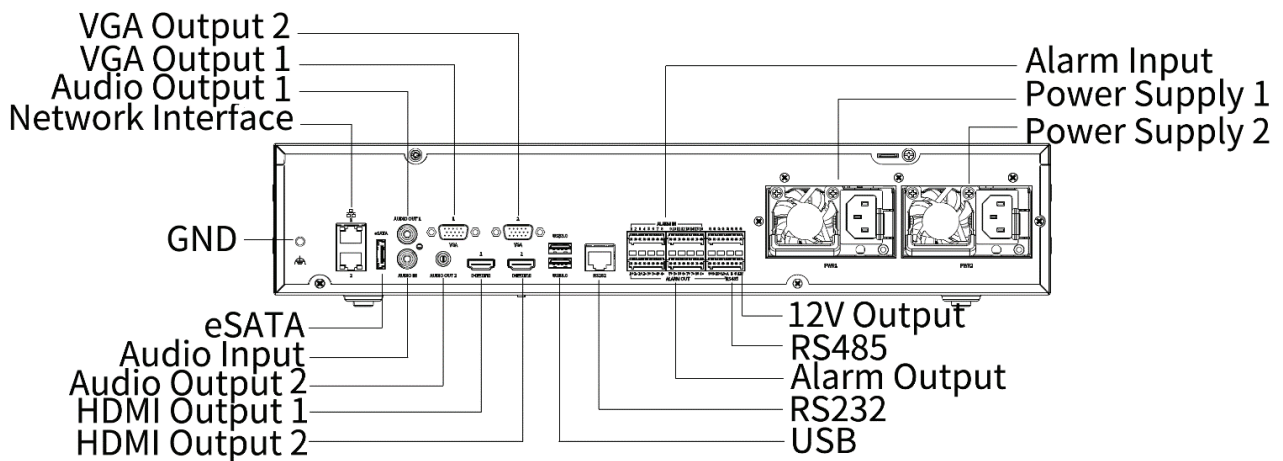
Audio Compression	G.711A, G.711U
Network	Description
Incoming Bandwidth	384Mbps
Outgoing Bandwidth	384Mbps
Remote Users	128
Protocols	TCP/IP;P2P;UPnP;NTP;DHCP;PPPoE;HTTP;HTTPS;DNS;DDNS;SNMP;SMTP;NFS;RTSP;802.1x;IPV6
Browser(Plugin)	Windows:IE(IE10/11), Firefox (version 52.0 and above), Chrome(version 45 and above), Edge(version 79 and above)
Video/Audio Input	Description
RCA Audio Input	1-ch
Video/Audio Output	Description
HDMI Output	HDMI1, HDMI2:4K(3840x2160)/60Hz,4K(3840x2160)/30Hz, 1920x1080/60Hz, 1920x1080/50Hz, 1600x1200/60Hz, 1280x1024/60Hz, 1280x720/60Hz,1024x768/60Hz
VGA Output	VGA1, VGA2:1920x1080/60Hz, 1920x1080/50Hz, 1600x1200/60Hz, 1280x1024/60Hz, 1280x720/60Hz, 1024x768/60Hz
RCA AudioOutput	2-ch
Liveview Display	HDMI1/VGA1:1/4/6/8/9/16/25/36/64 HDMI2/VGA2:1/4/6/8/9/16/25/36
Corridor Mode Screen	3/4/5/7/9/10/12/16/32
Two-way Audio	Description
Two-way Audio	1-ch, RCA(Using the audio input and output)
Snapshot	Description
FTP/Schedule/Event Snapshot	16-ch snapshot, up to 1080P resolution
Recording	Description
Recording Resolution	32MP/16MP/12MP/8MP/6MP/5MP/4MP/3MP/1080P/960P/720P/D1/2CIF/CIF
Synchronous Playback in Local	16-ch
Smart	Description
VCA Detection by IPC	Face Detection;Vehicle Detection;SIP(Intrusion Detection, Cross Line Detection, EnterArea, Leave Area);Ultra Motion Detection(UMD);Temperature Detection(Fire Detection,Smoking Detection, Temperature Measurement, Smoke and Fire Detection); People Counting(People Flow Counting, Crowd Density Monitoring);Video Metadata; Traffic Monitoring
VCA Search	Motor Vehicle Search; Non-Motor Vehicle Search; Human Body Search; General Search; People Counting Report; Heat Map
Smart by IPC	All channels (up to 16 images/s in total)Face Detection, Vehicle Detection, TemperatureDetection, SIP, UMD, Video Metadata, Traffic Monitoring

Vehicle Picture Library	Up to 5 vehicle picture libraries, with up to 25,000 vehicle pictures in total
Alarm	Description
General Alarm	Defocus Detection;Scene Change Detection;Object Left Behind;Object Removed;Auto Tracking;Motion Detection;Tampering;Human Body Detection;Video Loss;Alarm Input;Audio Detection
Alert Alarm	IP Conflict;Network Disconnected;Disk Offline;Disk Abnormal;Illegal Access;Hard Disk Space Low;Hard Disk Full;Recording/Snapshot Abnormal
GUI Language	Description
GUI Language	38 languages: Simplified Chinese, Traditional Chinese, English, Vietnamese, Thai, Turkish, Spanish (Latin America), Portuguese (Brazil), Spanish, Portuguese, French, German, Italian, Dutch, Polish, Czech, Hungarian, Slovak, Russian, Hebrew, Arabic, Ukrainian, Estonian, Bulgarian, Greek, Romanian, Danish, Swedish, Norwegian, Finnish, Croatian, Slovenia, Serbia, Korean, Japanese, Latvian, Lithuanian, Persian
Hard Disk	Description
SATA	8 SATA Interfaces
Capacity	Up to 24TB for each HDD(The maximum HDD capacity varies with environment temperature)
Disk Group	Support
Disk Array Type	RAID 0, 1, 5, 6, 10
Hot Swap	Support
External Interface	Description
Network Interface	2 RJ45 10M/100M/1000M self-adaptive Ethernet Interface
USB	Front panel: 2 x USB2.0;Rear panel: 2 x USB3.0
RS485	1
RS232	1
Alarm In	16-ch
Alarm Out	10-ch
eSATA	1
Power Output	12V
Power Supply	AC 100 ~ 240 V
Working Environment	Description
Working Temperature	-10 ° C ~ 55 ° C (14 ° F ~ 131 ° F)
Working Humidity	≤ 90% RH (non-condensing)
Power Consumption (without HD D)	≤ 50W
Dimensions	Description
Weight (without HDD)	≤ 6Kg (13.23lb)
Dimensions	442mm × 448mm × 93mm (17.4" × 17.6" × 3.7")
Certification	Description
Certification	CE, FCC, UL, RoHS, WEEE
CE	EN 55032, EN 61000-3-3, EN IEC 61000-3-2, EN 55035
FCC	Part15 Subpart B

Dimensions



Rear Panel



Warranty

All Illumivue products come with a 3-year limited liability warranty. This warranty includes parts and labor repairs on all components found to be defective in material or workmanship under normal conditions of use. This warranty shall not apply to products which have been abused, modified, or disassembled. Warranty items only by authorized resellers. Warranty not eligible for products purchased through non-authorized online sellers.