

Assembly Instructions

ITEM NO. D4124-11
CHESTNUT RIDGE 47" ROUND TABLE
(1 PC/CTN)

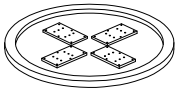
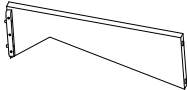
Thank you for purchasing this quality product. Be sure to check all packing materials carefully for small parts, which may have come loose inside the carton during shipment. Identify and count all items and compare with the PARTS LIST and/or HARDWARE LIST shown below.







Please read the instructions thoroughly before assembly.

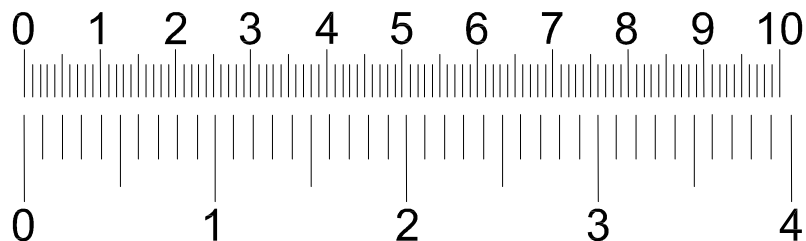
1. We recommend that you assemble this product with the assistance of another person; this will make the assembly easier, and will help eliminate damage to the product or injury to persons during assembly.
2. Please do not tighten screws or bolts until the assembly is completed.
3. To level the chairs or table, before tightening all the screws, the chairs or table must be placed on a flat surface and then tighten the screws.
4. Please put all parts on a non-abrasive floor before assembly and follow the assembly steps to assemble your newly purchased product correctly and efficiently.

PARTS LIST

NO.	COMPONENT	SKETCH	QTY
A	TABLE TOP		1PC
B	LEG		4PCS

HARDWARE LIST

NO.	COMPONENT	SKETCH	QTY
1	FLAT WASHER 5/16 DIA.		16 PCS
2	SPRING WASHER 5/16 DIA.		16 PCS
3	BOLT 5/16 x 1 1/2		16 PCS
4	ALLEN KEY 5/32"		1 PC



Assembly Instructions

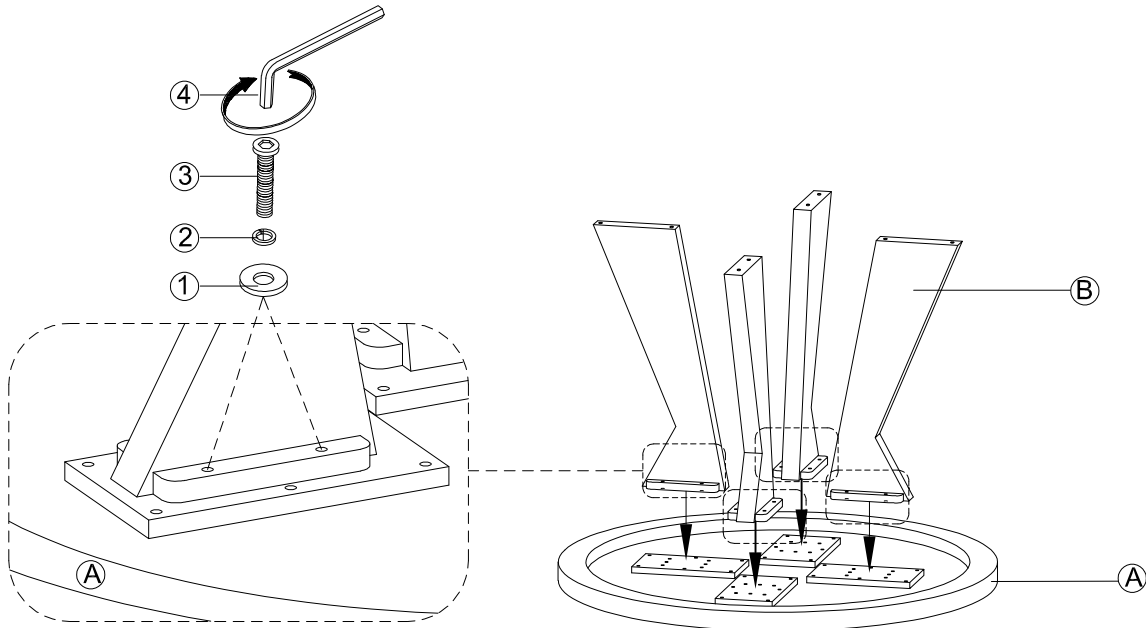
ITEM NO. D4124-11

CHESTNUT RIDGE 47" ROUND TABLE
(1 PC/CTN)

STEP 1

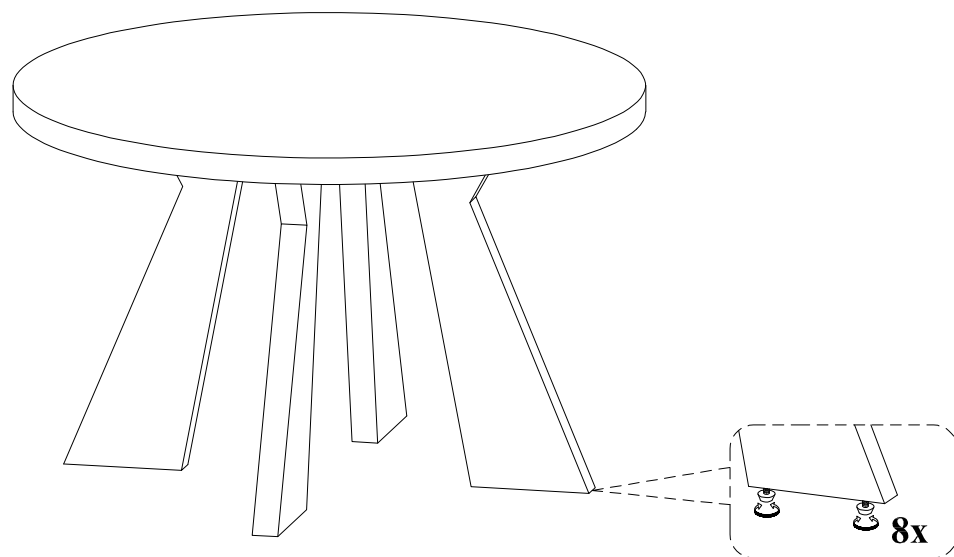
Place the table top (A) upside down on a flat and clean surface.

Assemble the legs (B) to the table top (A) by using Allen Key (4) with hardware 1, 2, and 3.



STEP 2

To level the table, stand the table upright on a flat surface and adjust by twisting the levelers on each leg (B).



Fully Assembled Table

MADE IN VIETNAM

PAGE: 2 OF 2