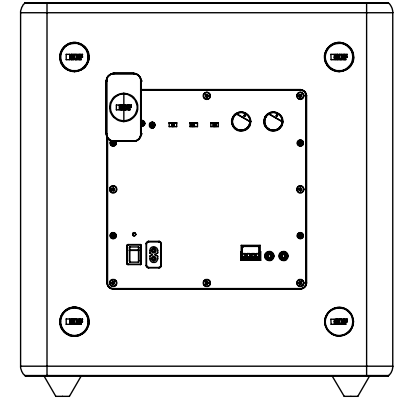
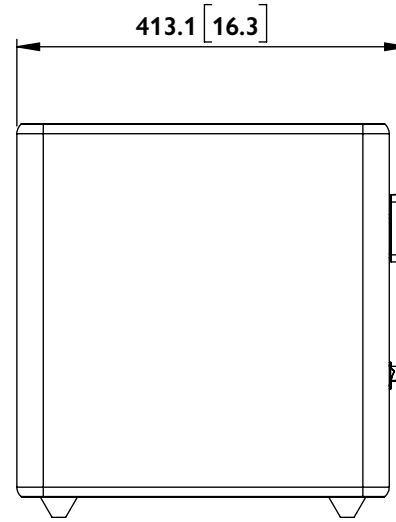
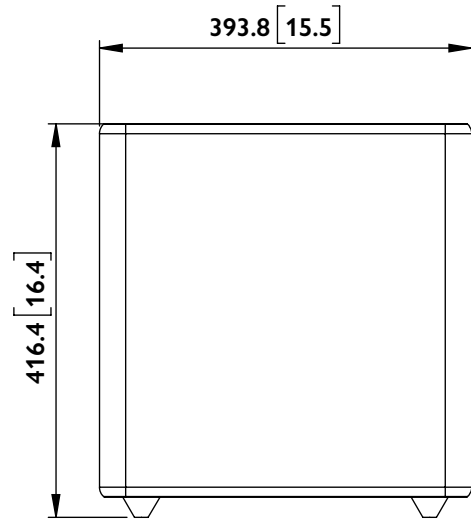
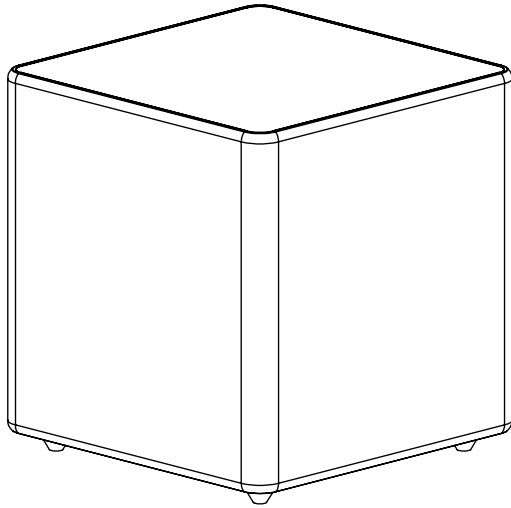




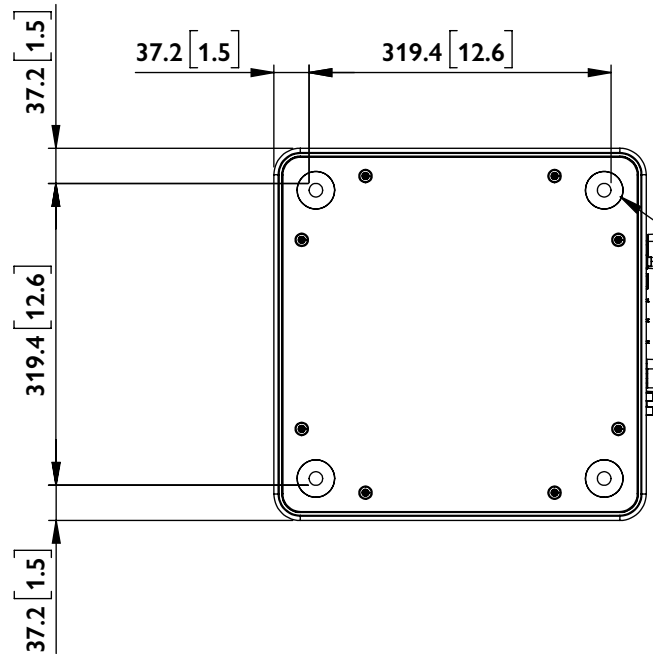
FRONT

SIDE

BACK



BOTTOM



Feet thread size:
M6 x pitch 1.0

Kube 12 MIE + KW1

UNIT: MM [INCH]