

HEKMAN®

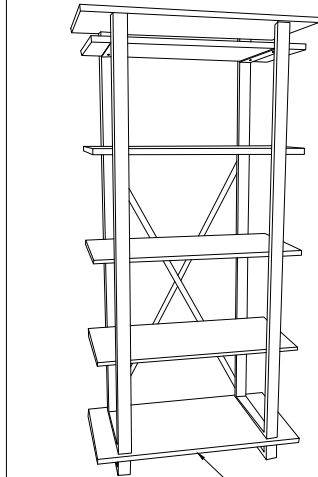
X A HOWARD MILLER COMPANY
Grand Rapids, Michigan

ASSEMBLY INSTRUCTION

#27855 ETAGERE BOOKCASE

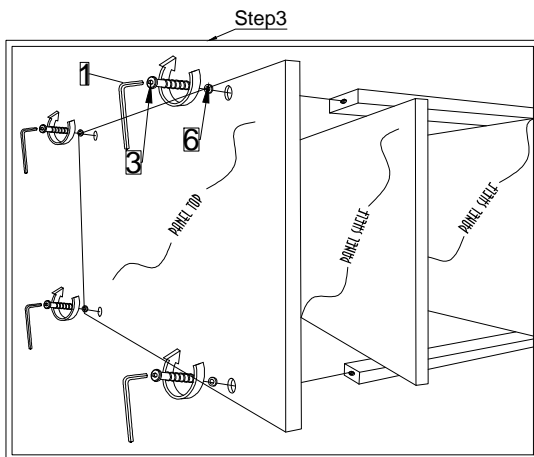
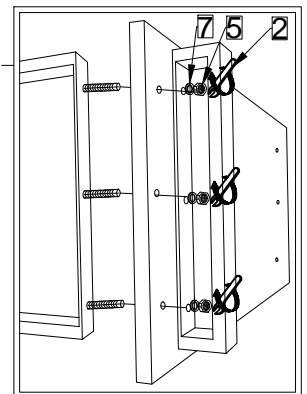
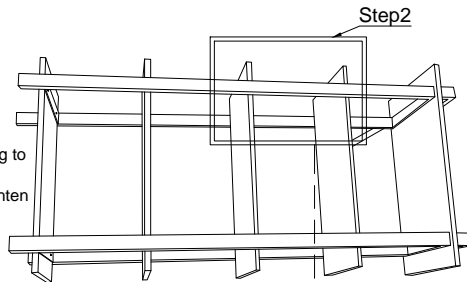
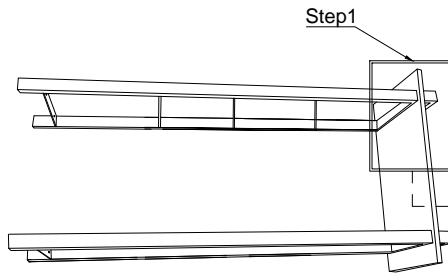
- *Step #1**
1. Lay end assemblies face down on a soft clean surface.
 2. Attach The bottom shelf panels to the end assemblies using Hexagonal Nuts(#5) Flat Washer(#7) and Wrench(#2) tighten bolts completely.

No.	PARTS	DESCRIPTION	QTY
1		ALLEN KEY L4	1 Pcs
2		WRENCH	1 Pcs
3		JCBC BOLT M6x40	4 Pcs
4		JCBC BOLT M6x20	20 Pcs
5		M NUT Ø8	6 Pcs
6		FLAT WASHER Ø6	26 Pcs
7		FLAT WASHER Ø8	6 Pcs

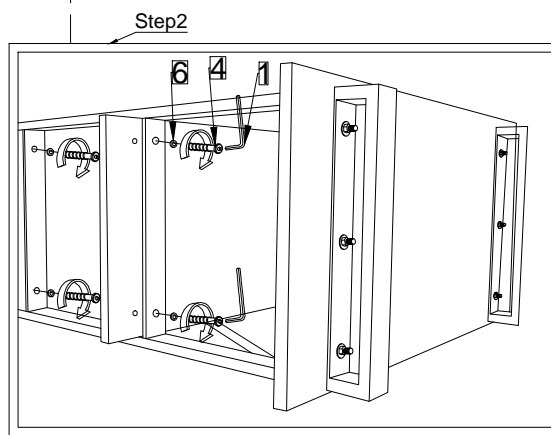


Logo Plate & Barcode:
Bottom Shelf Panel-Back Side
Bottom Middle

- *Step #2**
1. Attach shelves starting at the top working to the Bottom shelf using Bolts(#4) Flat Washer(#6) and Allen Key(#1). Do not tighten Bolts completely.



- *Step #3**
1. Attach the top panel to end assemblies using Bolts(#3) Flat Washer(#6) and Allen Key(#1) do not tighten Bolts completely.



- *Step #4**
1. Attach X-Iron Bar using Bolts(#4) Washer(#6) Allen key(#1) tighten bolts completely.
 2. Tighten The Bolts On the Shelf Panels (step#2) & tighten the bolts on the Top (step#3).
 3. Turn EtagerE Upright.

