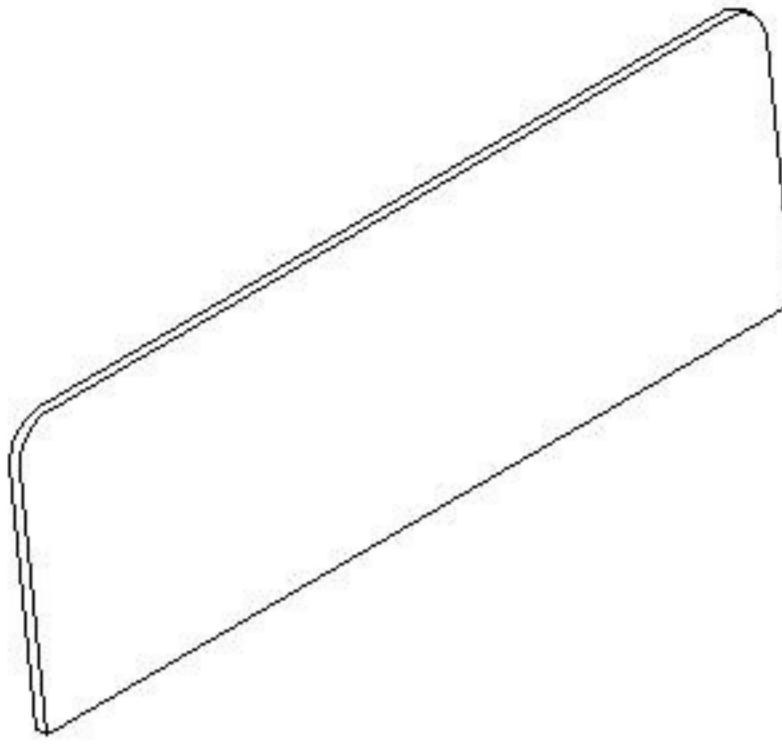
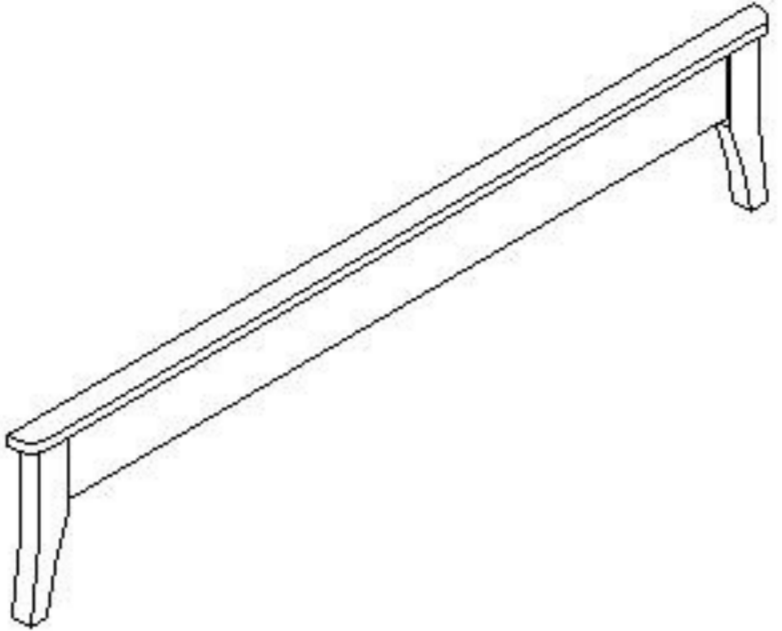
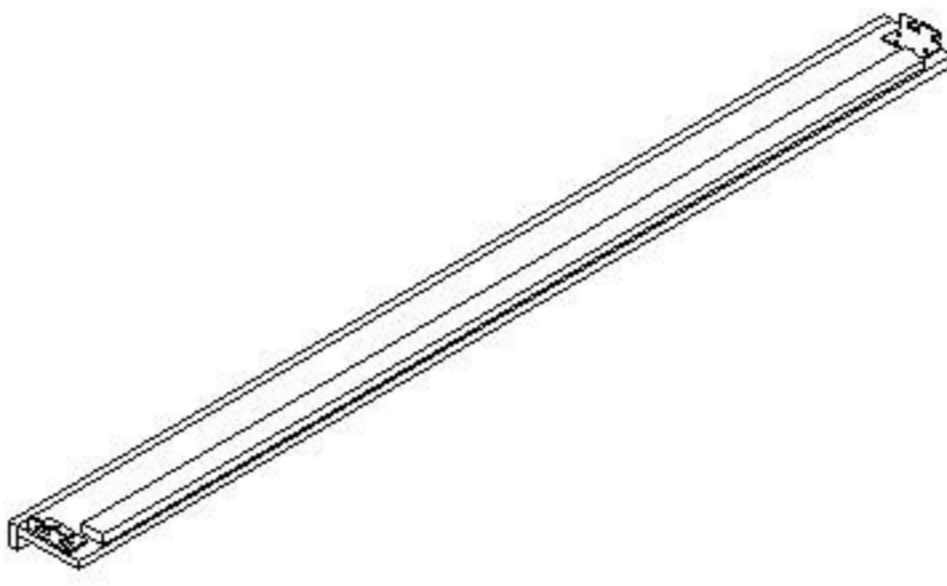
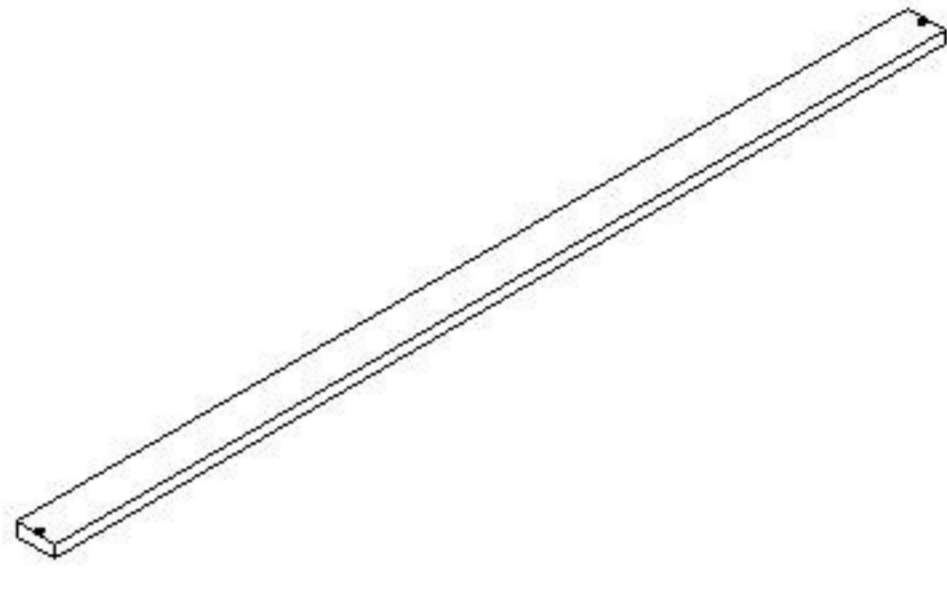
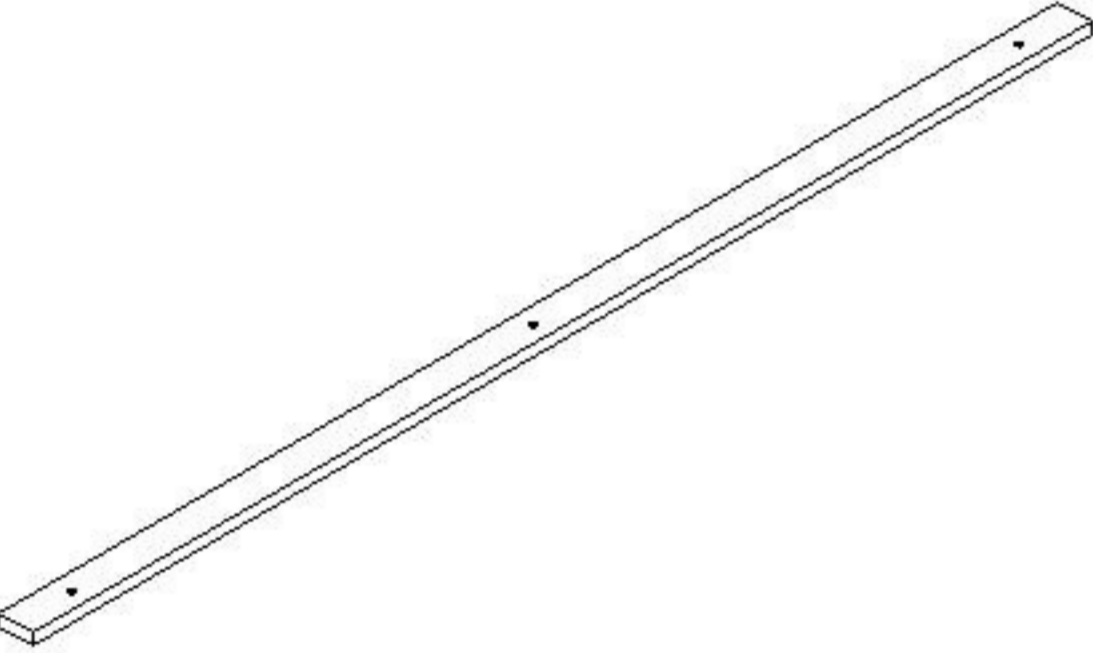
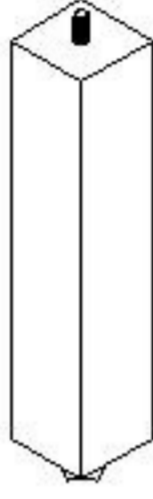
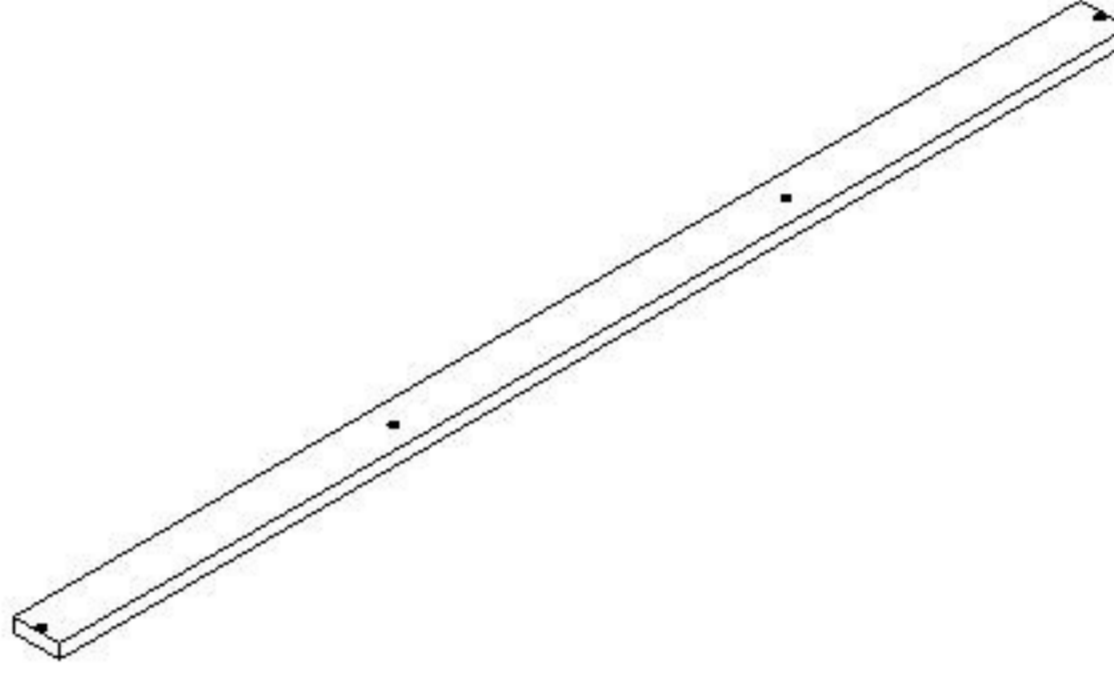
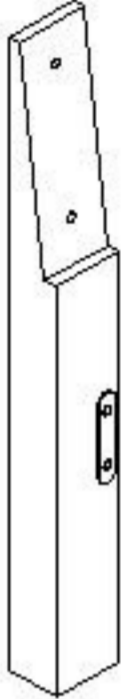
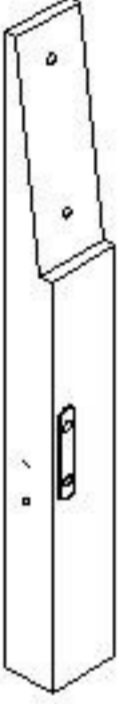
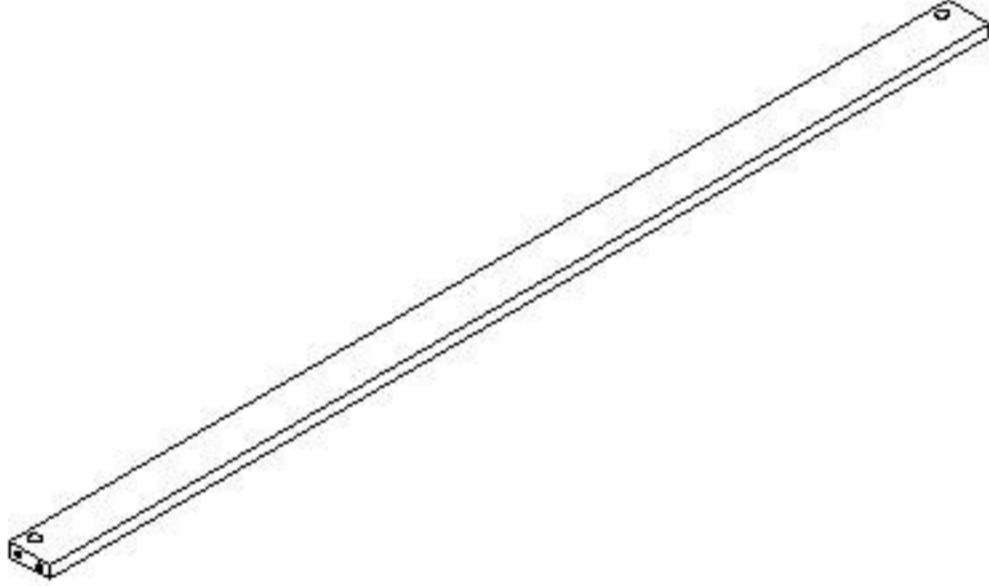
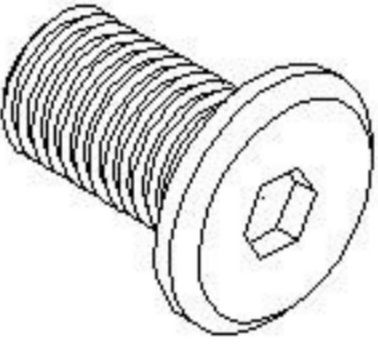
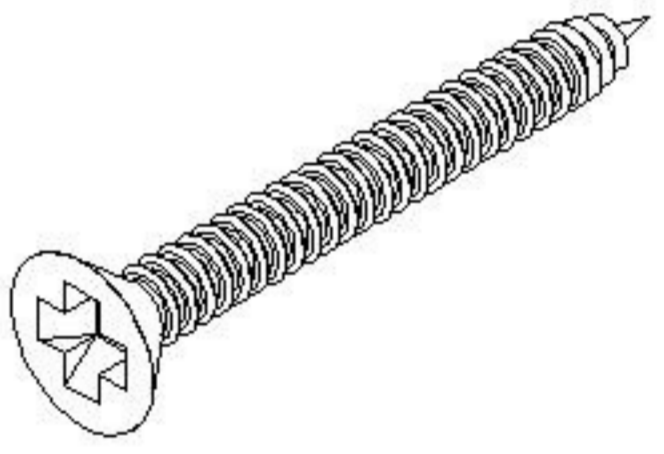
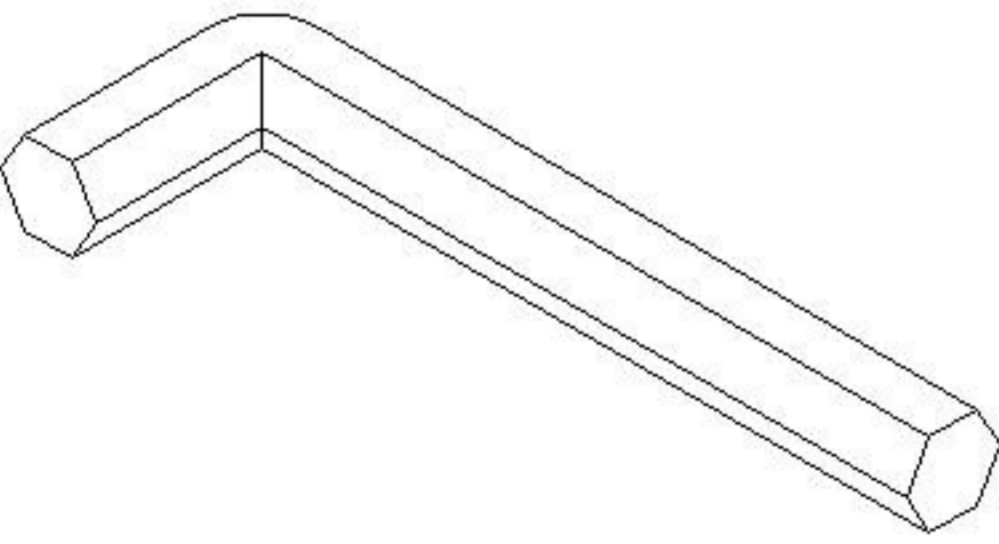
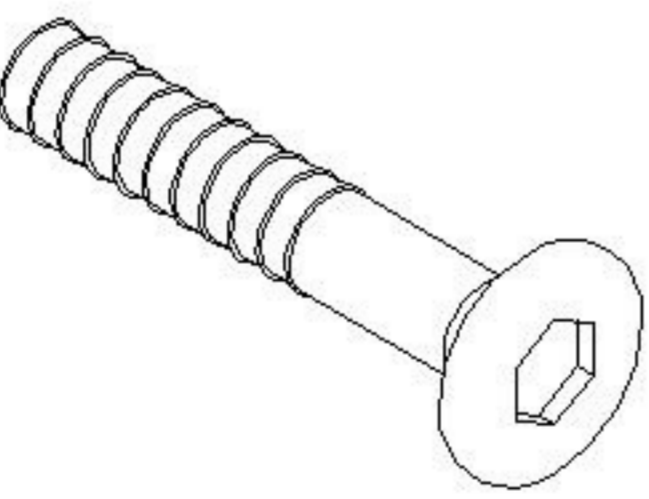
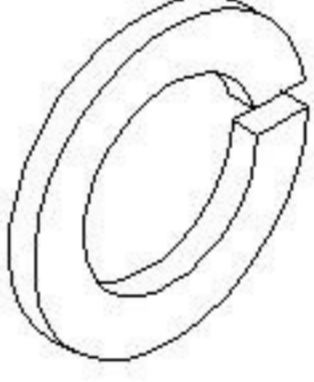
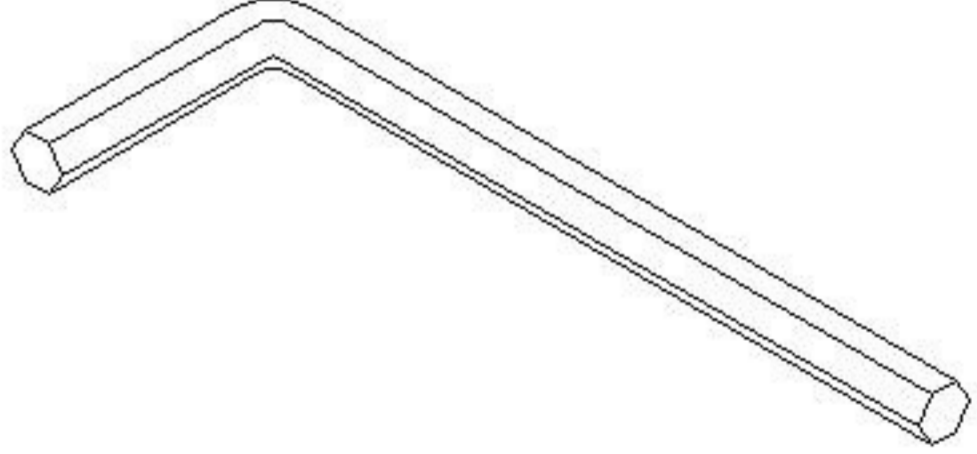
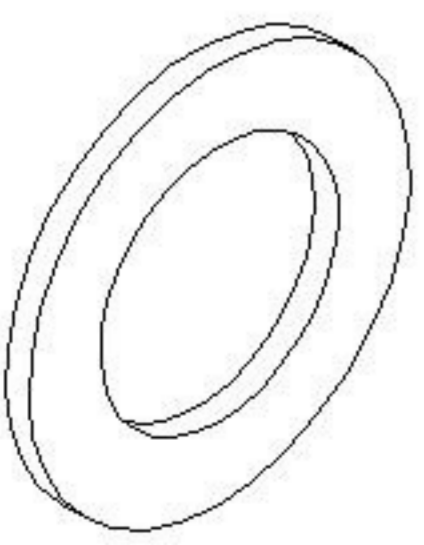
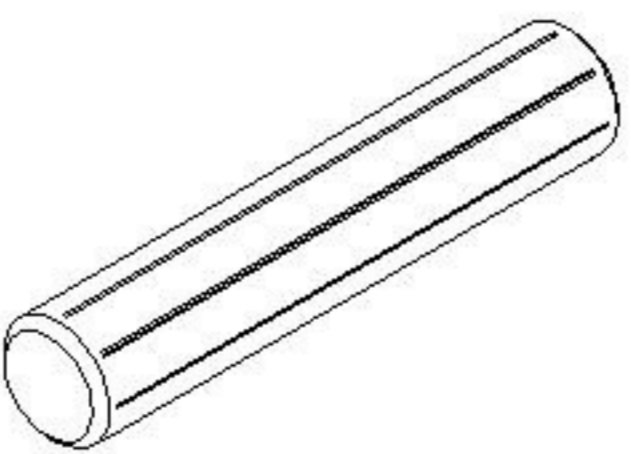
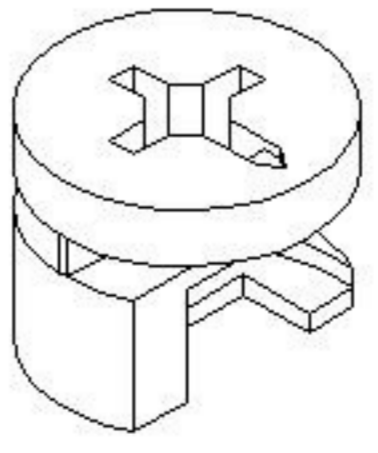
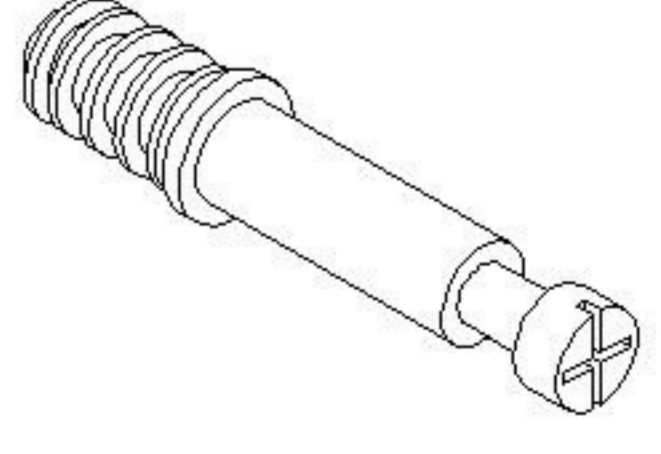
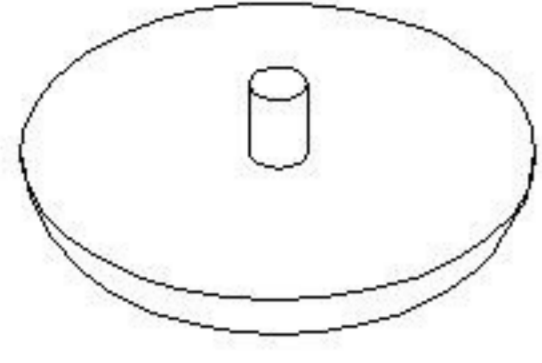


ASSEMBLY INSTRUCTION

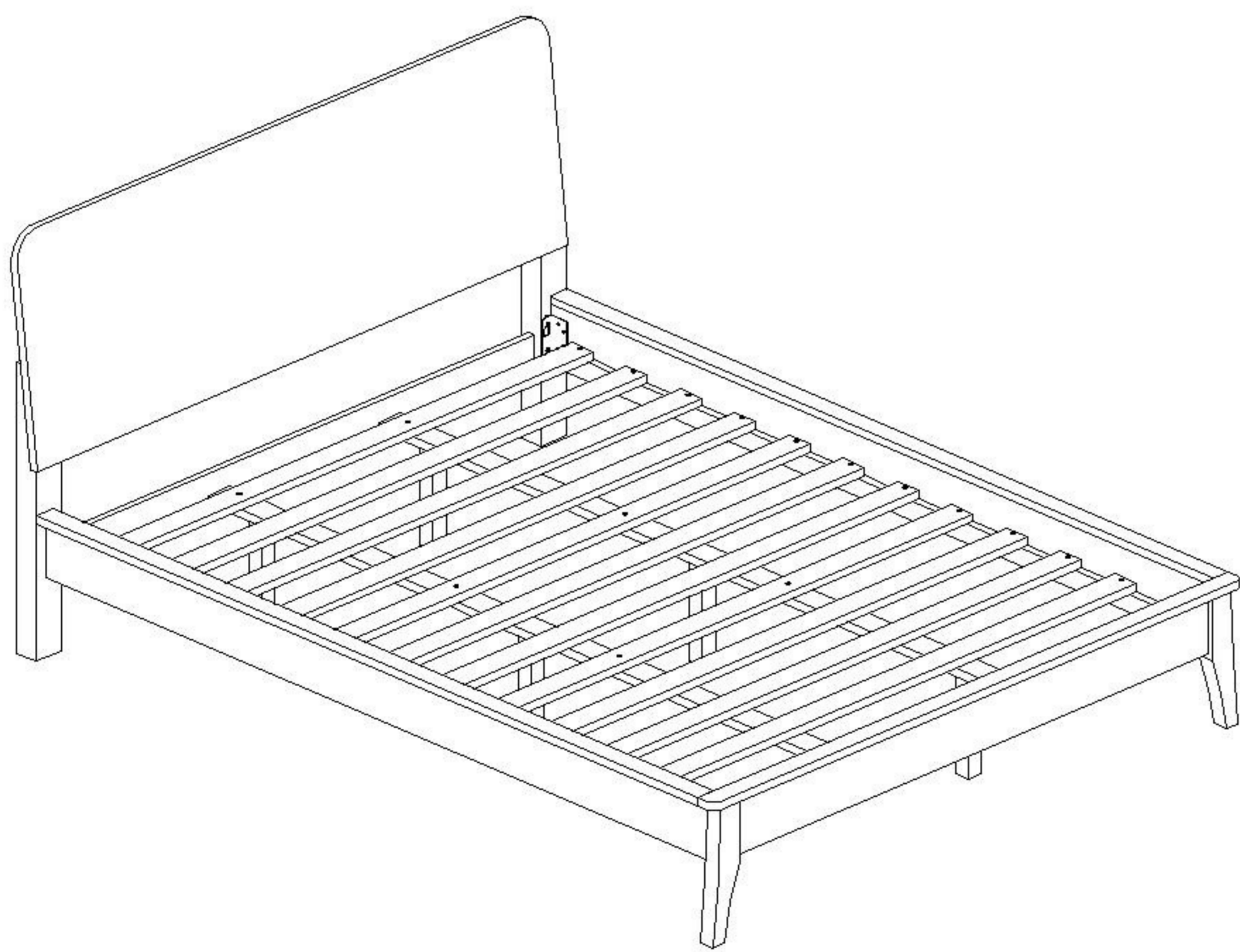
FULL BED QUEEN BED

A Headboard	B Footboard	C Side Rail	D Bed Slat
			
1pc	1pc	2pcs	8pcs
E Center Bar	F Support Stand	G Bed Slat with 4 Holes	H Headboard Post (Left)
			
2pcs	6pcs	4pcs	1pc
I Headboard Post (Right)	J Headboard Bar	K JCBB Bolt M8*20mm	L Screw M4*32mm
			
1pc	1pc	8pcs	32pcs
M Allen Key M5	N JCBC Bolt M6*30mm	O Spring Washer M6	P Allen Key M4
			
1pc	4pcs	4pcs	1pc
Q Flat Washer M6	R Dowel M8*35mm	S Cam Lock 15*12mm	T Cam Bolt 5*25mm
			
4pcs	2pcs	2pcs	2pcs

U Cam Lock Cover
17*5mm

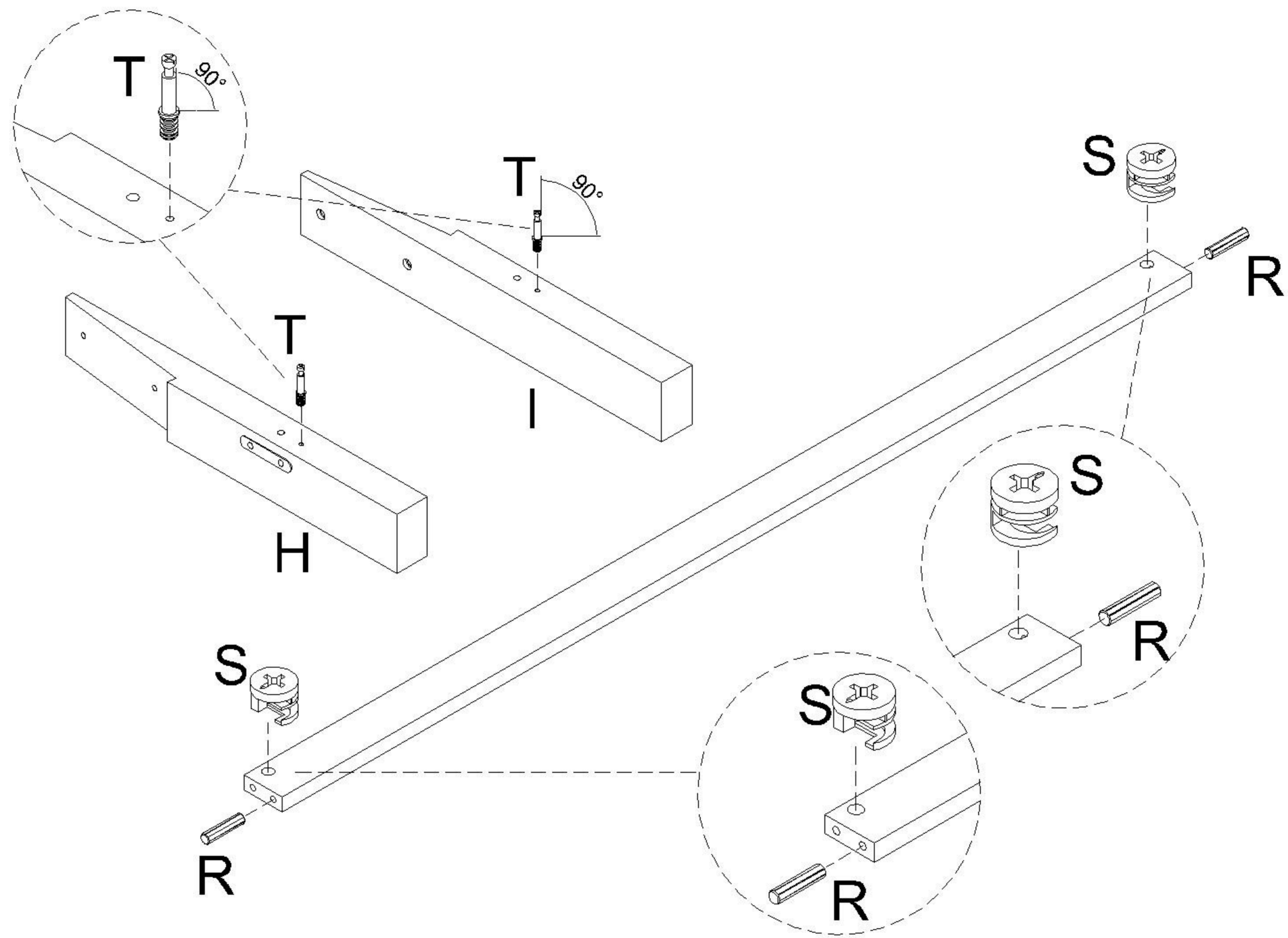


2pcs

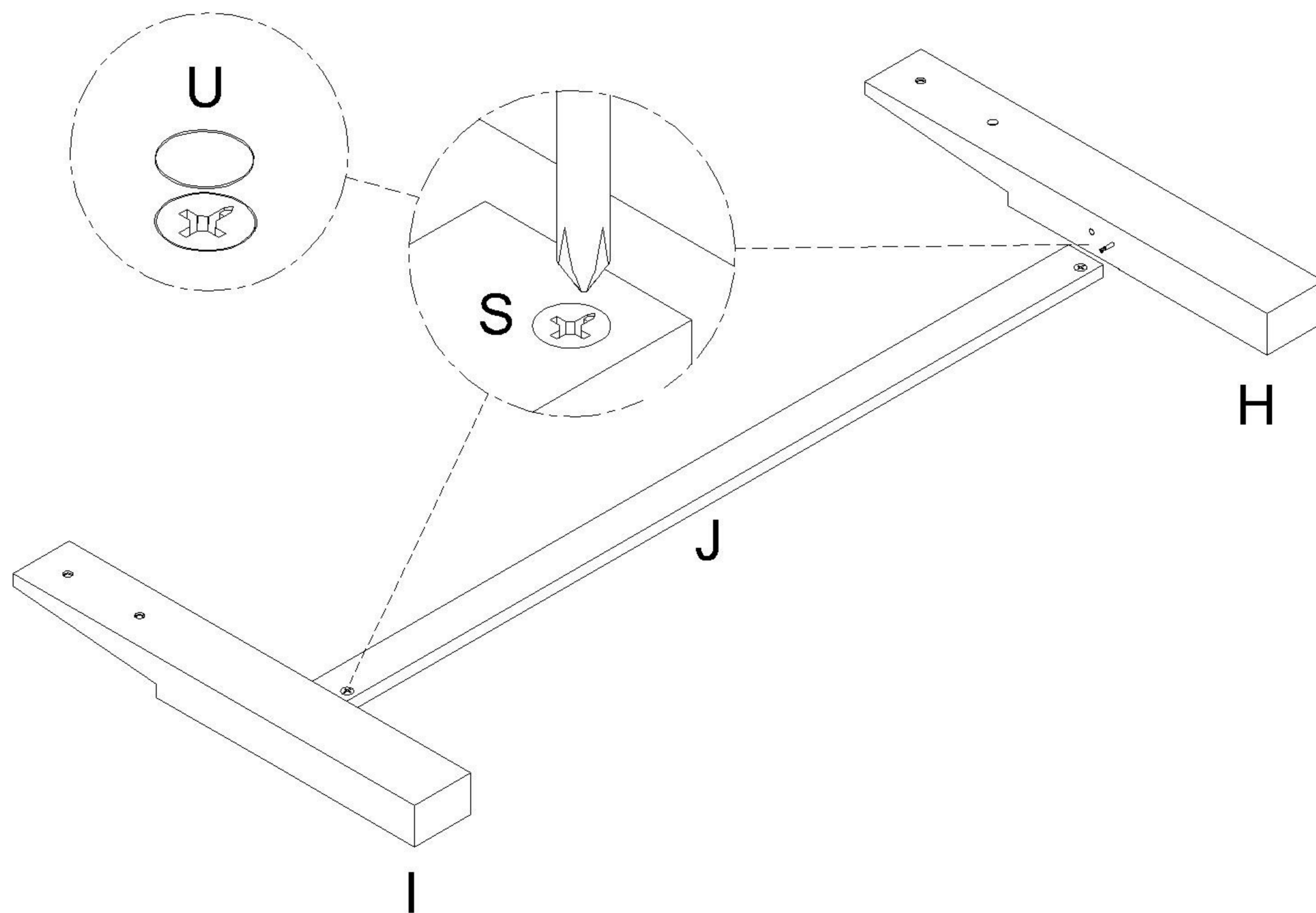


This pages lists all the contents included in the box. Please take the time to identify the hardware as well as the individual components to this product. As you unpack and prepare for assembly, place the contents on a carpeted or padded area to protect them from damage.

1 Insert Cam Bolt (T) to Left & Right Headboard Post (H & I). Insert Cam Lock (S) & Dowel (R) to Headboard Bar (J).

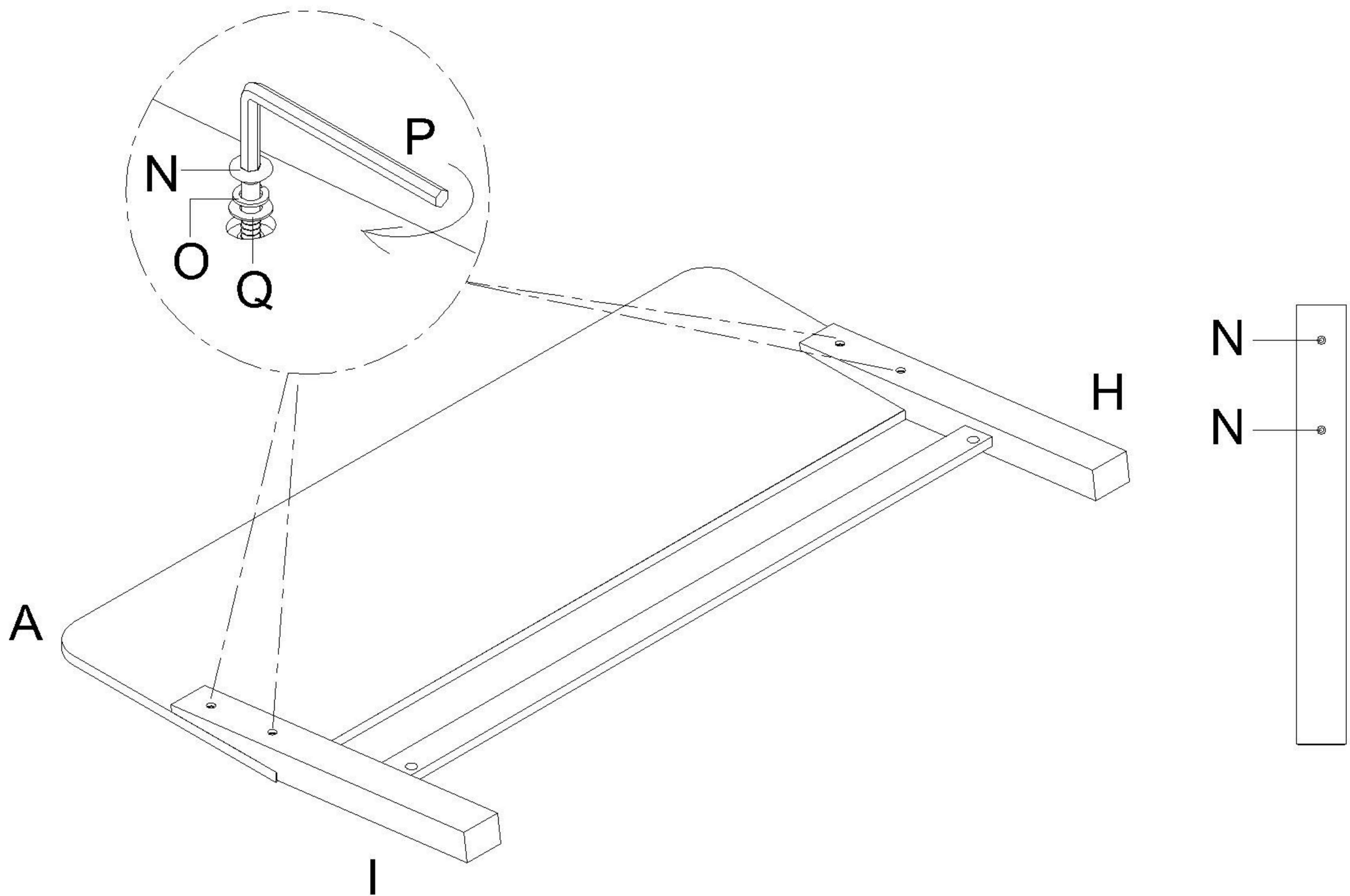


2 Attach Left & Right Headboard Post (H & I) to Headboard Bar (J) and secure with Cam Lock (S). Cover Cam Lock (S) with Cam Lock Cover (U).

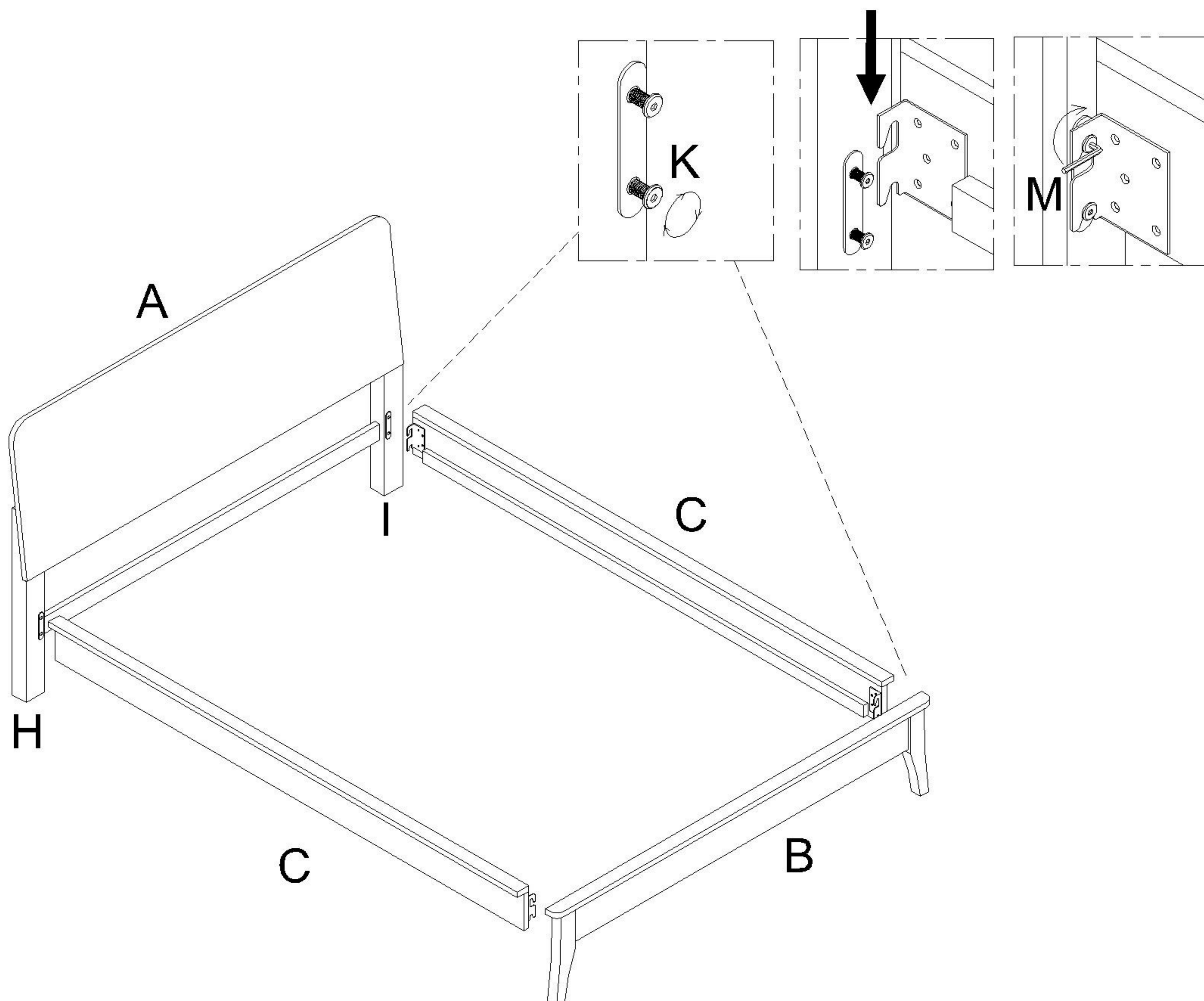


3

Attach Left & Right Headboard Post (H & I) to Headboard (A) and secure with Spring Washer (O), Flat Washer (Q) and JCBC Bolt (N) and tighten with Allen Key (P) clockwise.

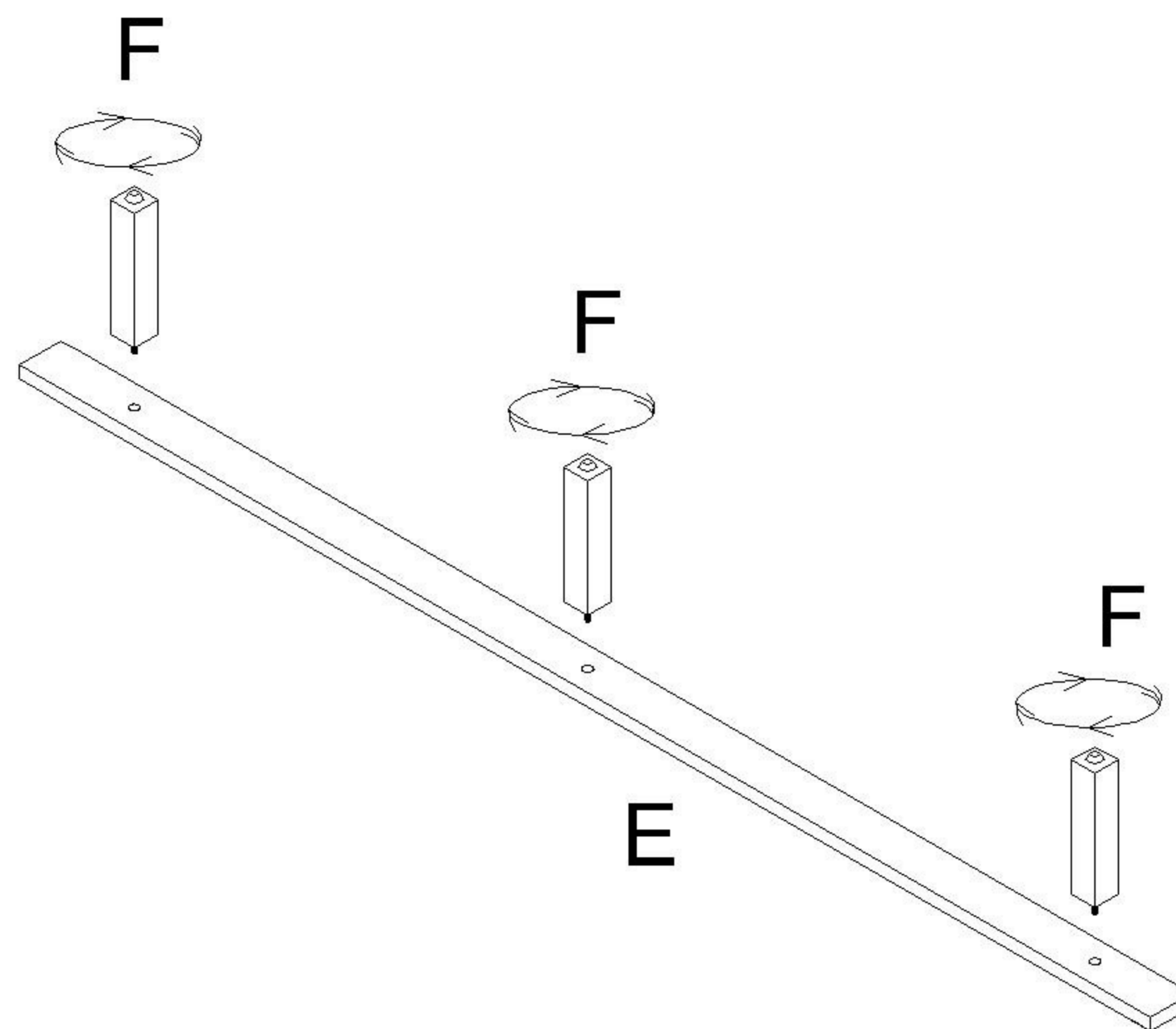
**4**

Attach JCBB Bolt (K) loosely to brackets in Left & Right Headboard Post (H & I) & Footboard (B). Attach Side Rail (C) to Left & Right Headboard Post (H & I) & Footboard (B) & fully tighten JCBB Bolt (K) with Allen Key (M).

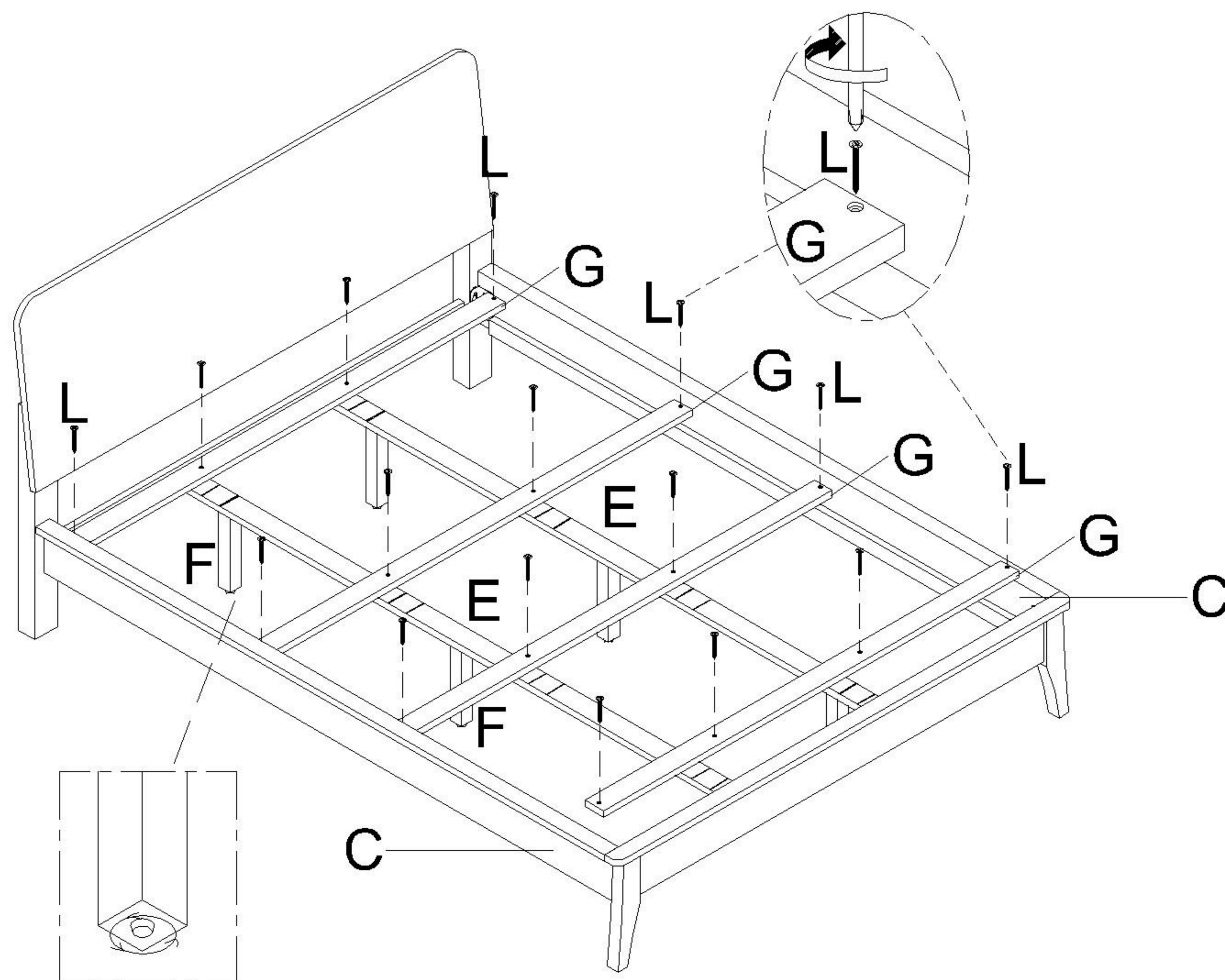


5

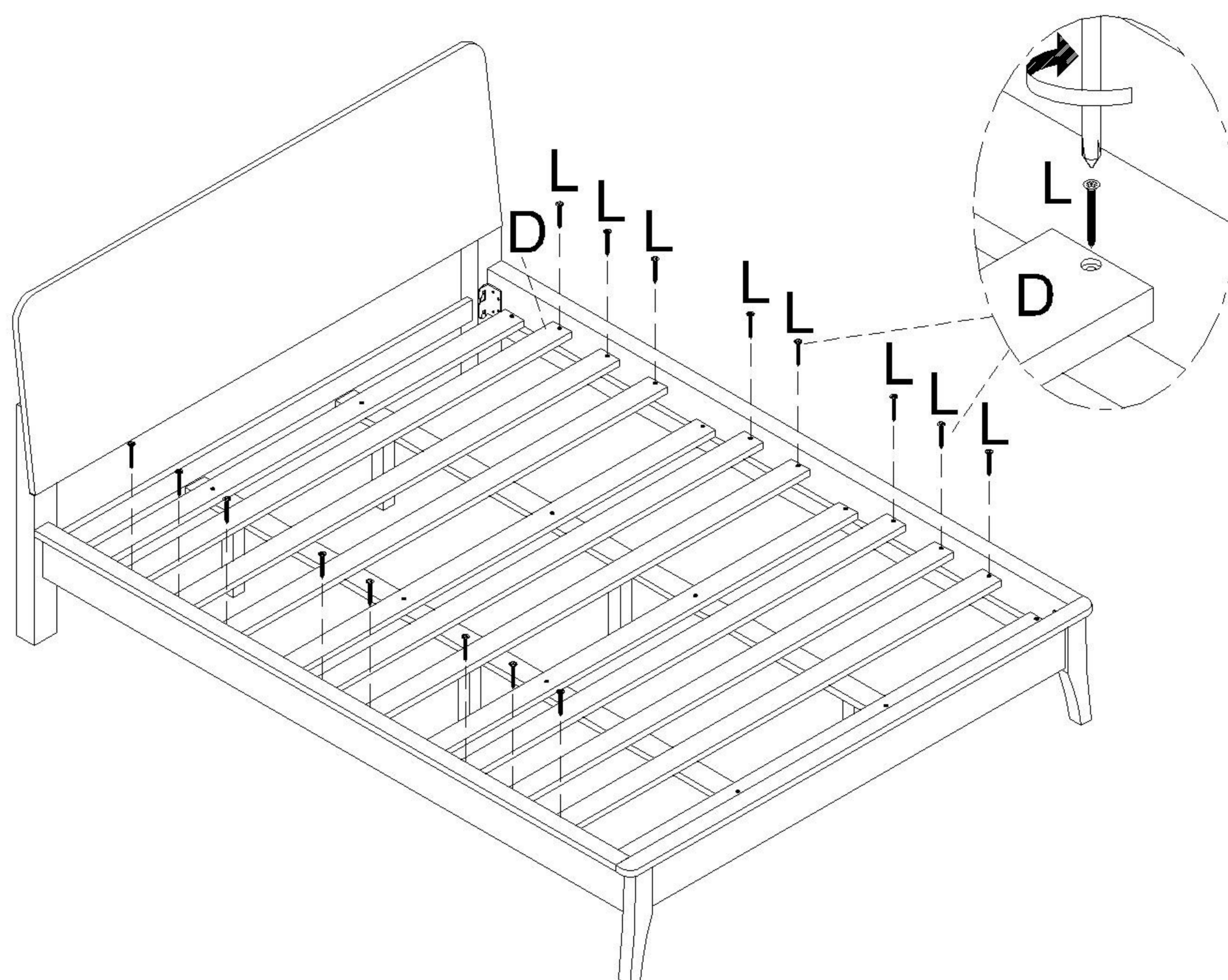
Screw in Support Stand (F) to Center Bar (E).

**6**

Place both Center Bar (E) & Support Stand (F). Attach Bed Slat (G) to Side Rail (C) using Screw (L) to secure. Adjust levelers as needed.



7 Attach Bed Slat (D) to Side Rail (C) using Screw (L) to secure.



Cleaning & Care

Treat surface with care. Surface is resistant to scratches but is not scratch resistant. Clean surfaces with a dry or damp soft cloth. Do not use abrasive cleaners. Hardware may loosen over time. Periodically check that all connections are tight.