



# Assembly & Installation Instructions

**CAUTION:** Read instructions carefully and turn electricity off at main circuit breaker panel before beginning installation.

## 3604

\*\*\*\*\*


**WARNING -** If any Special Control Devices are used with this Fixture, Follow the Instructions Carefully to assure full compliance with N.E.C. requirements. If there are any questions, contact a Qualified Electrical Contractor.

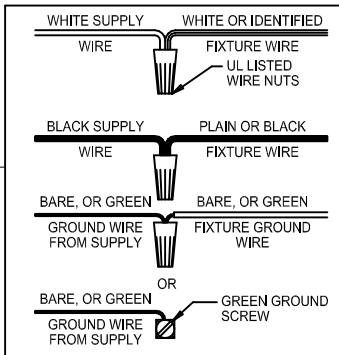
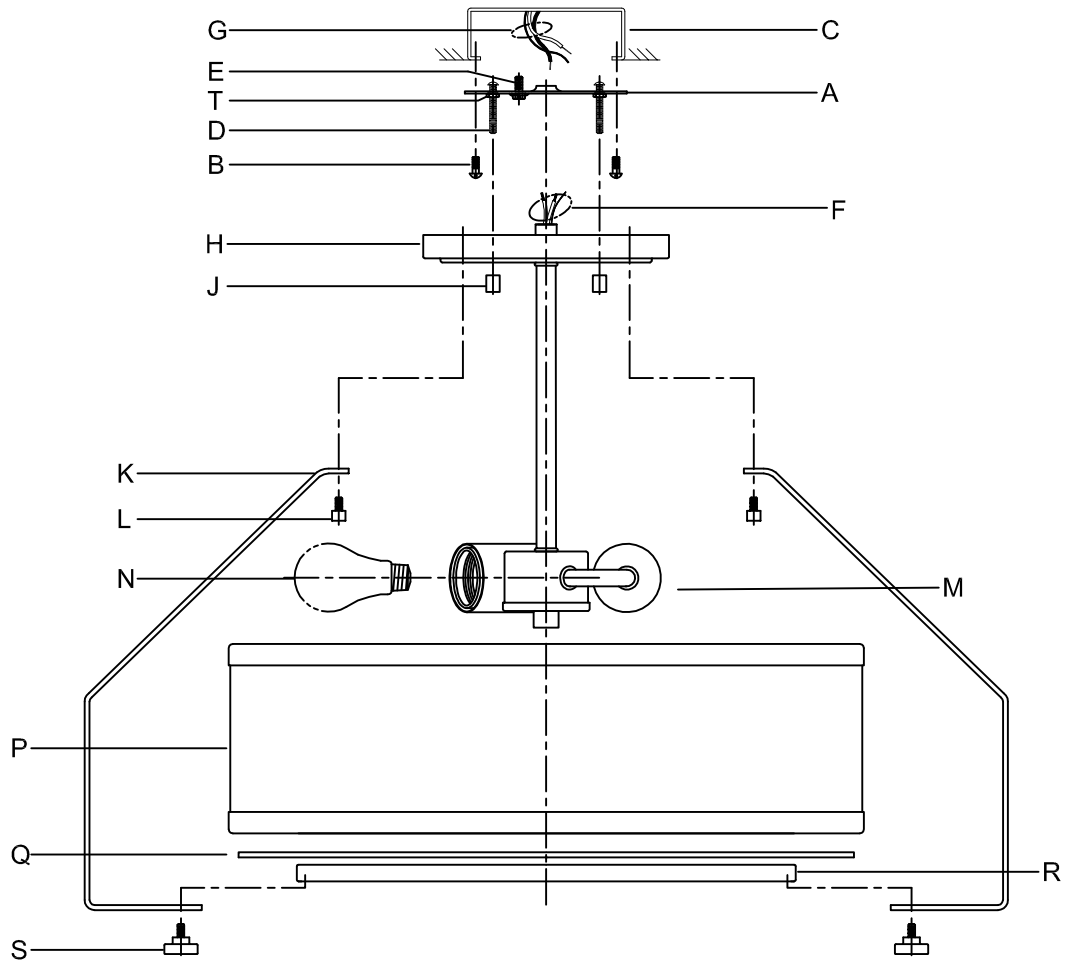
**WARNING -** This product contains chemicals known to the State of California to cause cancer, birth defects and /or other reproductive harm. Thoroughly wash hands after installing, handling, cleaning, or otherwise touching this product.

**CAUTION -** All glass is fragile, use care when handling Glass component(s) and or Lamp(s).

\*\*\*\*\*

**ASSEMBLY STEPS:**  
**PASOS PARA ENSAMBLAR:**  
**MODE D'ASSEMBLAGE:**

1. D,E → A
2. T → D
3. B,A → C
4. F → G 
5. H,J → D
6. L,K → H
7. N → M
8. R,Q,P → K
9. S,K → R



**B, C, G & N  
 (NOT FURNISHED)  
 (NO INCLUIDA)  
 (NON FOURNIE)**

# Assembly & Installation Instructions

**CAUTION:** Read instructions carefully and turn electricity off at main circuit breaker panel before beginning installation.

## 3604

\*\*\*\*\*  
**WARNING -** If any Special Control Devices are used with this Fixture, Follow the Instructions Carefully to assure full compliance with N.E.C. requirements. If there are any questions, contact a Qualified Electrical Contractor.

**CAUTION -** All glass is fragile, use care when handling Glass component(s) and or Lamp(s).

**WARNING -** This product contains chemicals known to the State of California to cause cancer, birth defects and /or other reproductive harm. Thoroughly wash hands after installing, handling, cleaning, or otherwise touching this product.

\*\*\*\*\*

### ASSEMBLY STEPS:

### PASOS PARA ENSAMBLAR:

### MODE D'ASSEMBLAGE:

1. EE, E → DD

2. B, DD → C

3. AA, BB, CC → EE (TO LOCK) (APRETAR) (À VERROUILLER)

4. BB → CC

5. F → FF, Z, Y, X

6. FF → H

7. Z → Q

8. X → Y

9. W → X

10. V, U → W

11. W → CC

12. F → W, V, U, CC, EE

13. F → G

14. U, V → CC

15. L, K → H

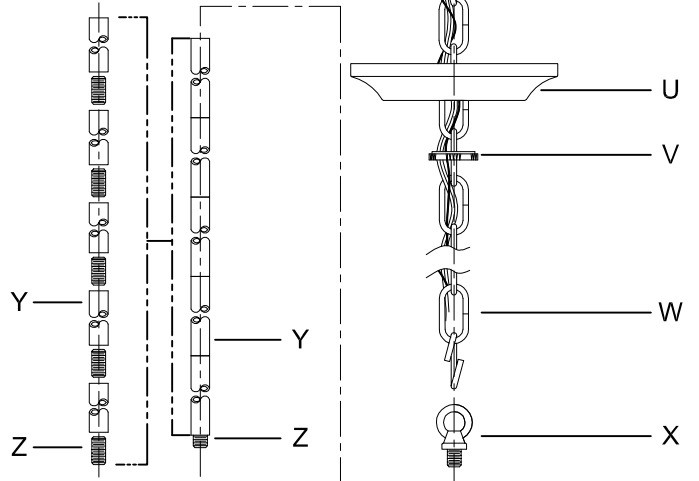
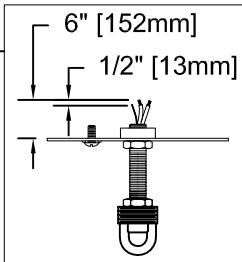
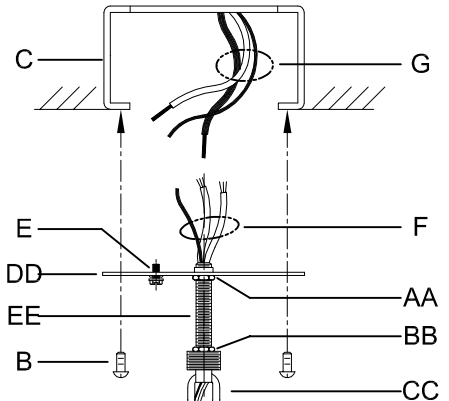
16. N → M

17. R, Q, P → K

18. S, K → R

B, C, G & N  
 (NOT FURNISHED)  
 (NO INCLUIDA)  
 (NON FOURNIE)

Attach (Y), (Z) to achieve overall desired length.  
 Una (Y), (Z) para lograr la longitud deseada.  
 Joignez (Y), (Z) pour obtenir la longueur voulue.



ADJUST HEIGHT WITH "EE"  
 AA → DD (TO LOCK)

AJUSTA LA ALTURA CON "EE"  
 AA → DD (APRETAR)

RÉGLEZ LA HAUTEUR AVEC "EE"  
 AA → DD (À VERROUILLER)

