

TRUFIG

BY SONANCE

FLUSH MOUNTED SOLUTIONS FOR VX AND VXQ SPEAKERS

Flush mounted TRUFIG solutions for VX and VXQ In-Ceiling Speakers provide precision placement and flush alignment for refined spaces. TRUFIG mounting solutions are available for round or square VX and VXQ In-Ceiling Speakers. The TRUFIG platforms allow Sonance VX and James VXQ Speakers to install into 1/2" or 5/8" gypsum.

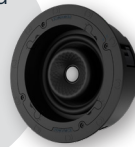
TO ACHIEVE A TRUFIG FLUSH FINISH

Select the platform or router template for the project's ceiling surface thickness and material.



+

Add any round 4", 6", or 8" Sonance or James VX or VXQ speaker.



+

Choose the appropriate trimless round or square grille for the size VX or VXQ speaker.



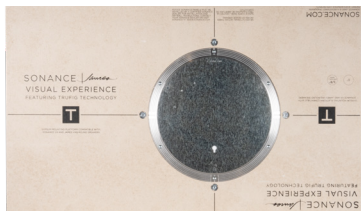
VX | VXQ TRUFIG 1/2" OR 5/8" GYPSUM MOUNTING PLATFORMS



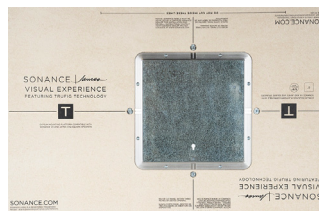
VX-VXQ-TRUFIG 4" RND GYP
5/8" SKU 93660 | 1/2" SKU 93661



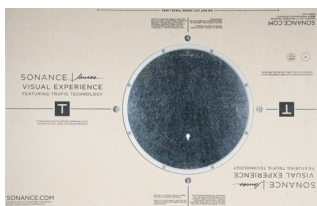
VX-VXQ-TRUFIG 4" SQR GYP
5/8" SKU 93662 | 1/2" SKU 93663



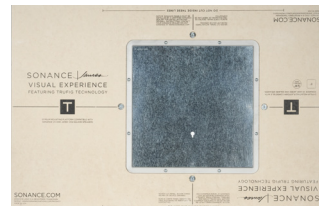
VX-VXQ-TRUFIG 6" RND GYP
5/8" SKU 93667 | 1/2" SKU 93668



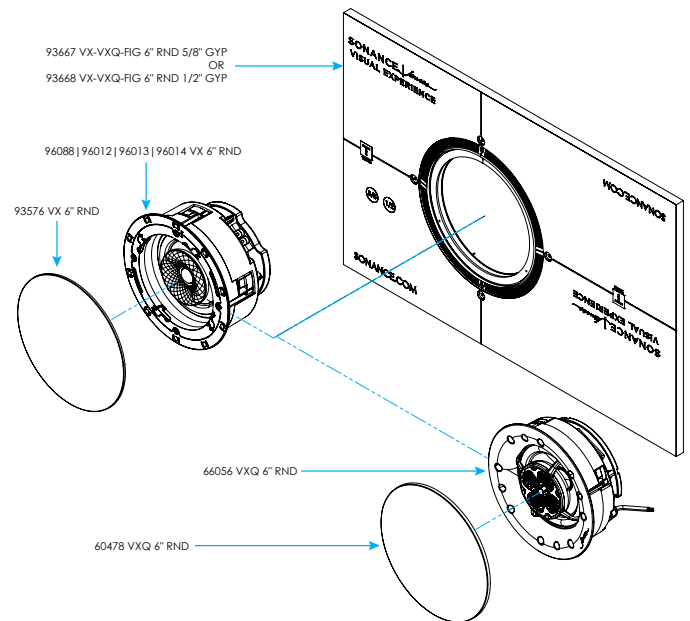
VX-VXQ-TRUFIG 6" SQR GYP
5/8" SKU 93669 | 1/2" SKU 93670



VX-VXQ-TRUFIG 8" RND GYP
5/8" SKU 93674 | 1/2" SKU 93675



VX-VXQ-TRUFIG 8" SQR GYP
5/8" SKU 93676 | 1/2" SKU 93677



*Requires compatible size and shape VX or VXQ speaker model plus appropriate trimless grille. See TRUFIG Router Template documents for information on Solid Surface installation.