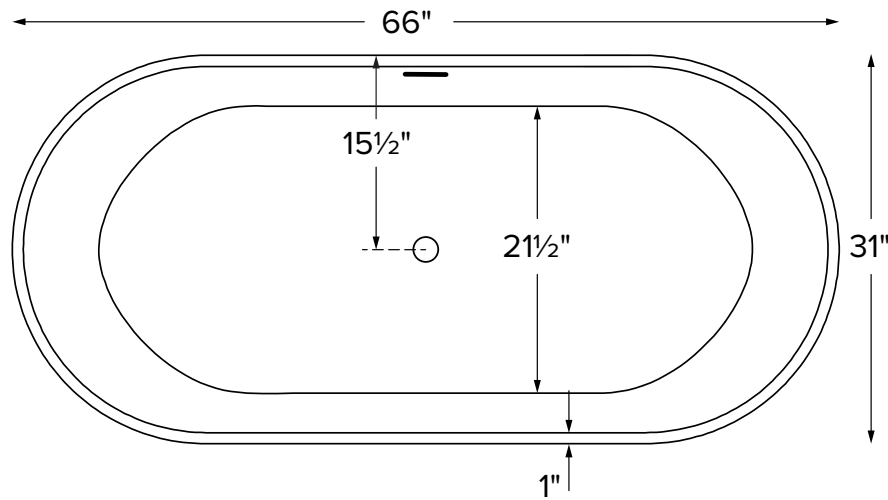




acquabella®

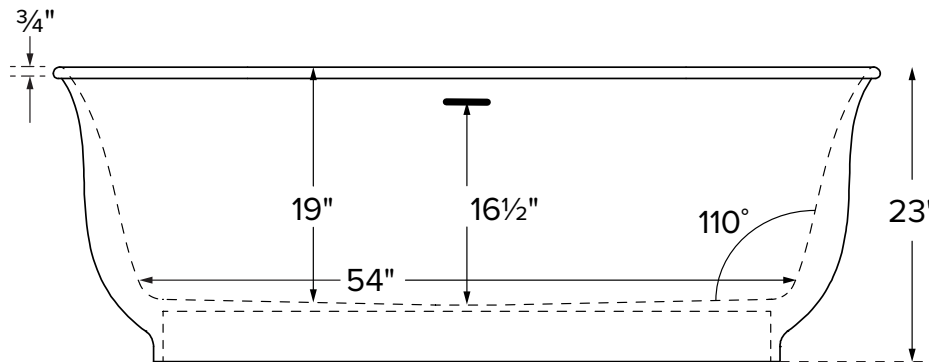
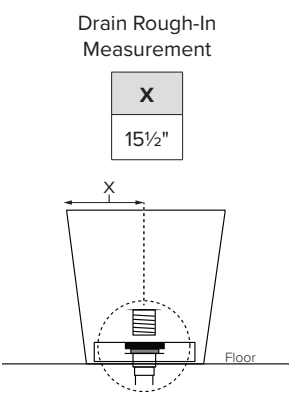
Hamilton 1

|  |
|--|
| MODEL 403  |
| 66" x 31" x 23"  |
| FREESTANDING<br>80 gal to overflow   |
| <b>Mineral Composite</b>   |
| 263 lbs / 119 kg soaker  |
| Filling this tub to the maximum may require an above average size or dedicated water heater. |



Drain Rough-In Measurement

|          |
|----------|
| <b>X</b> |
| 15 1/2"  |



| ELECTRICAL COMPONENTS & SPECIFICATIONS  |                     |          |
|---|---------------------|----------|
| Required Electrical Service - 110 Volt  |                     |          |
| Hydrotherapy Package  | Components Included | GFCI     |
| Air Massage   | heated blower       | 1-15 amp |
| Electrical requirements may change with the addition of optional therapy components.<br>See specific option details or installation information.<br>CSA Certified C/US; B45.5/IAPMO ANSI Z124.1 and ANSI 112.19.7 |                     |          |

### ORDERING AND INSTALLATION

- Before ordering or installing, please consider future access to equipment.
- Integrated overflow with toe tap drain included.
- Air baths require job site preparations for remote mounting the blower and required check valve. Check valve must be installed higher than the rim of the tub.
- Waterproof remote control included. Keypad is shipped loose and may be mounted nearby.
- Faucet valves cannot be installed on this tub model.

See the Installation & Operation Manual for more details.  
 MTI's Customer Service: Monday-Friday 8am-6pm EST  
 800-783-8827 or service@mtibaths.com

- Before discarding tub packaging, check for accessories that may be packaged inside.
- All product measurements are ±1/2".
- Specifications and configurations are subject to change without notice.
- Measurements herein supersede all others published prior to publication date below.

CSA # MMCT-403

©2025 by MTI Baths, Inc. Modification Rights Reserved

For more information on options and accessories go to Cosmopolitan Mineral Composite Tubs Options on [mtibaths.com](http://mtibaths.com)

- Blower & required check valve for airbath must be remote mounted
- Check valve must be installed higher than the rim of the tub.

**acquabella®**

Hamilton 1

MODEL # 403

66" x 31" x 23"

| Hydrotherapy    | Package Contents   | Part #        | MSRP            |
|-----------------|--|---------------|-----------------|
| <b>Soaker</b>   | Soaking bath - no jets. Includes an integrated slotted overflow with white toe-tap drain kit.                                | <b>S403</b>   | <b>\$6,800</b>  |
| <b>Air Bath</b> | 20 air jets, heated air blower, keypad, waterproof remote control, integrated slotted overflow with white toe-tap drain kit. | <b>AST403</b> | <b>\$11,130</b> |

### Recommended Drain Kits

Westbrass D98LTBPA-XX (included with tub)  
 OS&B 500 Series  
 Mountain Plumbing BDWOF-ST

### Accessories

#### Drain Kit Accessories

Brass Tailpiece (WIOBS) **\$95** (not compatible with OS&B 500Q)  
 Quick Drain Kit (WOQ) **\$510**

#### Pillows from **\$200**

#### Teak Bath Mat (TKMAT3018) **\$880**

*Custom sizes also available. Contact MTI for details and pricing.*



Inside view of tub