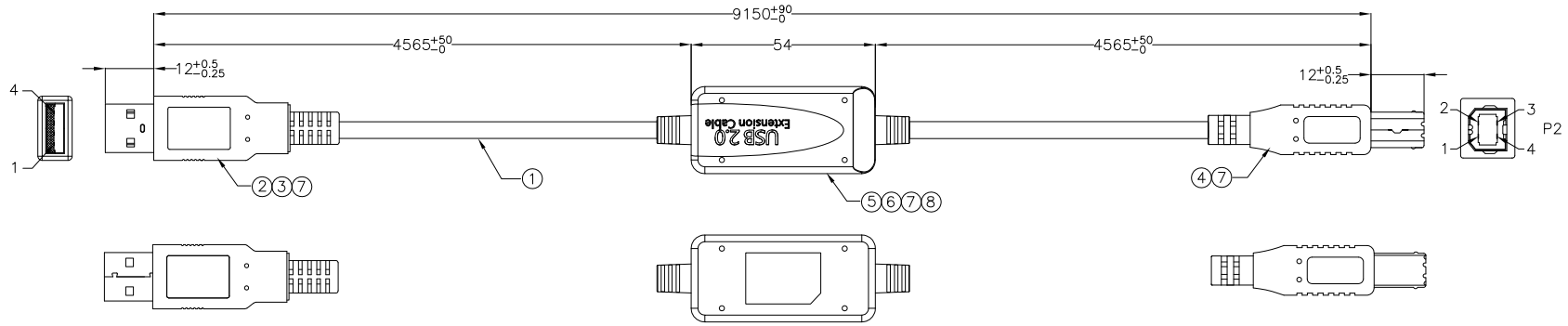


Product Description Here

USB2HAB30AC



NOTES:

- 1.100% TEST.
- 2.COMPUTER + PRODUCT +DISK COMPUTER CAN READ DISK
- 3.CONNECTION:USB A/M IS CONNECTED TO THE COMPUTER, AND USB B/M IS CONNECTED TO THE DISK

PIN ASSIGNMENT

COLOR	P1	WIRE TYPE	PCBA	WIRE TYPE	P2
RED	PIN1		PCBA USB IN USB OUT		PIN1
WHITE	PIN2				PIN2
GREEN	PIN3				PIN3
BLACK	PIN4				PIN4
SHIELD	SHELL				SHELL

NO.	NAME	MATERIAL DESCRIPTION	Q'TY	UNITS		
8	COVER	PBT BLACK, UL94V-0+GF	A/R	KG	MPN#	
7	OVER MOLD	45P BLACK PVC	A/R	KG	CB001491	
6	IN MOLD	PVC 30P BLACK (YG-001)	A/R	KG	TITLE	
5	PCBA	USB2.0 EXTENSION CABLE PCBA (IC:FE1.1)	1	SET	USB AM TO USB AM+MINI USB CABLE	
4	CONN.	USB B/M 4PIN SOLDER PIN G/F, WHITE PLASTIC	1	SET	ROHS 2011/65/EU COMPLIANT	
3	SHELL	USB AM PLUG SHEEL NICKEL PLATED	1	PCS	SCALE: NON	TOLERANCE UNSPECIFIED
2	CONN.	USB A/M 4PIN SOLDER CONTACT:PIN G/F , WHITE PLASTIC	1	PCS	UNIT: MM	0.00 ± 0.15
1	CABLE	USB2.0 28AWG*1P+20AWG*2C+A+D+B (65%) OD:5.0MM, BLACK PVC	A/R	M	ISSUE: 2	0.00 ± 0.25
						0.0 ± 0.35
						0 ± 0.50
						ANGLE ± 2'