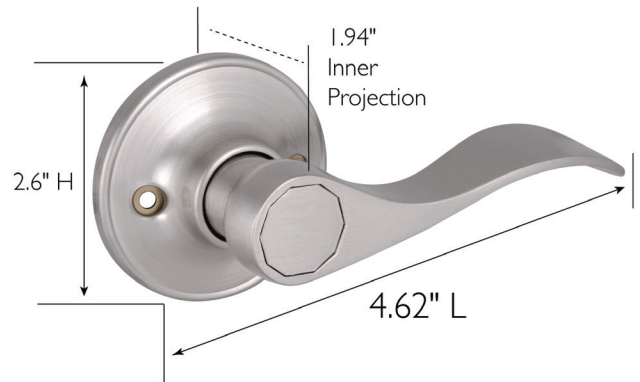


### Springdale Dummy Door Handle Satin Nickel



## SPECIFICATIONS

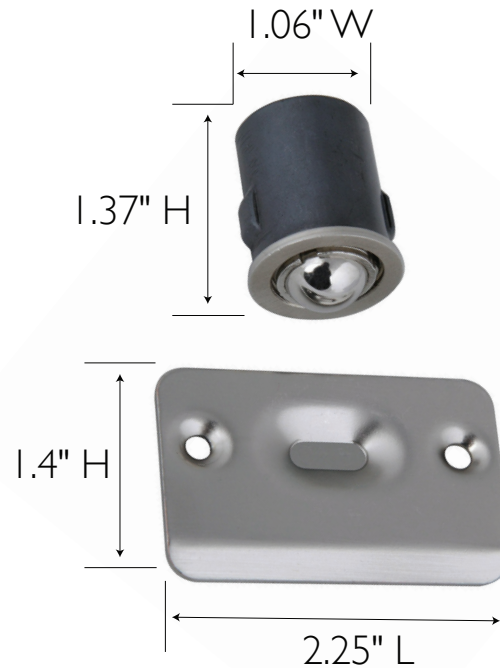
<b>MATERIAL CONSTRUCTION:</b>	Brass	<b>KEYWAY:</b>	N/A
<b>LOCK FUNCTION:</b>	Dummy	<b>REMOVABLE CORE:</b>	No
<b>DEADBOLT FUNCTION:</b>	N/A	<b>LATCH FACEPLATE I:</b>	N/A
<b>EXTERIOR MAX PROJECTION:</b>	1.94"	<b>LATCH BACKSET:</b>	N/A
<b>INTERIOR MAX PROJECTION:</b>	1.94"	<b>LATCH TYPE:</b>	N/A
<b>KOB VS. LEVER:</b>	Lever	<b>LATCHBOLT THROW DISTANCE:</b>	N/A
<b>KNOB DIMENSIONS:</b>	N/A	<b># PINS IN CYLINDER:</b>	N/A
<b>LEVER LENGTH:</b>	3.67"	<b>ANTI-BUMP PIN INSTALLED:</b>	N/A
<b>ROSE DIMENSIONS:</b>	2.63"H x 2.63" W x 2.63" D	<b># KEYS INCLUDED:</b>	N/A
<b>ROSETTE / ESCUTCHEON SHAPE:</b>	Round	<b>SPINDLE TYPE:</b>	Other
<b>CROSS BORE:</b>	2.13"	<b>MOUNTING HARDWARE INCLUDED:</b>	Yes
<b>EDGE BORE:</b>	1"	<b>TOOLS NEEDED FOR INSTALLATION:</b>	Phillips Screwdriver
<b>HANDING:</b>	Reversible	<b>ASSEMBLED WEIGHT:</b>	0.55 lbs.
<b>REKEYABLE?:</b>	No		

<b>WARRANTY:</b>	5-Year limited warranty
<b>ANSI CERTIFICATION:</b>	Grade 3
<b>BHMA GRADE:</b>	N/A
<b>FIRE RATED:</b>	No
<b>ADA COMPLIANT:</b>	No



TYPE:
JOB:
ORDER CODE:
APPROVALS:

Drive-In Ball Catch  
Satin Nickel



SPECIFICATIONS

MATERIAL CONSTRUCTION:	Zinc
MOUNTING HARDWARE INCLUDED:	Yes
TOOLS NEEDED FOR INSTALLATION:	N/A
ASSEMBLED DIMENSIONS:	2.5" H x 1.5" L x 1.3" D
ASSEMBLED WEIGHT:	0.15 lbs.
CROSS BORE:	N/A
CORNER RADIUS:	N/A
PROJECTION:	N/A
HINGE TYPE:	N/A
NUMBER OF HOOKS:	N/A

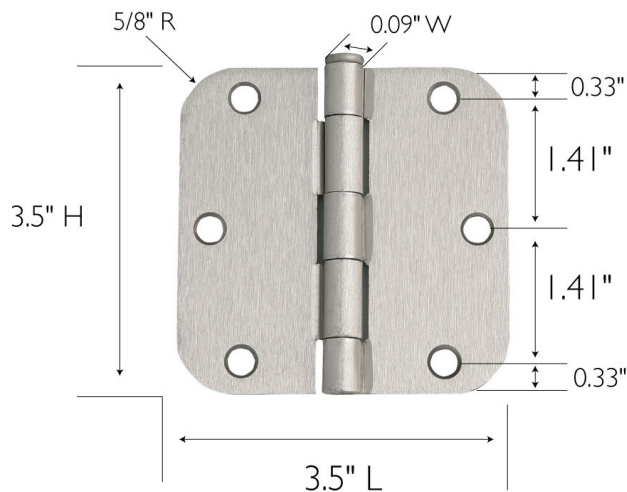
WARRANTY: 1-Year limited warranty

LEGAL FOR SALE IN CALIFORNIA: Yes



TYPE:
JOB:
ORDER CODE:
APPROVALS:

6-Hole 3.5" x 3.5", 5/8" Radius Door Hinge 6-Pack  
Satin Nickel



**SPECIFICATIONS**

<b>MATERIAL CONSTRUCTION:</b>	Steel
<b>MOUNTING HARDWARE INCLUDED:</b>	#9 x 3/4" (6 screws)
<b>TOOLS NEEDED FOR INSTALLATION:</b>	Screwdriver
<b>ASSEMBLED DIMENSIONS:</b>	3.5" H x 3.5" L x 0.13" W
<b>ASSEMBLED WEIGHT:</b>	2.5 lbs
<b>CORNER RADIUS:</b>	5/8"
<b>HINGE TYPE:</b>	Butt Hinge

**WARRANTY:** 1-Year limited warranty

**LEGAL FOR SALE IN CALIFORNIA:** Yes



TYPE:
JOB:
ORDER CODE:
APPROVALS: