



ASSEMBLY INSTRUCTION

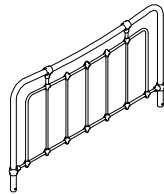
1601F-1 FULL METAL BED

HOMELEGANCE

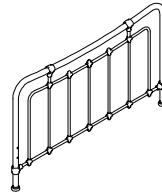
PART LIST:



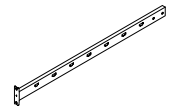
A:LSF / RSF HB Leg
2PCS



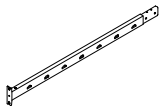
B:Headboard
1PC



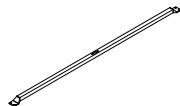
C:Footboard
1PC



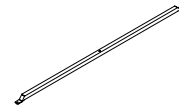
D:Side Rail
2PCS



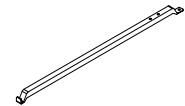
E:Side Rail
2PCS



F:Center Cross Bar
1PC



G:Side Cross Bar
2PCS



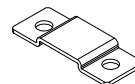
H:Center Rail
Support Bar
2PCS



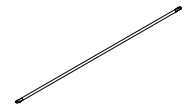
I:Center Slat
Support Leg
3PCS



J:Center Rail
Support Leg
2PCS



K:Bracket
1PC



L:Slat
14PCS

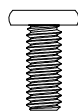


M:Slat Connector
28PCS

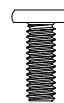
HARDWARE LIST:



1: Bolt 1/4*22mm
X 16pcs



2: Bolt 5/16*19mm
X 8pcs



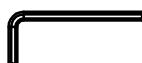
3: Bolt 1/4*17.5mm
X 6pcs



4: Bolt 1/4*40mm
X 4pcs



5: Nut 1/4
X 4psc



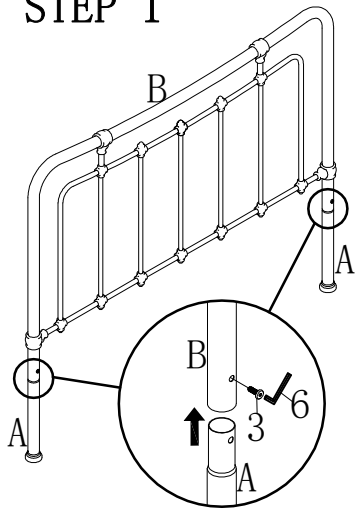
6: Allen Key
X 1pc



7: Wrench
X 1PC

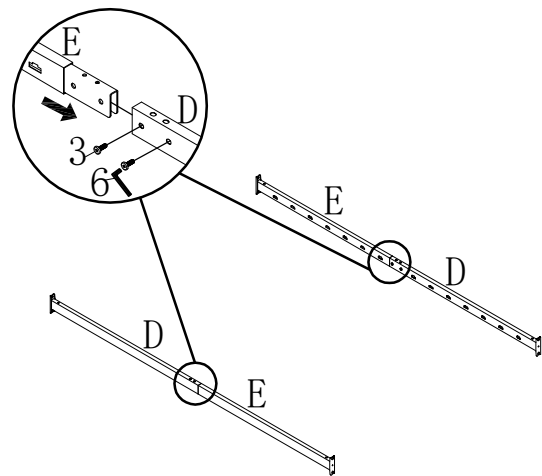
Note: Please do not tighten all bolts until the bed is assembled completely.

STEP 1



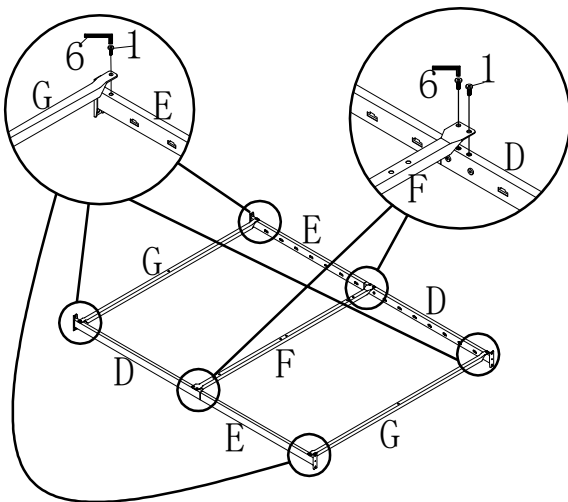
Hardware 3: 2 pcs

STEP 2



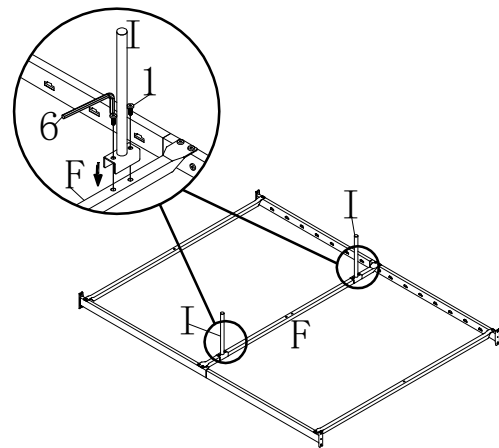
Hardware 3: 4 pcs

STEP 3



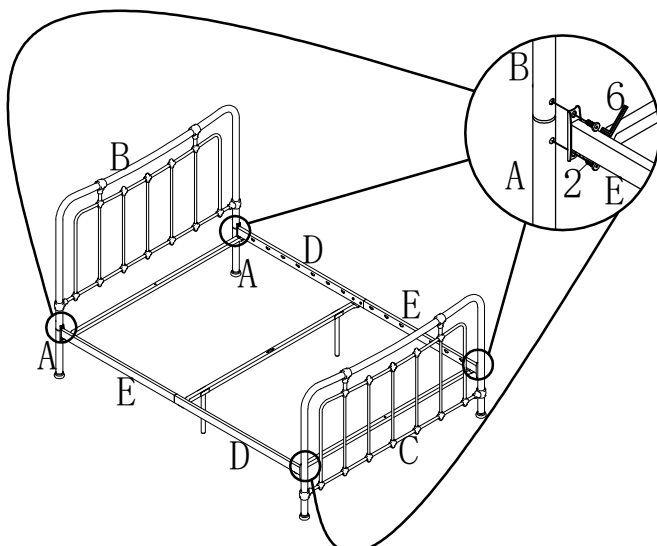
Hardware 1: 8 pcs

STEP 4



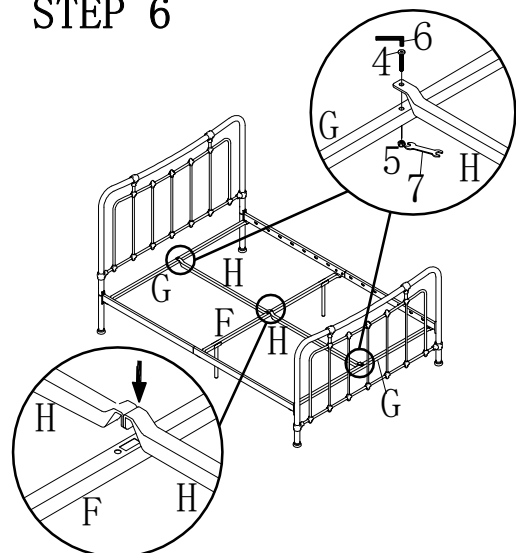
Hardware 1: 4 pcs

STEP 5



Hardware 2: 8 pcs

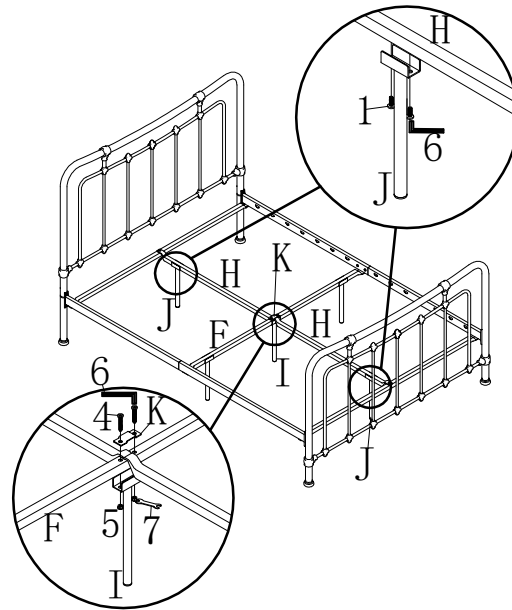
STEP 6



Hardware 4: 2 pcs
Hardware 5: 2 pcs

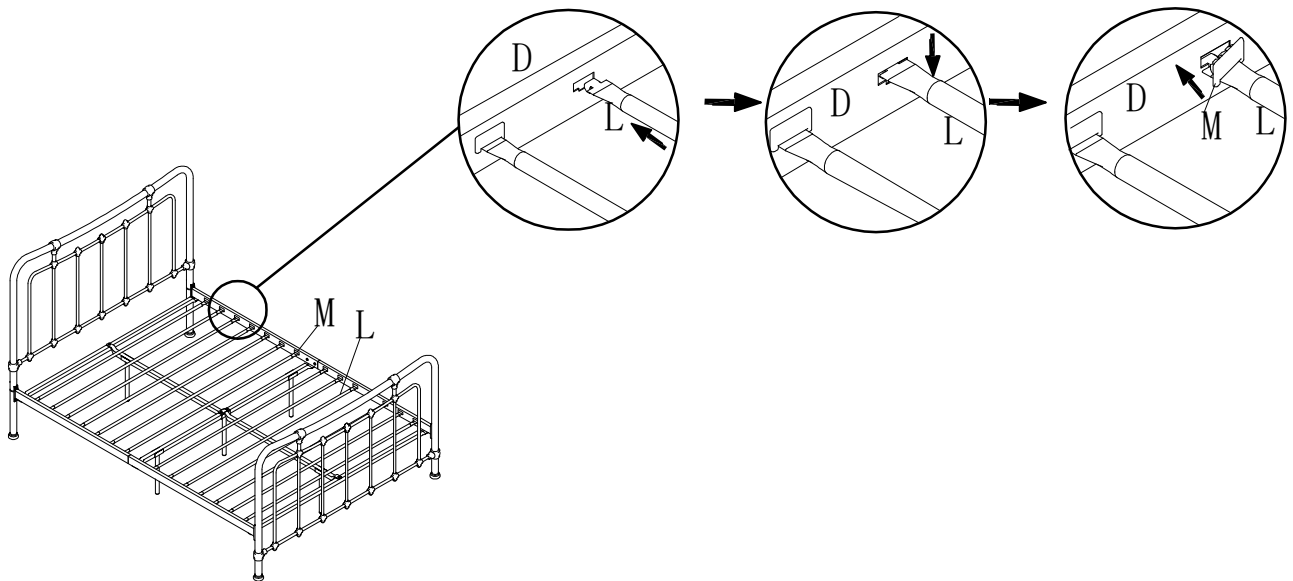
Note: Please do not tighten all bolts until the bed is assembled completely.

STEP 7

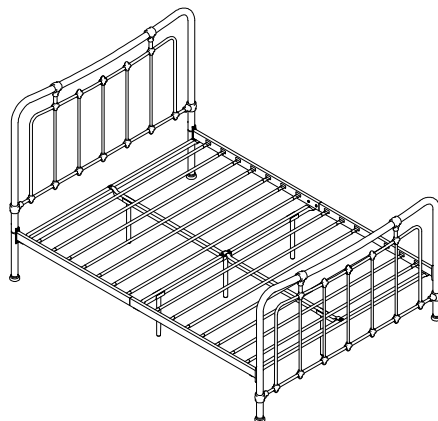


Hardware 1: 4 pcs
Hardware 4: 2 pcs
Hardware 5: 2 pcs

STEP 8



COMPLETED



For items use on wooden floor, hard surfaces or carpets, it is recommended to install protective pads under all legs and supports to avoid/prevent from damages/scratches and discoloration.