

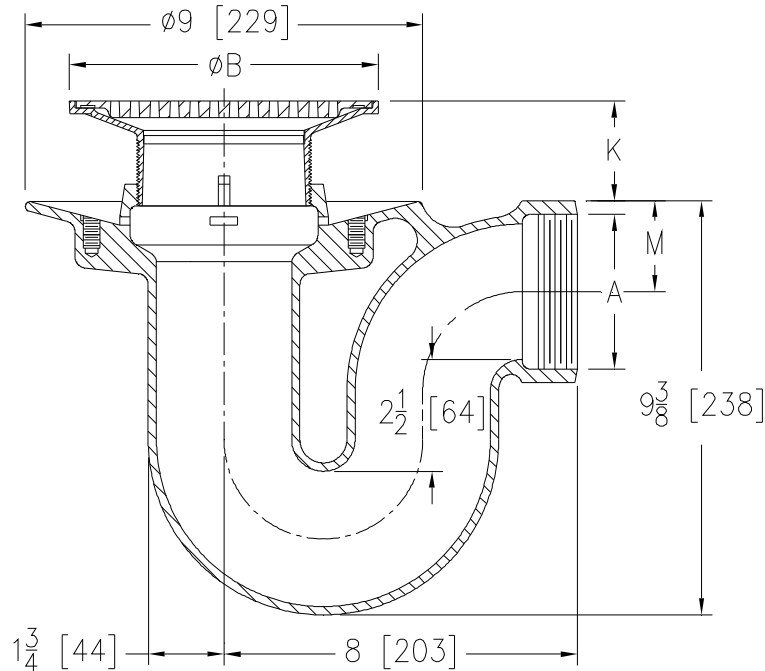
**Z453B**

DEEP SEAL TRAP DRAIN W/ "TYPE B" STRAINER

SPECIFICATION SHEET

TAG \_\_\_\_\_

Dimensional Data (inches and [ mm ]) are Subject to Manufacturing Tolerances and Change Without Notice



Dimensions In Inches					Approx. Wt. Lbs. [kg]	Strainer Open Area Sq. In. [cm <sup>2</sup> ]
A Pipe Size	B Strainer Dia.	K		M		
		Min.	Max.			
2-3 [51-76]	5 [127]	3/4 [19]	1-7/8 [48]	2-1/8 [54]	30 [14]	8 [52]
4 [102]						
2-3 [51-76]	6 [152]	1-1/8 [29]	2-1/8 [54]	2-1/8 [54]	31 [14]	9 [58]
4 [102]						
2-3 [51-76]	7 [178]	1-3/8 [35]	2-1/2 [64]	2-1/8 [54]	33 [15]	12 [77]
4 [102]						
4 [102]	8 [203]	1-3/8 [35]	2-1/2 [64]	2-3/4 [70]	33 [15]	18 [116]
4 [102]	10 [254]	1-7/8 [48]	2-7/8 [73]	2-3/4 [70]	35 [16]	26 [168]

**ENGINEERING SPECIFICATION:**  
ZURNZN453B

Deep Seal trap floor and shower drain, Dura-Coated cast iron body with uniform diameter integral trap, side outlet, seepage pan, and adjustable "TYPE B" polished, nickel bronze, light-duty strainer.

**OPTIONS** (Check/specify appropriate options)**PIPE SIZE**

2-3-4 [51-76-102]

2-3-4 [51-76-102]

(Specify size/type) **OUTLET**

\_\_\_ IP Threaded

\_\_\_ NH No-Hub

**PREFIXES**

\_\_\_ ZB D.C.C.I. Body Assembly w/ Polished Bronze Top

\_\_\_ ZN D.C.C.I. Body Assembly w/ Polished Nickel Bronze Top\*

**SUFFIXES**

\_\_\_ -AR Acid Resisting Epoxy Coated Cast Iron

\_\_\_ -C Clamping Collar

\_\_\_ -G Galvanized Cast Iron

\_\_\_ -J Auxiliary Inlet (Specify 1-1/2 [38] or 2 [51])

\_\_\_ -P Trap Primer Connection (Specify 1/2 [13] or 3/4 [19])

\_\_\_ -PC Protective Cover

\_\_\_ -U 1 - 3 [25 - 76] High Extension Adapter

\_\_\_ -VP Vandal-Proof Secured Top

\_\_\_ -Y Sediment Bucket

\* Regularly furnished unless otherwise specified.

Zurn Industries, LLC | Specification Drainage Operation  
 1801 Pittsburgh Avenue, Erie, PA U.S.A. 16502 · Ph. 855-663-9876, Fax 814-454-7929  
 In Canada | Zurn Industries Limited  
 3544 Nashua Drive, Mississauga, Ontario L4V 1L2 · Ph. 905-405-8272, Fax 905-405-1292  
[www.zurn.com](http://www.zurn.com)

Rev. H  
 Date: 05/28/14  
 C.N. No. 131030  
 Prod. | Dwg. No. Z453B