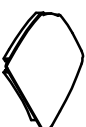


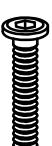
- (A) x1 Chair Back \*  
 x1 Dossier de chaise  
 x1 Respaldo de silla



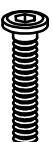
- (B) x1 Seat Frame \*  
 x1 Cadre du Siège  
 x1 Armadura del asiento



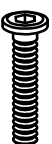
- (C) x2 Legs \*  
 x2 Jambes  
 x2 Piernas



- (D) x2 Allen bolt  $\phi 5/16" \times 38mm$  \*  
 x2 Vis à tête creuse hexagonale  $\phi 5/16" \times 38mm$   
 x2 Perno Allen  $\phi 5/16" \times 38mm$



- (E) x4 Allen bolt  $\phi 5/16" \times 57mm$  \*  
 x4 Vis à tête creuse hexagonale  $\phi 5/16" \times 57mm$   
 x4 Perno Allen  $\phi 5/16" \times 57mm$



- (F) x4 Allen bolt  $\phi 5/16" \times 83mm$  \*  
 x4 Vis à tête creuse hexagonale  $\phi 5/16" \times 83mm$   
 x4 Perno Allen  $\phi 5/16" \times 83mm$



- (G) x10 Lock washer  $\phi 5/16"$  \*  
 x10 Rondelle de blocage  $\phi 5/16"$   
 x10 Arandela de Seguridad  $\phi 5/16"$



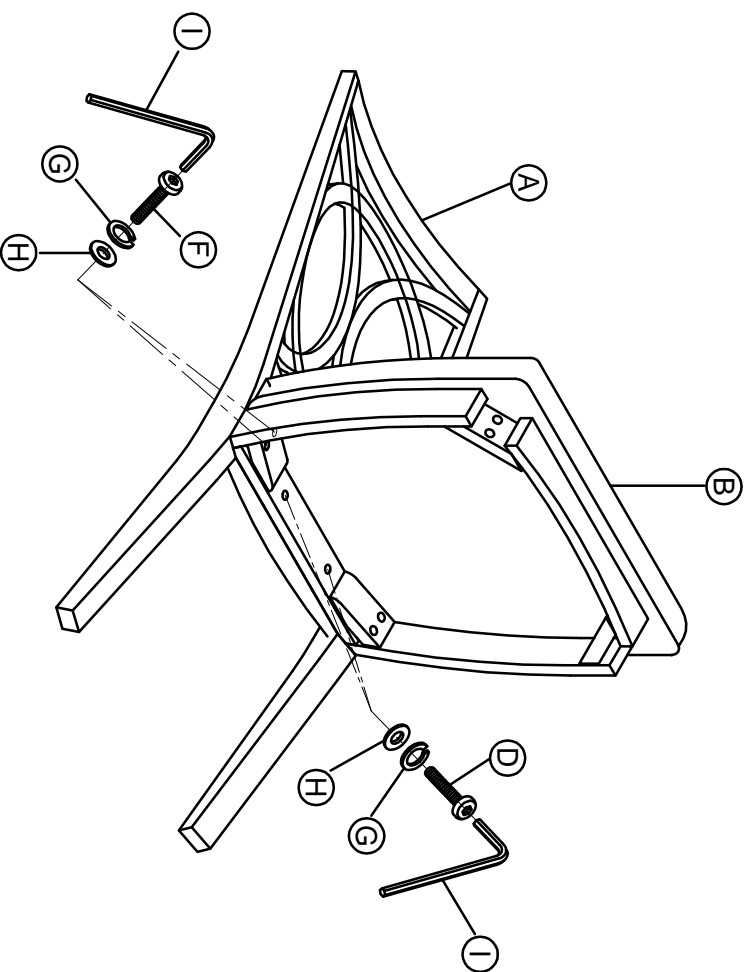
- (H) x10 Flat Washer  $\phi 5/16" \times 22 \times 1.5mm$  \*  
 x10 Rondelle plate  $\phi 5/16" \times 22 \times 1.5mm$   
 x10 Arandela plana  $\phi 5/16" \times 22 \times 1.5mm$



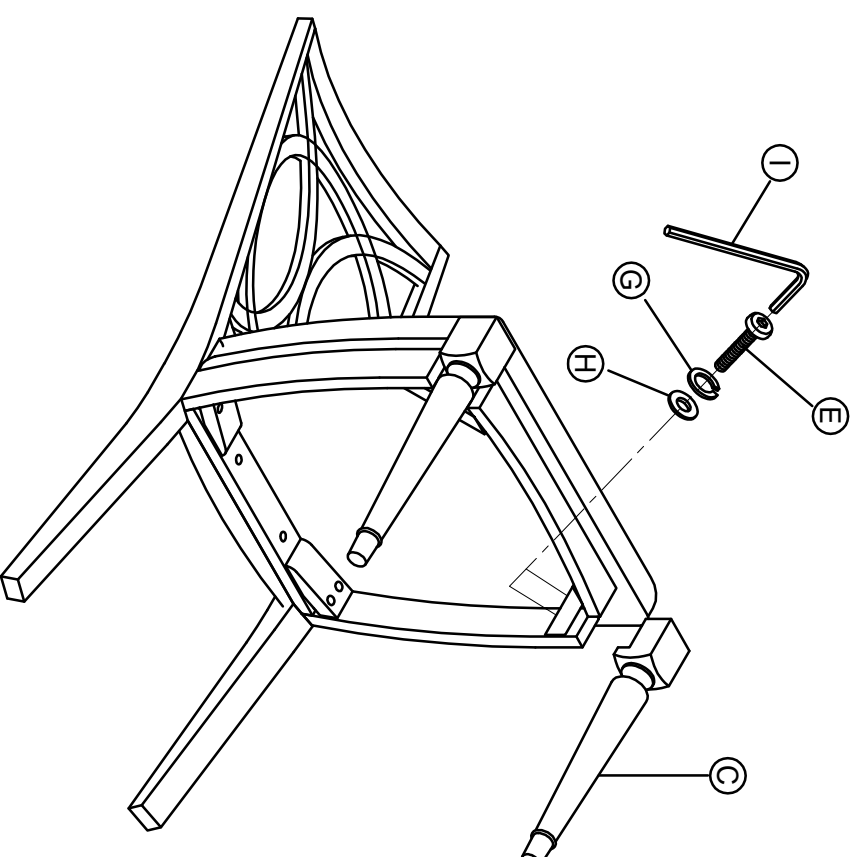
- (I) x1 Allen Key 5mm \*  
 x1 Clé hexagonale 5mm  
 x1 Llave Allen 5mm

\* Replaceable Part

1

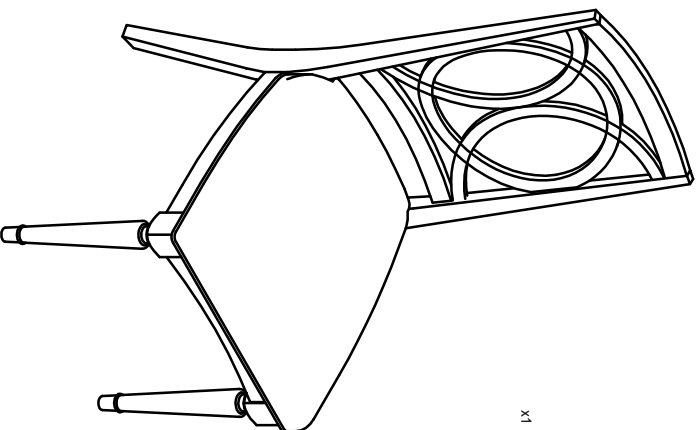


2

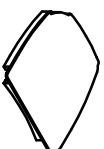


\* Replaceable Part

REPLACEABLE PART / PARTIE REMPLAÇABLE / PARTE REEMPLAZABLE  
ITEM NO. / ARTICLE NO. / ARTICULO NO. : P344260  
DESCRIPTION / LA DESCRIPTION / DESCRIPCIÓN : BACK SIDE CHAIR / CHAISE D'APPOINT / SILLA



x1 RP344260-BACK-Chair Back \*  
Dossier de chaise  
Respaldo de silla



x1 RP344260-FRAME - Seat Cushion  
Coussins de siège  
Cojines de asientos



x2 RP344260-LEGF - Front Leg \*  
Patte avant  
Pata delantera



x1 RP344260-HWKIT-Hardware Kit \*  
Liste des pièces de quincaillerie  
Lista del kit de materiales

\* Replaceable Part

## Protect Your Wood or Laminate Flooring

\*This statement applies to any floor without carpet.

If not careful, all furniture including upholstery and case pieces can scratch, scuff and even gouge floors. The recommendation is to have felt, rubber pads or area rugs under furniture on flooring without carpet.

### **Moving your furniture**

Pushing and dragging furniture over floors without carpet can lead to scratches and scuffs. Have someone help when moving the larger pieces of furniture by lifting, try using a dolly or moving pads.

### **Felt and rubber pads**

Applying furniture pads to the feet of furniture helps cushion contact points. Furniture pads can be found at local hardware stores. Felt pads slide easily across the floor, making them ideal for dining chairs and other pieces that move with use. Rubber pads will help furniture stay in place and are perfect for larger pieces, like sofas and loveseats.

### **Area rugs and rug pads**

Using an area rug under furniture is another way to protect your floor from scratches and scuff marks. A rug pad under the area rug will provide extra cushion and added protection.