

KALLISTA®

Script® by KALLISTA Script Sink Faucet, Low Spout, Lever Handles P25006-LV

Features

- A selection of products within this collection is in stock and ready to ship. Please visit kallista.com/resources#ReadyToShip for the complete list of Ready-to-Ship products and finishes
- High-quality solid metal construction for durability and reliability
- Spout reach is 5-1/2" (140 mm)
- Widespread sink faucet for 8" – 16" (203 – 406 mm) centers
- Includes drain and lift rod
- 1.2 gpm (4.5 lpm) maximum flow rate
- Aerated flow



Recommended Products/Accessories

P74241-WO Under-mount Sink, Soft Oval with Overflow, Glazed
P25057-CMB Sink faucet, arch spout, Black Porcelain knob handles
P25041-00 Towel Bar, 24"
P25046-00 Hook



ADA **CSA B651** **OBC**

Codes/Standards

ASME A112.18.1/CSA B125.1
NSF/ANSI/CAN 61
NSF/ANSI/CAN 372
DOE - Energy Policy Act 1992
EPA WaterSense®
California Energy Commission (CEC)
ADA
ICC/ANSI A117.1
CSA B651
OBC
NOM Standards
NOM 012-CONAGUA

KALLISTA® Five-Year Limited Warranty

See website for detailed warranty information.

Available Colors/Finishes

Color tiles intended for reference only.

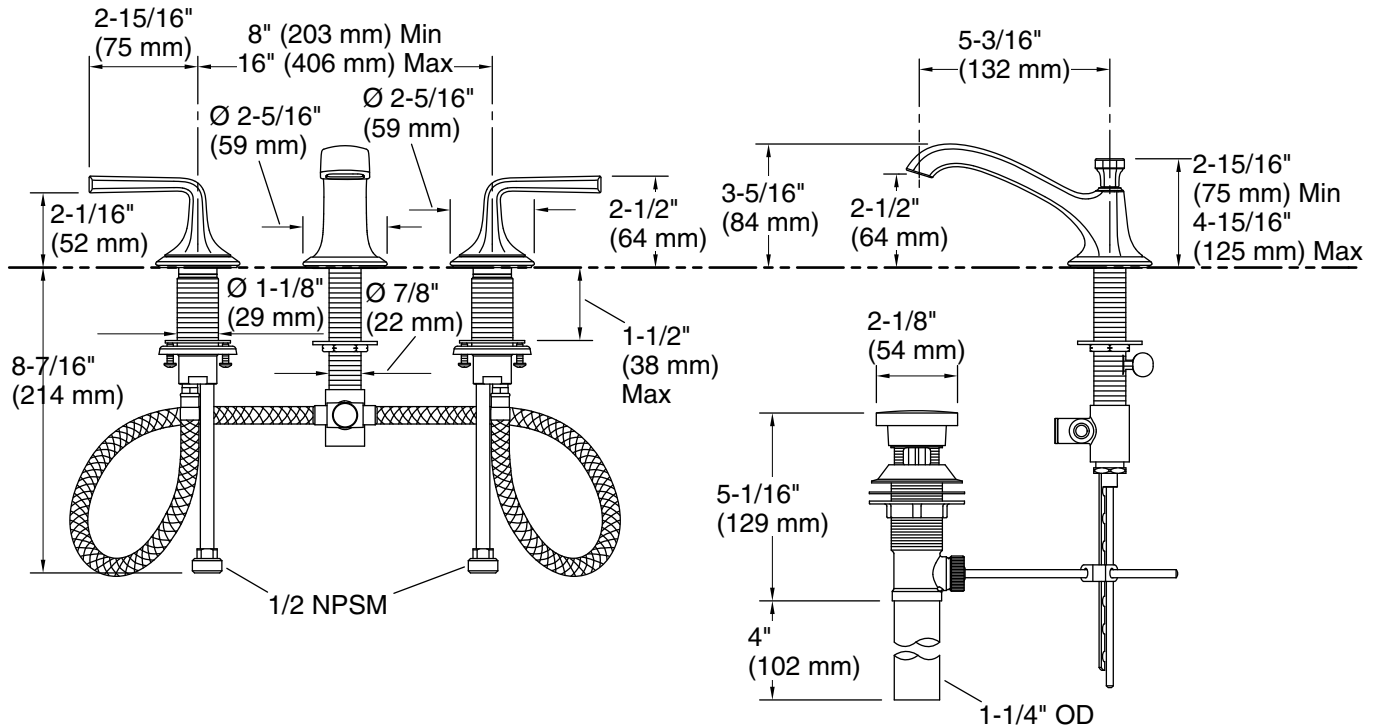
Color	Code	Description
	CP	Polished Chrome
	BAF	Brushed French Gold
	BN	Brushed Nickel
	BV	Brushed Bronze
	SN	Polished Nickel

1-888-4-KALLISTA (1-888-452-5547)

Kallista reserves the right to make revisions without notice to product specifications.

For the most current Specification Sheet, go to www.kallista.com.

1-26-2026 21:03 - US/CA



Technical Information

All product dimensions are nominal.

Faucet flow rate: 1.2 gal/min (4.5 l/min)

Drain included: Yes

Drain with overflow: Yes

Spout:

Spout reach: 5-3/16" (131 mm)

Notes

ADA, OBC, CSA B651 compliant when installed to the specific requirements of these regulations.