

I PORT CONNECT

CASE



72380 - CONNECT CASE mini A17

72381 - CONNECT CASE Air 11 in (M2)

72382 - CONNECT CASE Air 13 in (M2)

72383 - CONNECT CASE 10.2

72396 - CONNECT CASE 10.9

CASE

I PORT CONNECT Case Install Manual

Thank you for purchasing the all new IPORT CONNECT Platform. We hope you enjoy this revolutionary new system and if at any time you need more assistance please contact IPORT Tech Support via Online chat or through our help desk.

- IPORT Team

Whats in box:

- 1 - IPORT CONNECT Case
- 1 - IPORT Security tool - 1.5mm hex key
- 1 - Info Card
- 1- Fit Pad Installation card and Pads*

Glossary of Terms:

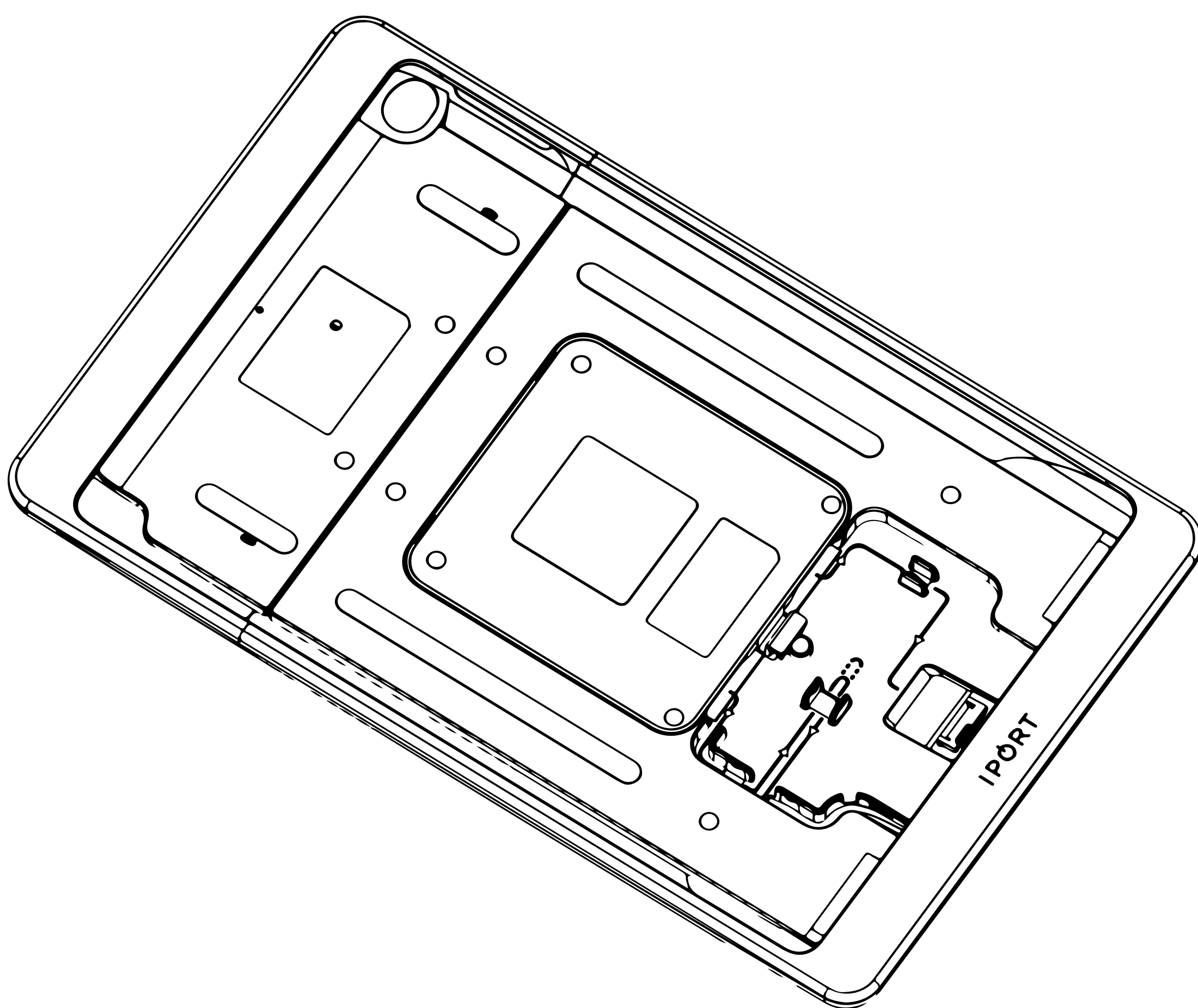
- **Case** - The fully assembled CONNECT Case Top and Bottom.
- **Case Top** - The short removable portion of the chase including the locking portion of the Case.
- **I PORT Security Tool** - The orange handled 1.5mm hex tool used for locking and unlocking IPORT Products.
- **Station Interface Module** - The main electronics portion of the new IPORT CONNECT PRO Platform consisting of the round electronic components found only on PRO Cases.
- **Dock Interface Module** - The secondary linear electronics found on the IPORT CONNECT

* included only in 12.9" Cases

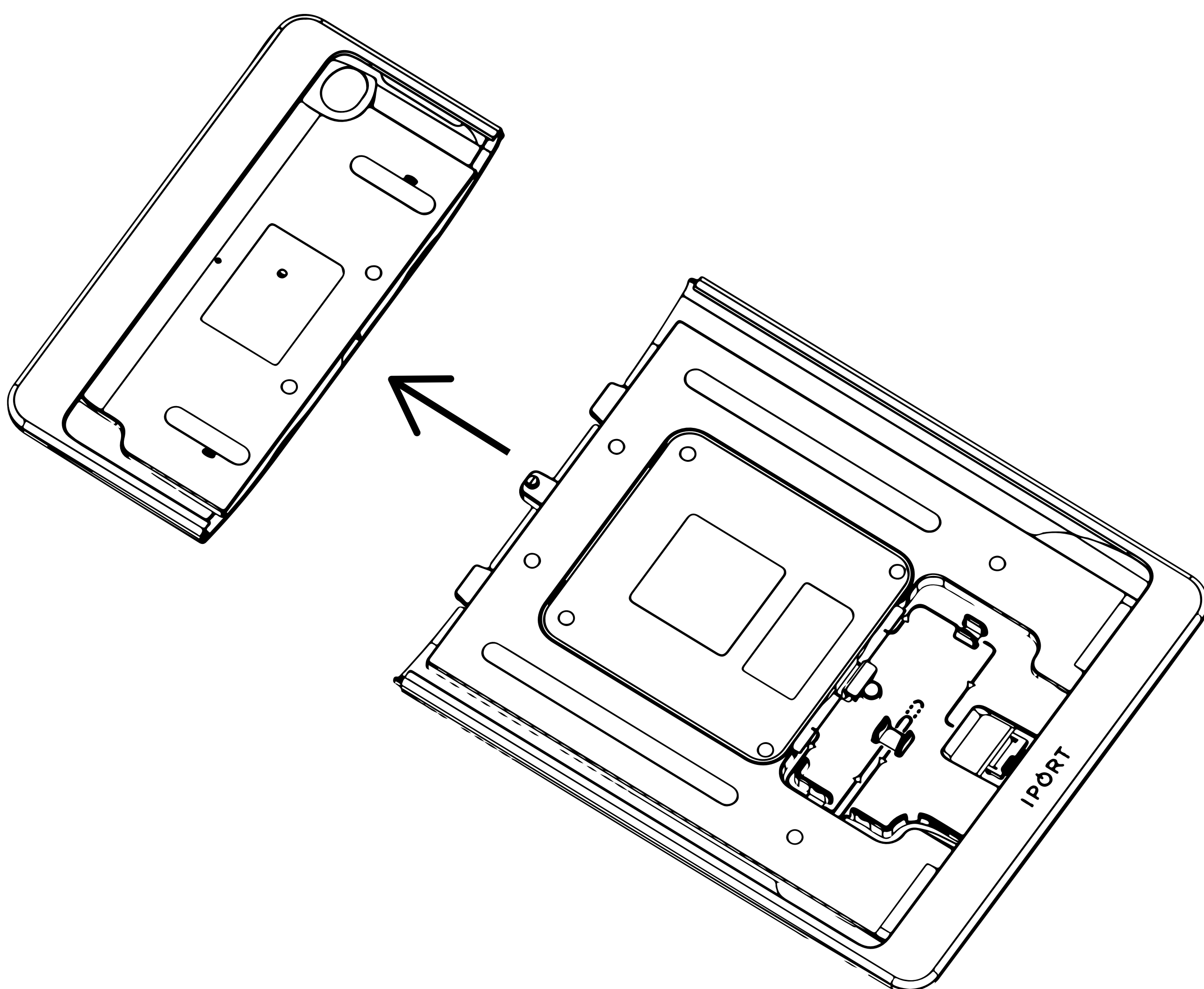
I PORT CONNECT

CASE

- 1. Remove Case from the box and place on a table.**



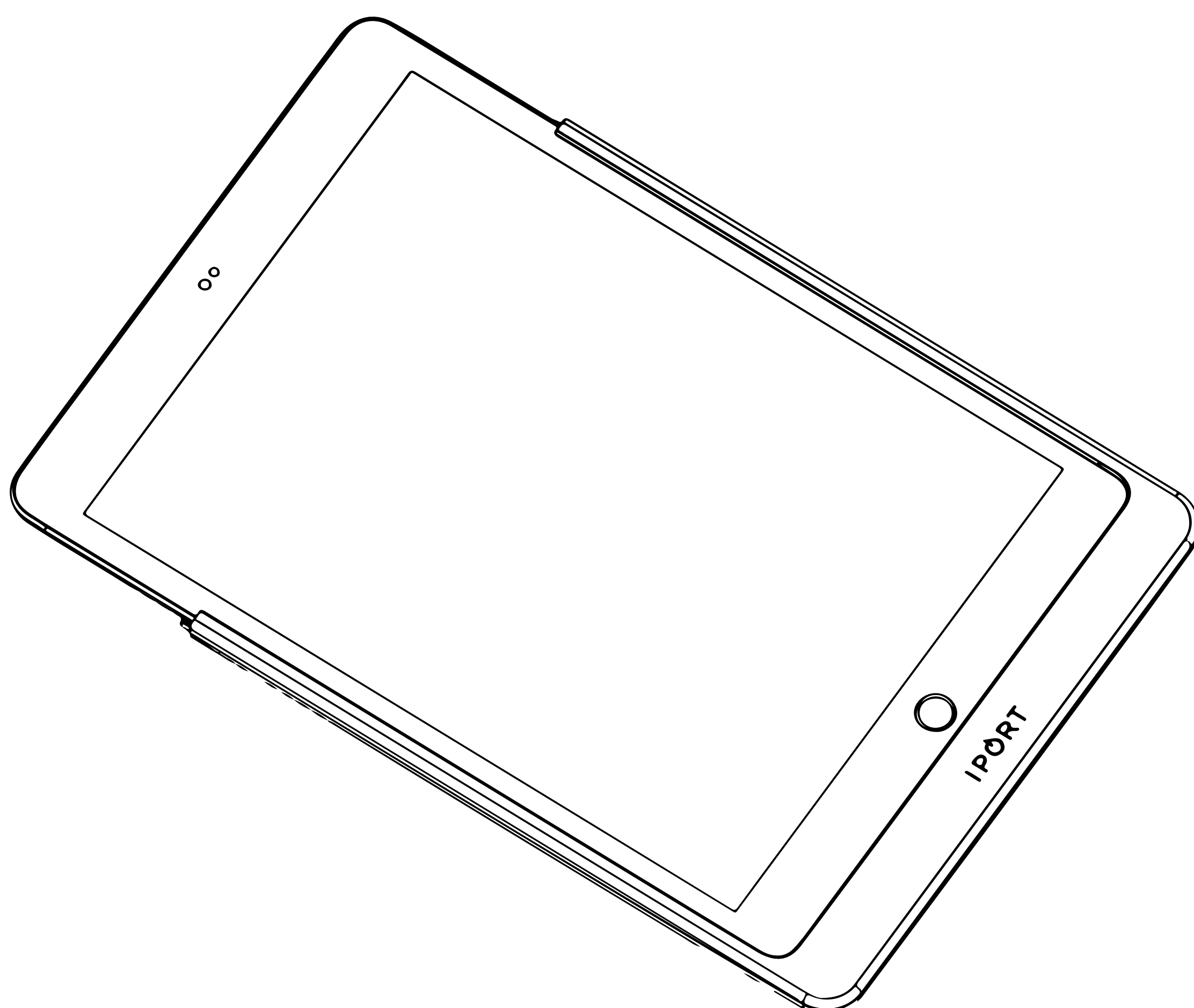
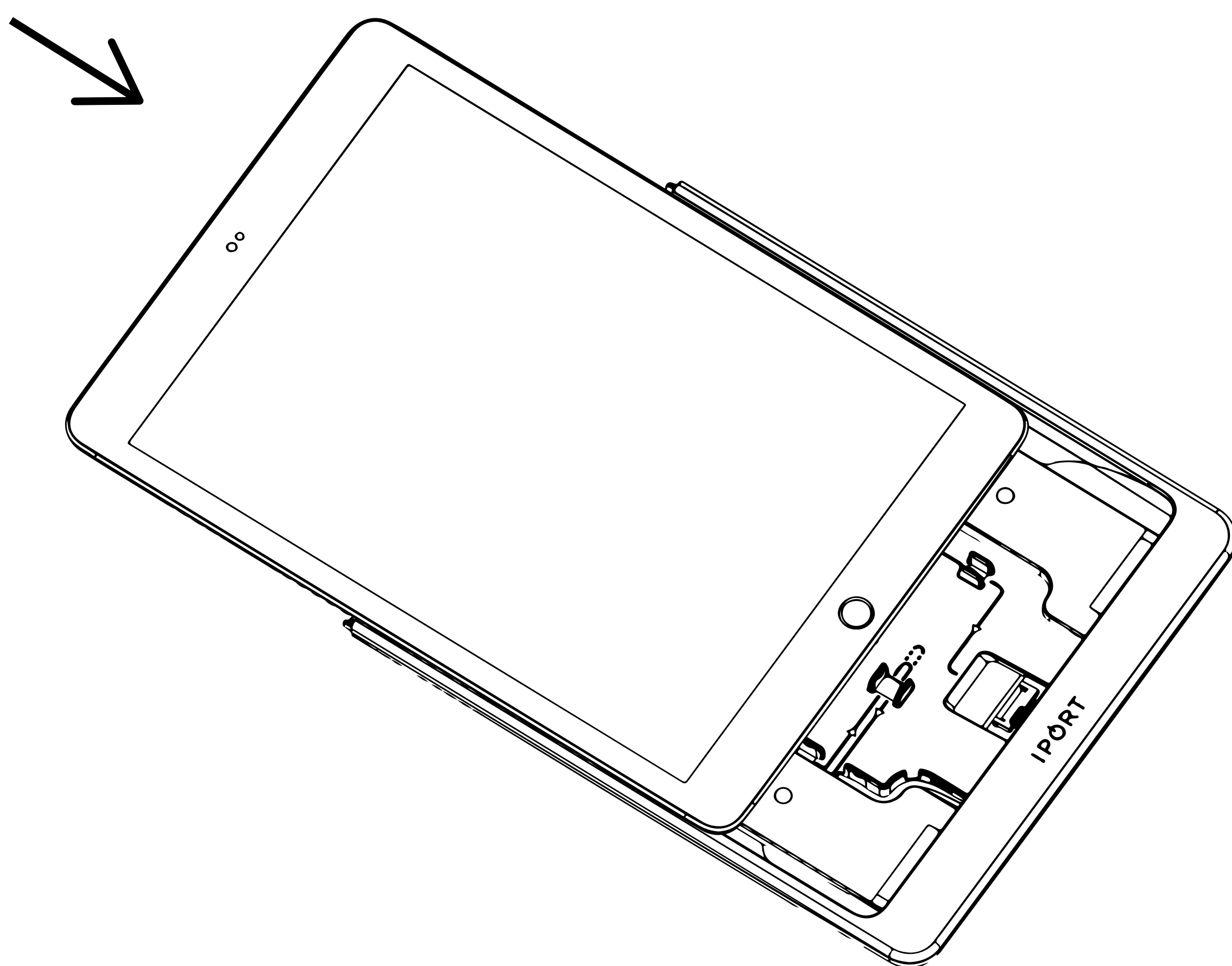
- 2. Remove the short Case Top.**



I PORT CONNECT

CASE

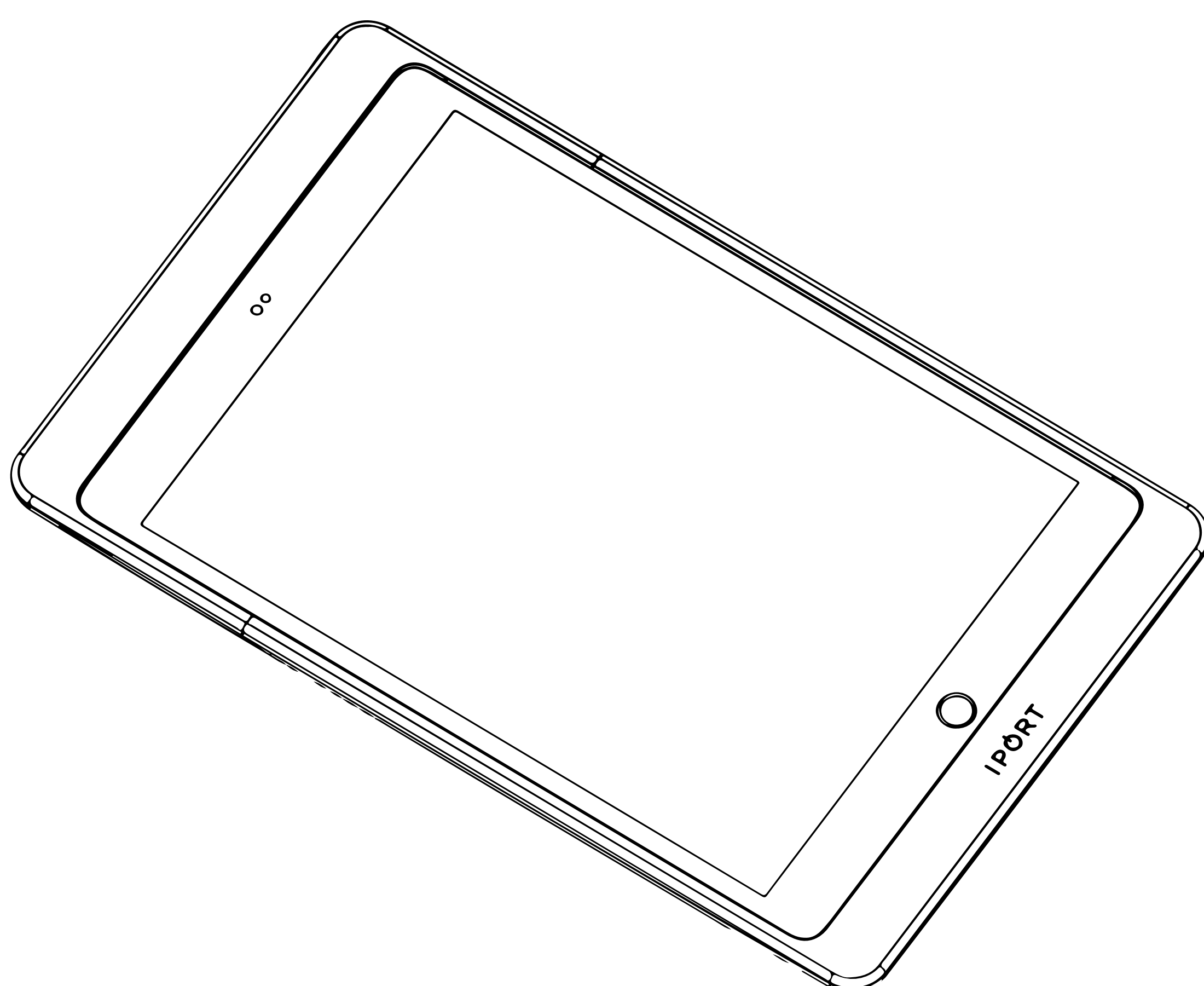
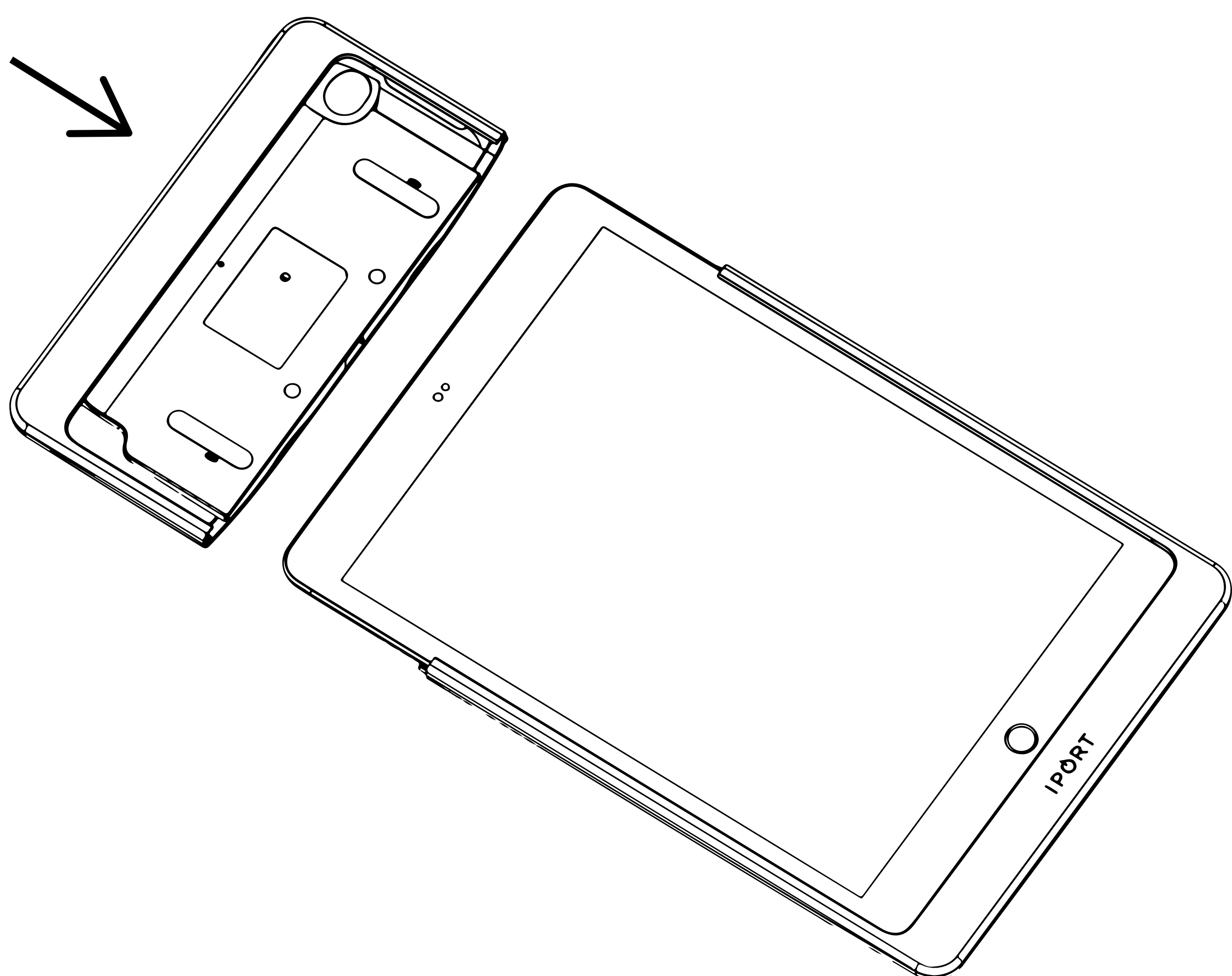
- 3. Slide iPad into the Case making sure the Lightning or USB-C connection is snugly inserted into the iPad.**



I PORT CONNECT

CASE

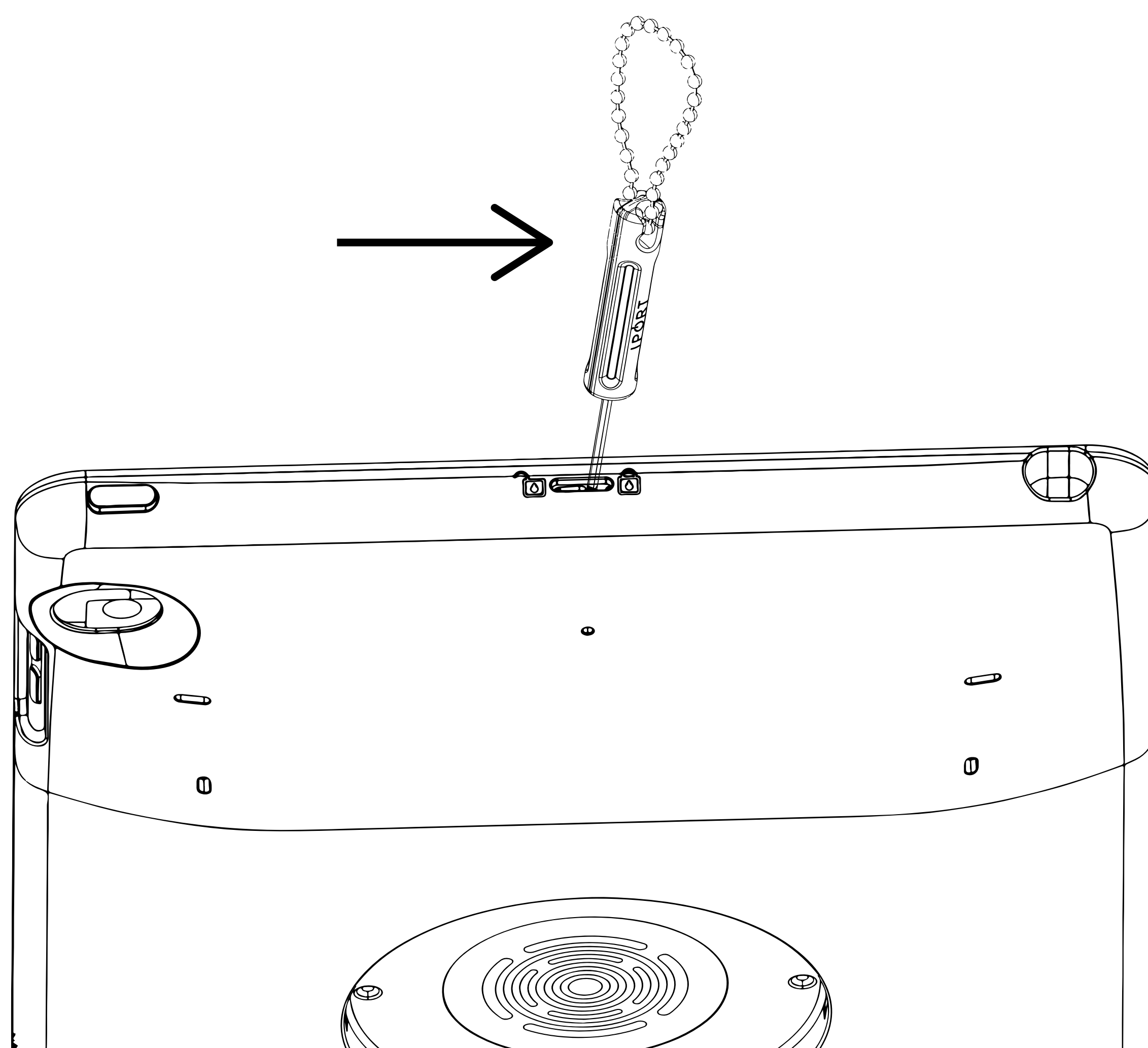
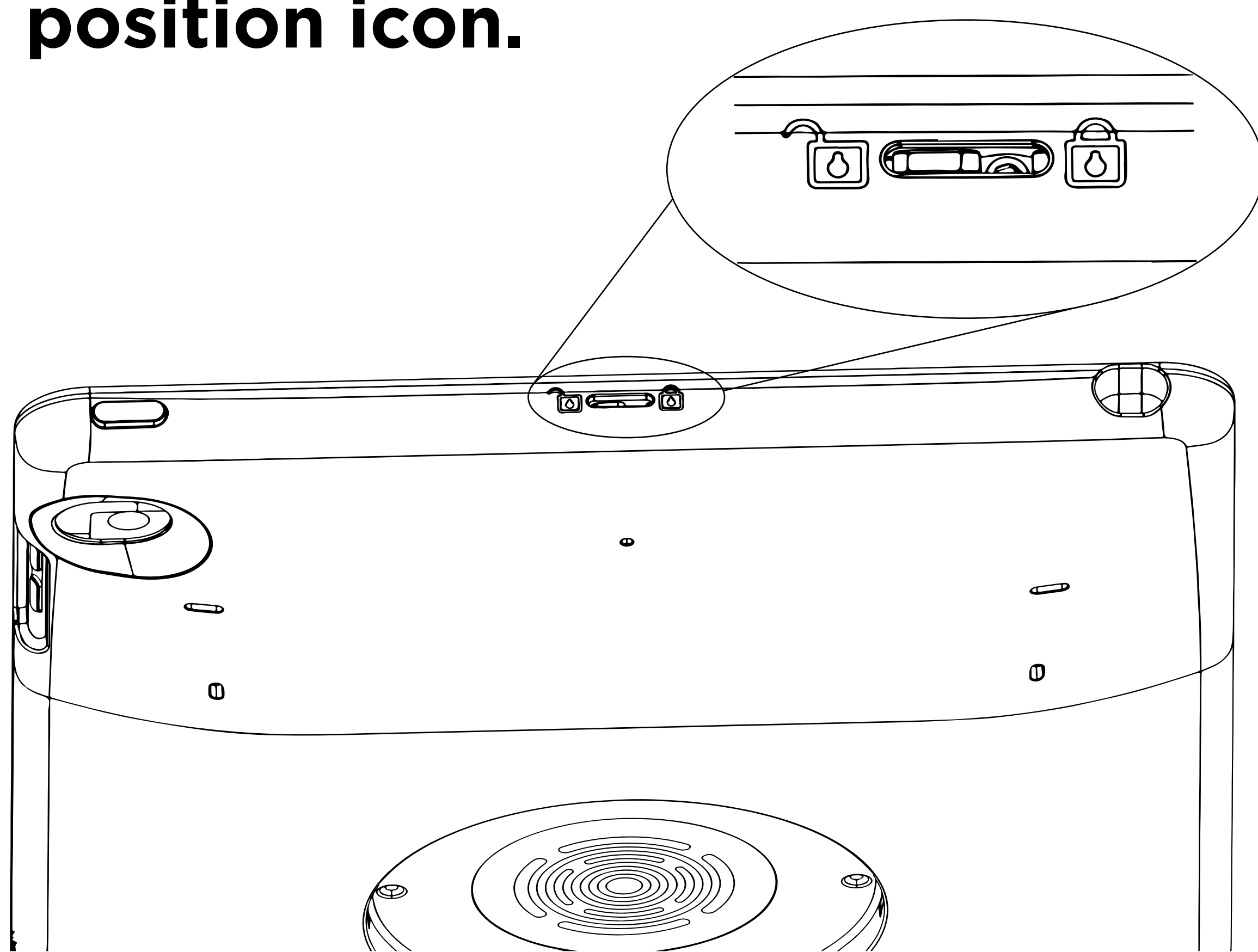
- 4. Reinstall the Case top onto the lower half of the Case and iPad.**



I PORT CONNECT

CASE

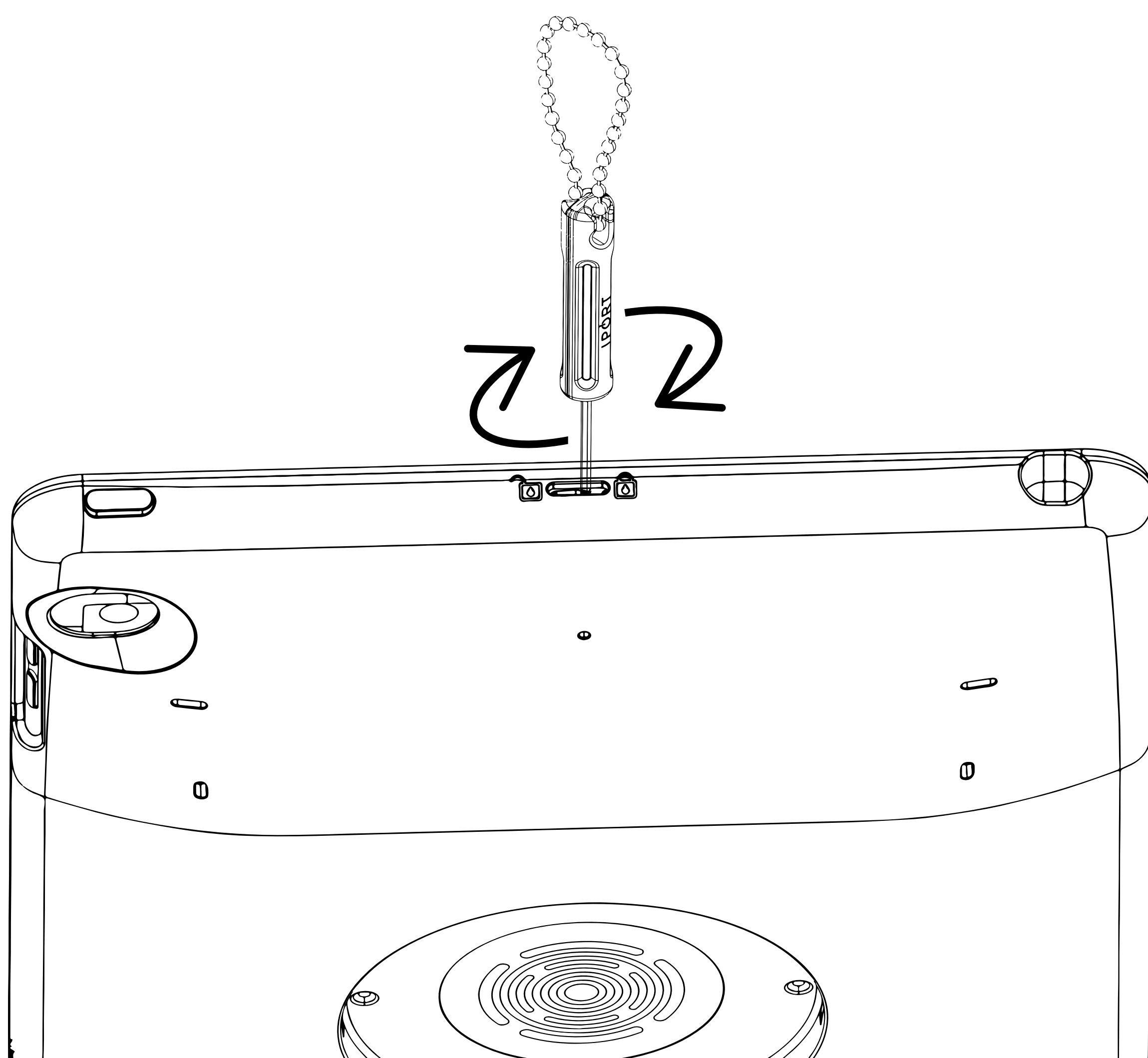
- 5. Use the provided IPORT tool, insert the tool into the top of the case and slide the tool towards the lock position icon.**



I PORT CONNECT

CASE

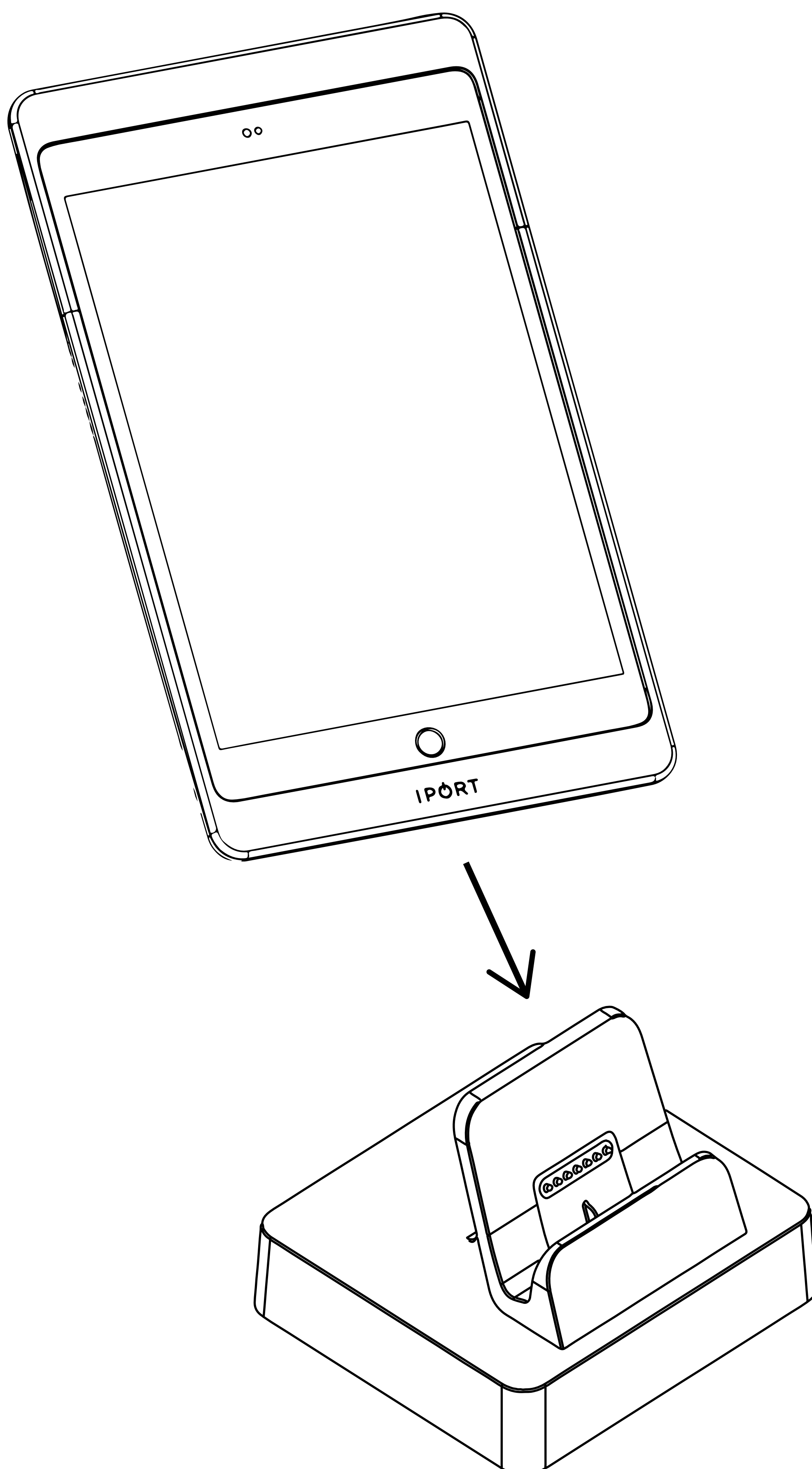
- **For added security rotate the IPORT tool clockwise to tighten the setscrew in place holding the lock secure.**



I PORT CONNECT

CASE

- 6. Place the IPORT CONNECT Case onto a Dock or MultiDock to initiate charging.**

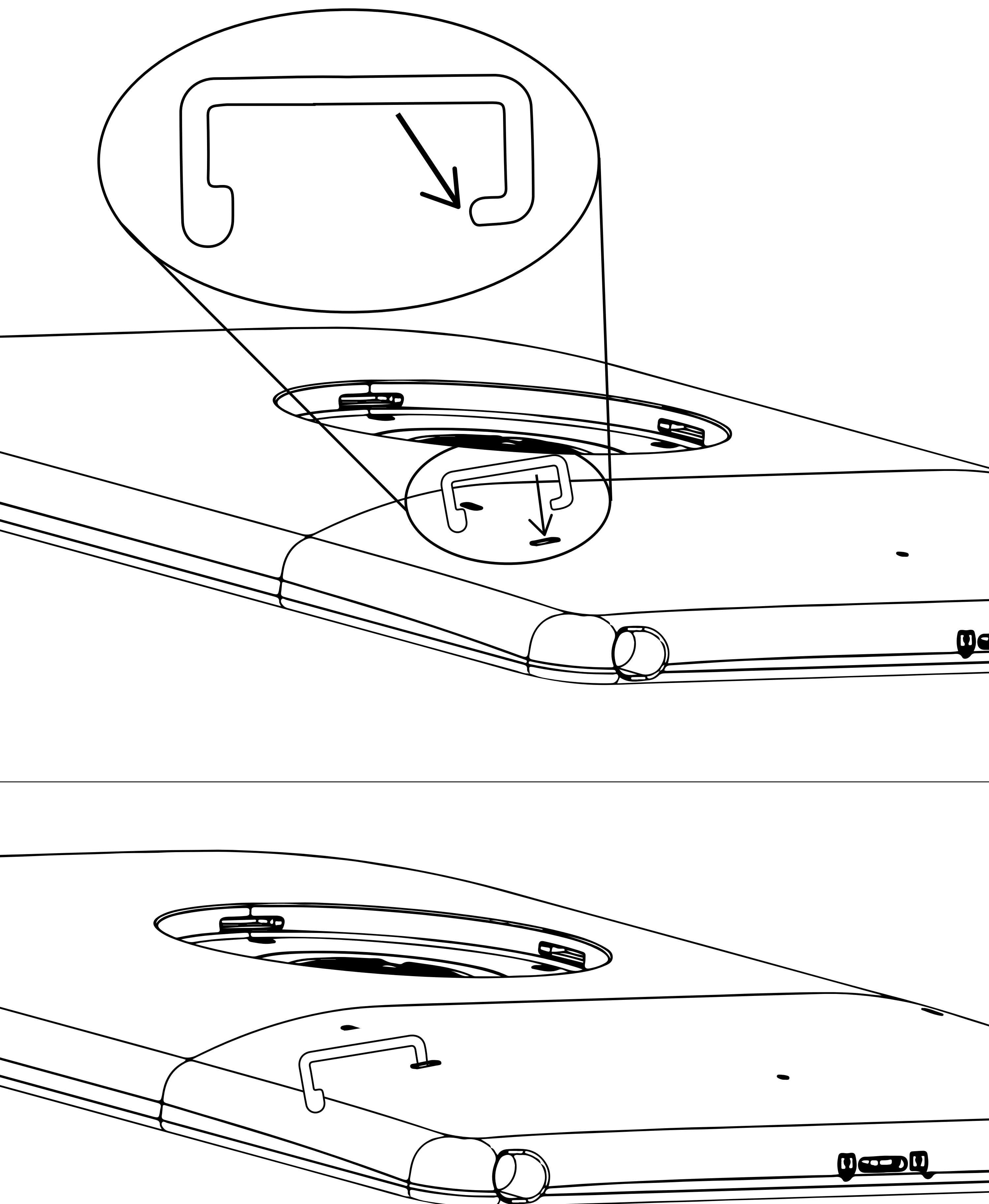


I PORT CONNECT

CASE

Hand Strap Install - (sold separate)

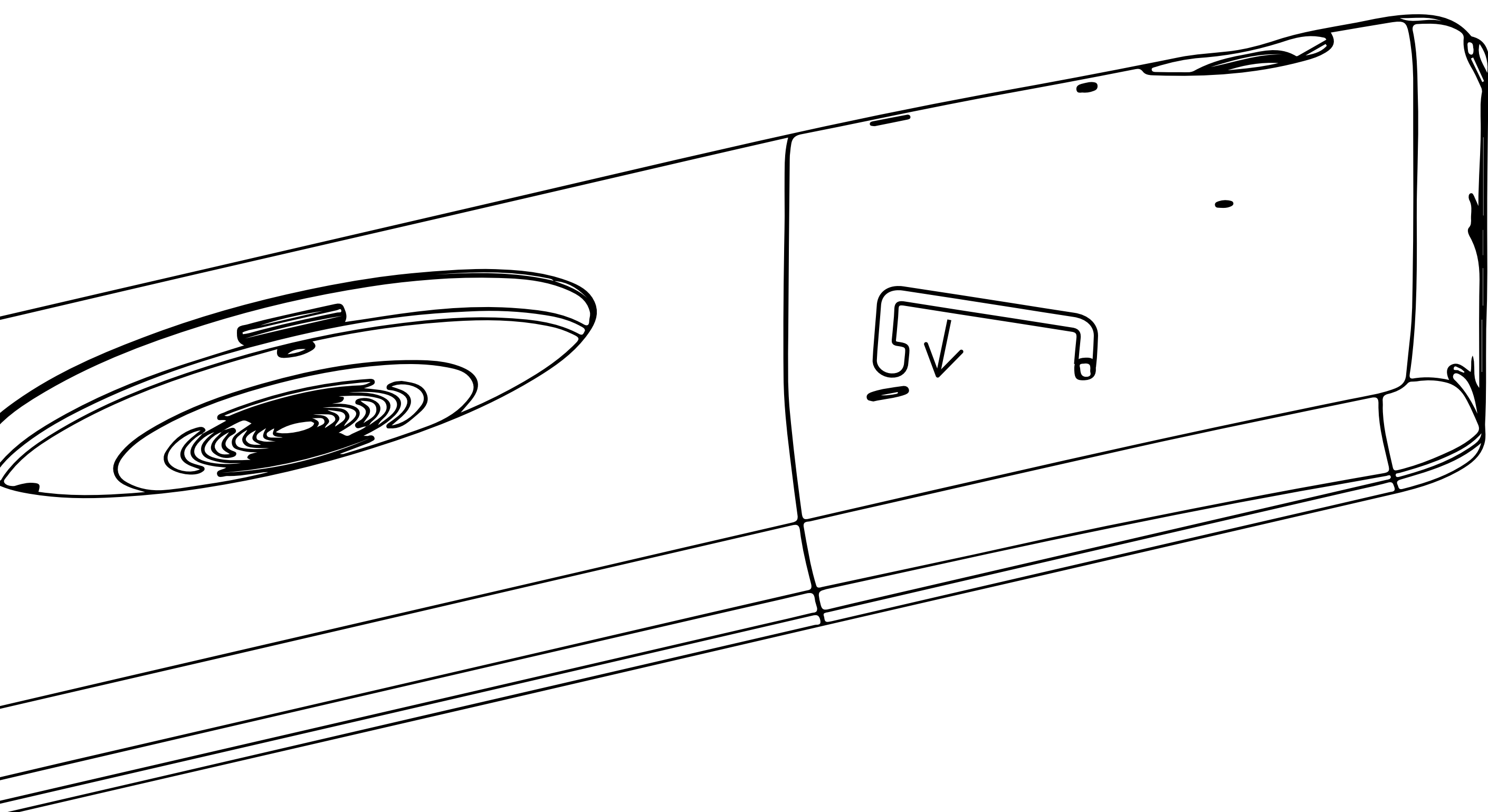
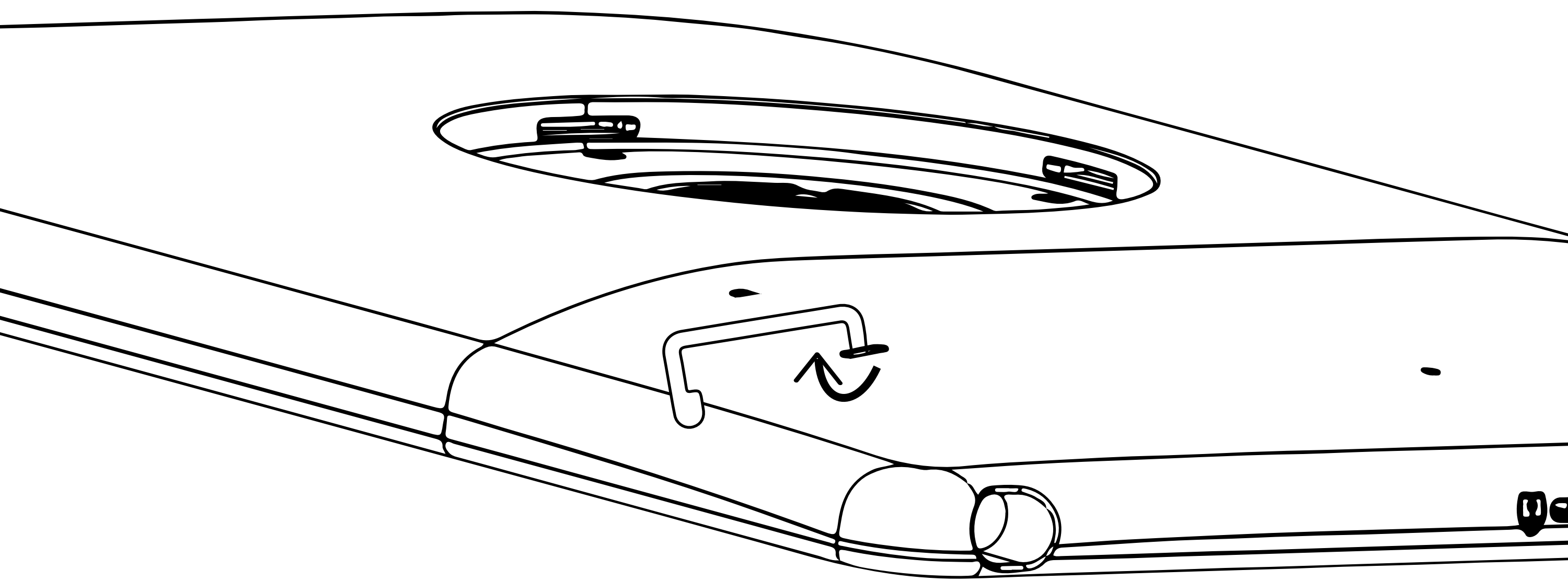
- 1. Insert the metal strap loops with the flat end pointing towards the left or right side of the case.**



I PORT CONNECT

CASE

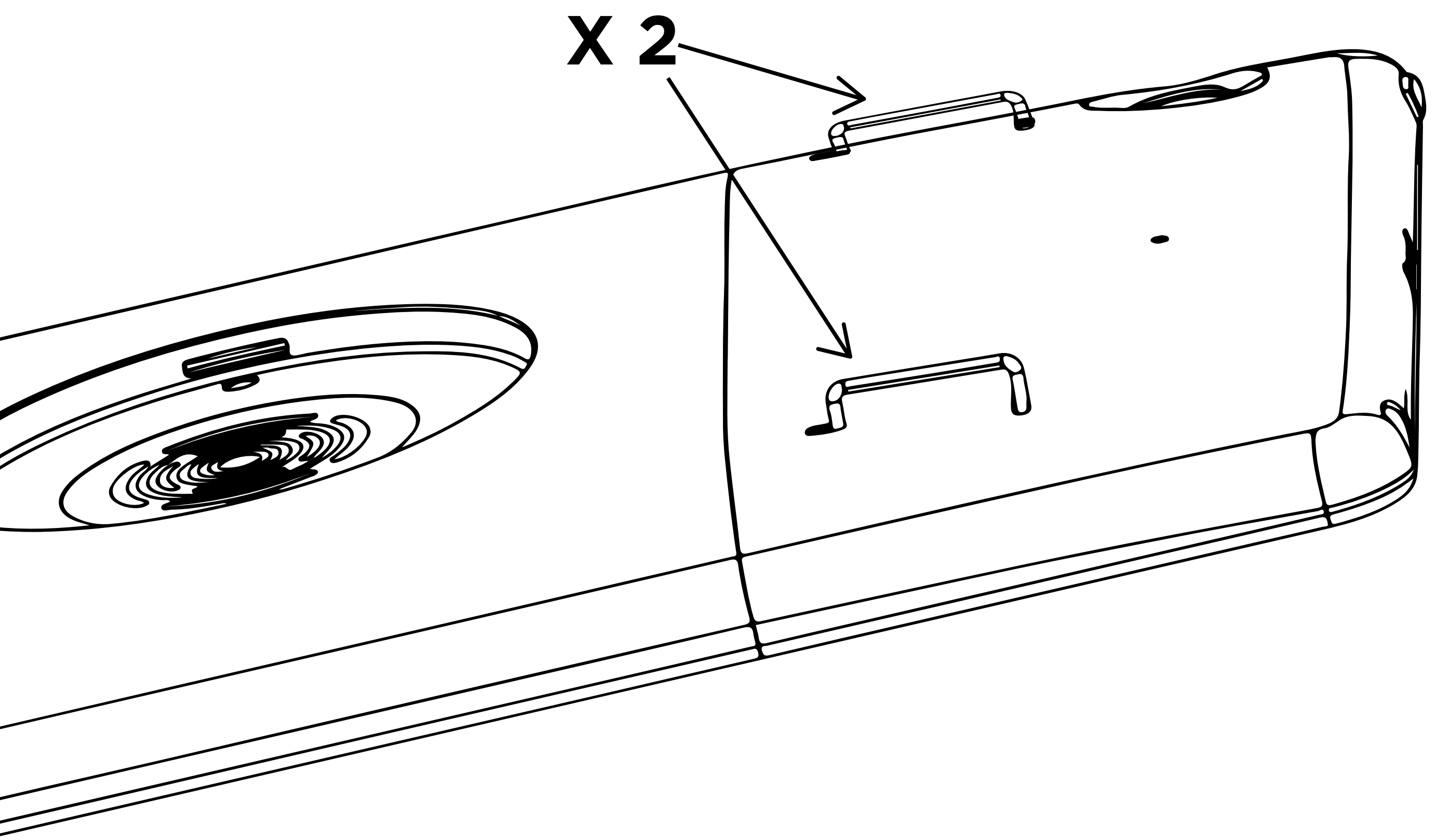
- 2. Rotate the strap clip towards the bottom of the Case and insert into the hole until the strap clip snaps into place.**



I PORT CONNECT

CASE

3. Repeat for the second clip.



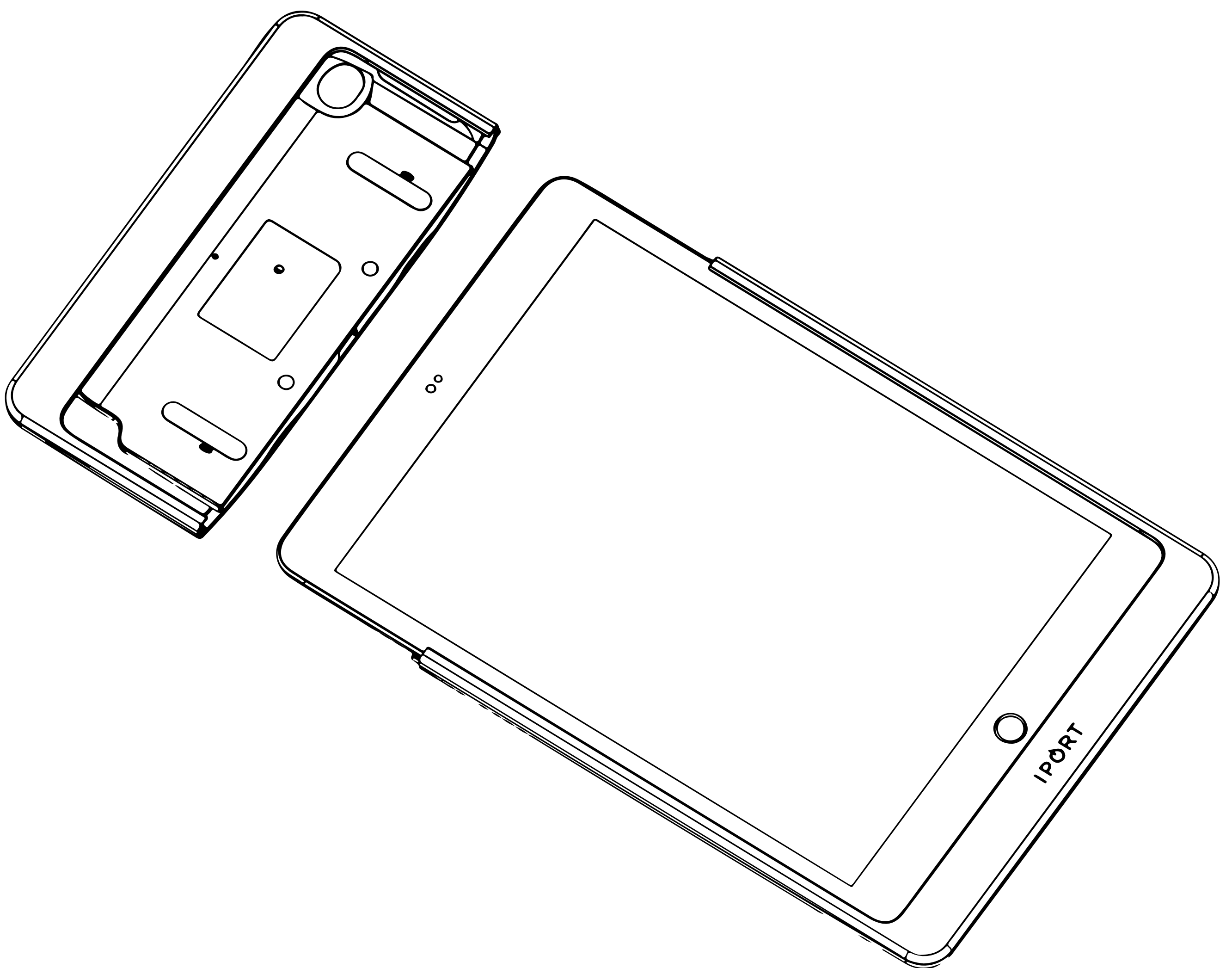
4. Insert the IPORT CONNECT Hand Strap under both strap loops with the Velcro facing out from the case, fold over the Hand Strap and attach to the Velcro. Adjust hand strap to a snug but comfortable fit around the top of your hand.

- **NOTE Case Top and Bottom MUST be locked together to properly secure the iPad and CONNECT Case together.**

CASE

Hand Strap Removal

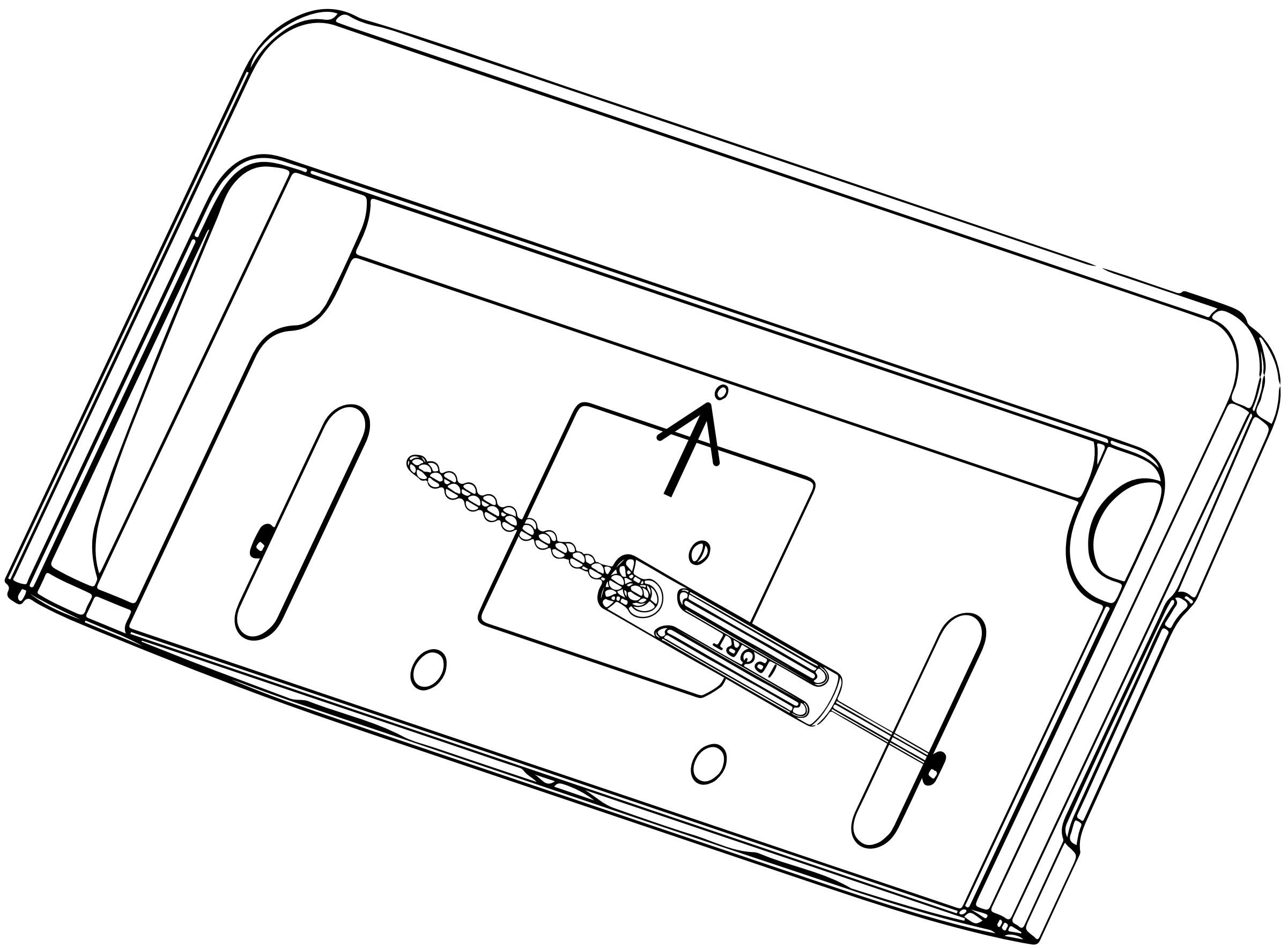
- 1. Unlock the CONNECT Case Top from the Case Bottom. See step 5 of installing the Case.**
- 2. Remove the Case Top from the Case Bottom.**



I PORT CONNECT

CASE

- 3. On the inside of the Case Top, locate the small oval hole and insert the IPORT CONNECT Security tool. Pivot the IPORT Security tool toward the top of the Case Top freeing the Strap loop. Rotate the Strap loop 90 degrees left or right to remove the Strap Loop from the Case Top.**



- 4. Repeat for the second strap loop.**