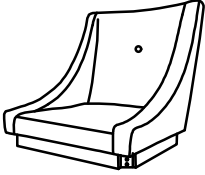


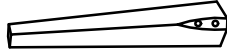
ASSEMBLY INSTRUCTION

CURVED ARM DINING CHAIR

A Chair Body **B** Front Leg **C** Left Back Leg **D** Right Back Leg



1pc



2pcs



1pc



1pc

E Lock Washer
Ø5/16"x13mm



8pcs

F Flat Washer
Ø5/16"x19mm



8pcs

G Bolt
Ø5/16"x2-1/4"

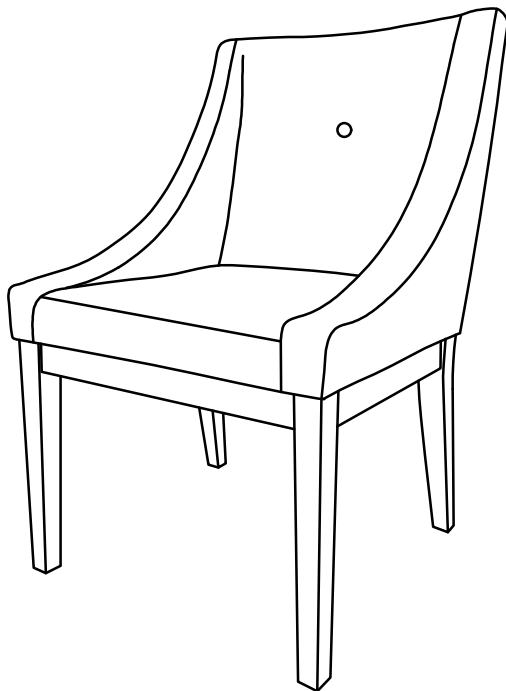


8pcs

H Allen Key
M5

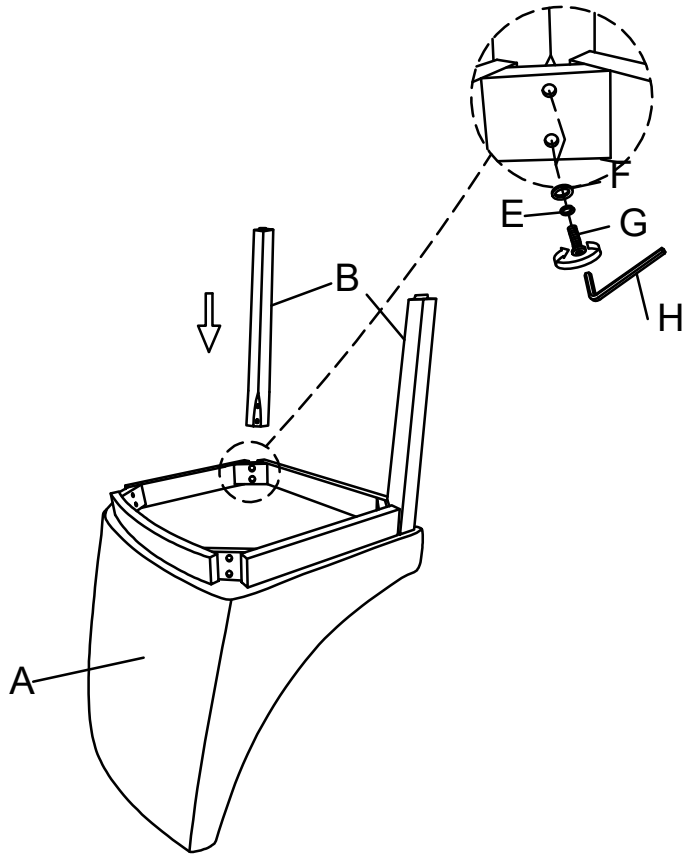


1pc



This page lists all the contents included in the box. Please take the time to identify the hardware as well as the individual components to this product. As you unpack and prepare for assembly, place the contents on a carpeted or padded area to protect them from damage.

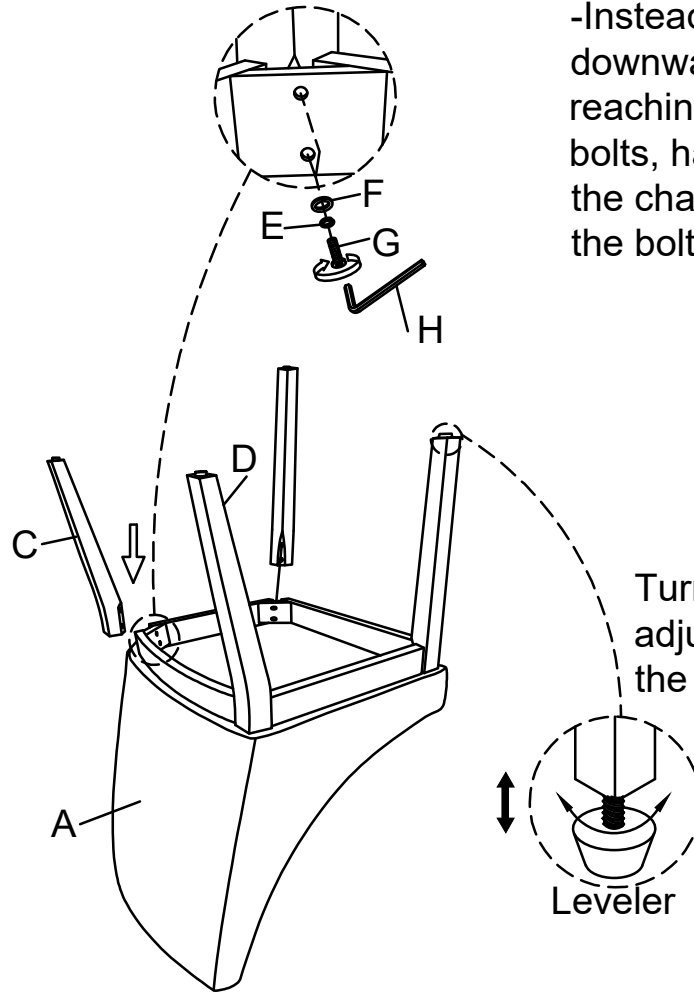
- 1 Put the Chair Body (A) on a smooth flat surface, attach Front Leg (B) to the Chair Body (A) using Bolt (G), Lock Washer (E) and Flat Washer (F) on both holes of Chair Body (A) by Allen Key (H). Turn the Allen Key (H) in Bolt (G). But not too tight.



Take the Allen Key, and turn the bolts until the legs are secure. **DO NOT TIGHTEN COMPLETELY.** Stop when you feel you are adding force to tighten the bolt.

2 Then attach the Left Back Leg (C) & Right Back Leg (D) to the Chair Body (A) using Bolt (G), Lock Washer (E), Flat Washer (F) in both holes of Left Back Leg (C) & Right Back Leg (D) and Chair Body (A). Turn the Allen Key (H) in Bolt (G).

Stand chair up on an even surface and check that it is balanced. If there is a slight wobble, apply downward pressure in the corner where a leg is uneven. Keeping pressure in that corner, tighten all bolts. If balanced, apply downward pressure evenly in the center and tighten all bolts. Do not over-tighten beyond hole depth.



Helpful Tip:
-Instead of applying downward pressure while reaching under to tighten bolts, have someone sit in the chair while you tighten the bolts.

Turn left or turn right to adjust the leveler until the chair is stabilized.

Cleaning & Care

Treat surface with care. Surface is resistant to scratches but is not scratch resistant. Clean surfaces with a dry or damp soft cloth. Do not use abrasive cleaners. Hardware may loosen over time. Periodically check that all connections are tight.