



# 16362-HGT

## Item Description

Decora Plus Duplex Receptacle Outlet, Extra Heavy-Duty Hospital Grade, Smooth Face, 20 Amp, 125 Volt, Back or Side Wire, NEMA 5-20R, 2-Pole, 3-Wire, Self-Grounding - Light Almond

## Technical Information

### AC Horsepower Ratings

**At Rated Voltage:** 1 HP

### Electrical Specifications

**Current Limiting:** Full Rated Current

**Dielectric Voltage:** Withstands 2000V per UL498

**Temperature Rise:** Max 30C after 250 cycles OL at 200 percent rated current

**Amperage:** 20 Amp

**Grounding:** Self-Grounding

**Pole:** 2-Pole

**Voltage:** 125 Volt

**Wire:** 3-Wire

### Environmental Specifications

**Flammability:** Rated V-2 per UL94

**Operating Temperature:** -40C to 60C

### Material Specifications

**Body Material:** Nylon

**Clamp Nuts:** Zinc-Plated Steel

**Face Material:** Nylon

**Ground Clips:** Brass-Plated

**Grounding Screw:** Brass 8-32

**Line Contacts:** Brass Triple-Wipe  
0.040" Thick

**Terminal Screws:** Brass 10-32

**Yoke:** Zinc-Plated Steel

### Mechanical Specifications

**Product ID:** Ratings are permanently marked on device

**Terminal Accom.:** 14-10 AWG

**Terminal ID:** Brass-Hot, Green-Ground, White-Neutral

**Termination:** Back or Side Wire

### Product Features

**Brand:** Decora Plus

**Amperage:** 20 Amp

**Body Material:** Nylon

**Color:** Light Almond

**Device Type:** Duplex Receptacle Outlet

**Face Material:** Nylon

**Grade:** Extra Heavy-Duty Hospital Grade

**Grounding:** Self-Grounding

**NEMA:** 5-20R

**Pole:** 2-Pole

**Standards and Certifications:** UL/CSA

**Strap Material:** Steel

**Termination:** Back or Side Wire

**Voltage:** 125 Volt

**Warranty:** 10 Year Limited

**Wire:** 3-Wire

**Feature 4:** Smooth Face

### Standards and Certifications

**ANSI:** C-73

**CSA C22.2 No. 42:** File 152105

**NEMA:** WD-6

**NOM:** 057

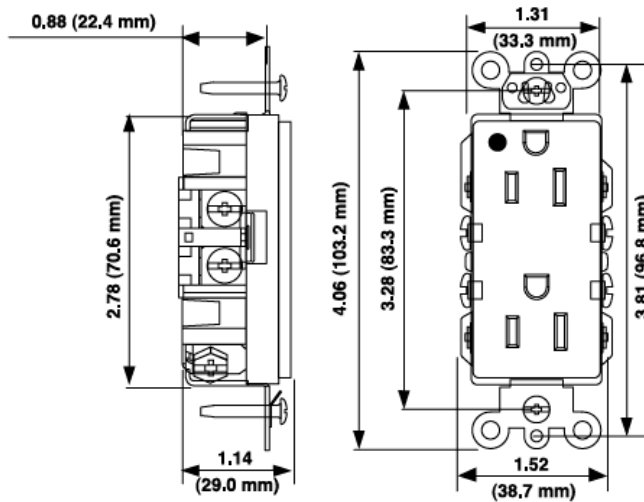
**UL498HG:** File E13399

**Color:** N/A Light Almond

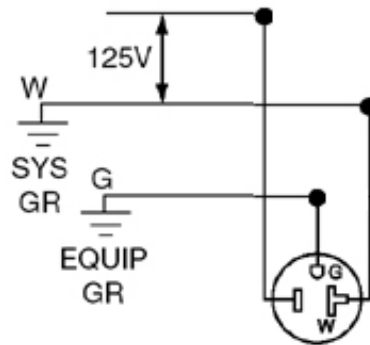
**UPC Code:** 07847742511

**NEMA:**  
5-20R





### Wiring Diagram



5-20R

### SPECIFICATION SUBMITTAL

JOB NAME:	CATALOG NUMBERS:	
<input type="text"/>	<input type="text"/>	<input type="text"/>
JOB NUMBER:	<input type="text"/>	<input type="text"/>

#### Leviton Manufacturing Co., Inc.

201 North Service Road, Melville, NY 11747

Teléfono: +1-800-323-8920 · FAX: +1-800-832-9538 · Tech Line (8:30AM-7:30PM E.S.T. Monday-Friday): +1-800-824-3005

#### Leviton Manufacturing of Canada, Ltd.

165 Hymus Boulevard, Pointe Claire, Quebec H9R 1E9 · Telephone: +1-800-469-7890 ·

FAX: +1-800-824-3005 · www.leviton.com/canada

#### Leviton S. de R.L. de C.V.

Lago Tana 43, Mexico DF, Mexico CP 11290 · Tel.: (+52)55-5082-1040 · FAX: (+52)5386-

1797 · www.leviton.com.mx

Visit our Website at: [www.leviton.com](http://www.leviton.com)

© 2018 Leviton Manufacturing Co., Inc. Todos los derechos reservados. Subject to change without notice.

#### Leviton has a global presence.

If you would like to know where your local Leviton office is located please go to:

[www.leviton.com/international/contacts/](http://www.leviton.com/international/contacts/)

