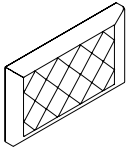
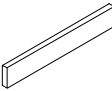


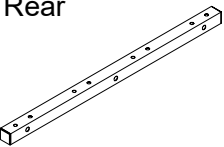
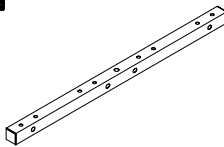
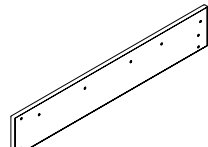
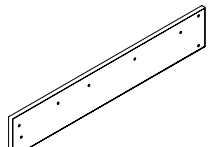

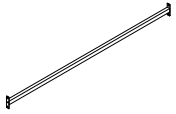
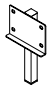
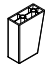
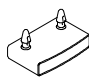

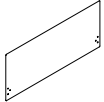

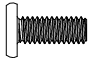


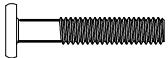
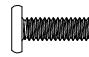


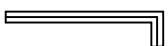
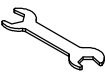
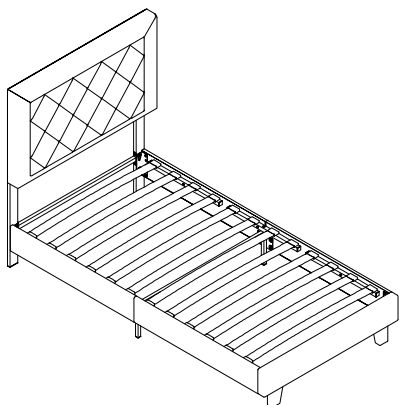


# ASSEMBLY INSTRUCTION

## PLATFORM TWIN BED

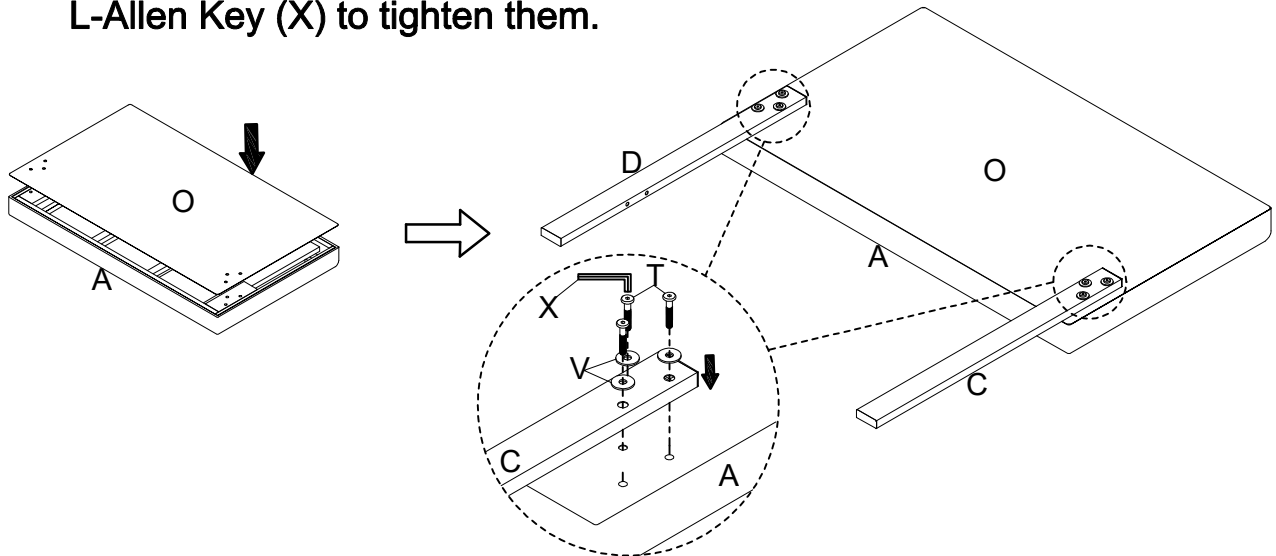
<b>A</b> Headboard 1PC 	<b>B</b> Footboard 1PC 	<b>C</b> Lsf Headboard Post 1PC 	<b>D</b> Rsf Headboard Post 1PC 
<b>E</b> Rail Cleat - Front / Rear 4PCS 	<b>F</b> Rail Cleat - Center 2PCS 	<b>G</b> Rail Section - Front 2PCS 	<b>H</b> Rail Section - Rear 2PCS 
<b>I</b> Center Support Bar 1PC 	<b>J</b> Headboard Support Bar 1PC 	<b>K</b> Rail Support Leg 2PCS 	<b>L</b> Leg 2PCS 
<b>M</b> Side Slat Connector 24PCS 	<b>N</b> Slat 12PCS 	<b>O</b> Fabric Cover 1PC 	<b>P</b> Bracket 150*40*40mm 4PCS 
<b>Q</b> Bolt 5/16"*19mm 12PCS 	<b>R</b> Bolt 1/4"*45mm 2PCS 	<b>S</b> Bolt 1/4"*40mm 20PCS 	<b>T</b> Bolt 5/16"*54mm 8PCS 
<b>U</b> Bolt 1/4"*19mm 16PCS 	<b>V</b> Washer Ø20*Ø8.5*2.0mm 22PCS 	<b>W</b> Nut 1/4" 2PCS 	<b>X</b> L-Allen Key 4mm 1PC 
<b>Y</b> Wrench 1/4" 1PC 			



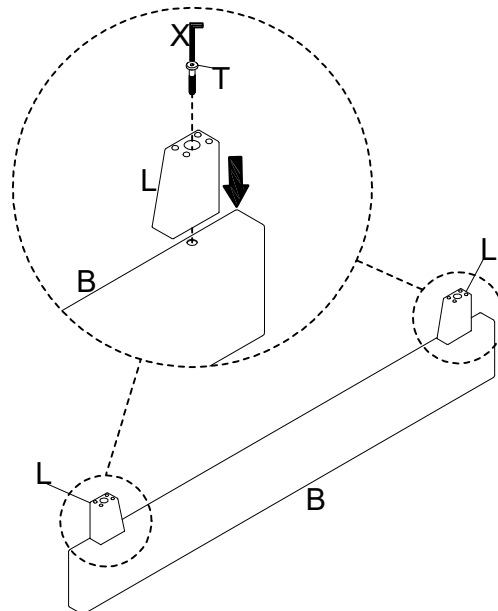
This page lists all the contents included in the box. Please take the time to identify the hardware as well as the individual components to this product. As you unpack and prepare for assembly, place the contents on a carpeted or padded area to protect them from damage.

**1**

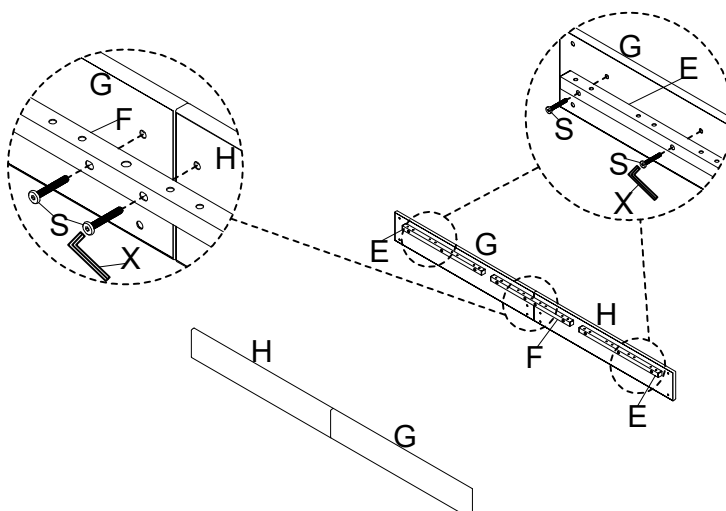
Cover the Fabric Cover (O) to the back of Headboard (A). Attach the Lsf Headboard Post (C) and Rsf Headboard Post (D) to Fabric Cover (O) and the Headboard (A), insert the Bolt (T) and the Washer (V), turn the L-Allen Key (X) to tighten them.

**2**

Attach Leg (L) to the Footboard (B), insert the Bolt (T), turn the L-Allen Key (X) to tighten them.

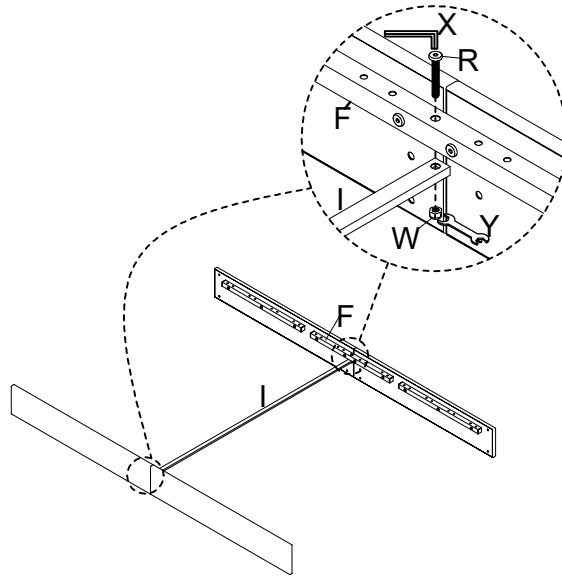
**3**

Attach the Rail Cleats (E) & (F) to the Rail Sections (G) & (H), insert the Bolt (S), turn the L-Allen Key (X) to tighten them.

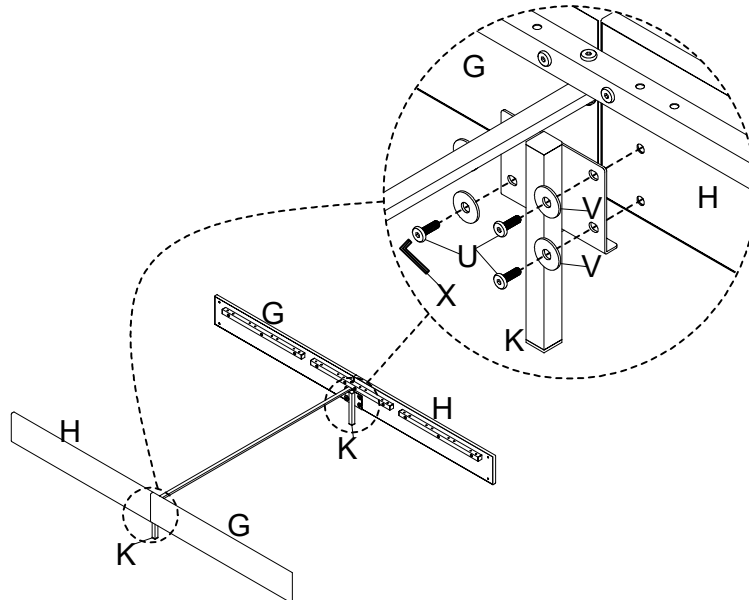


**4**

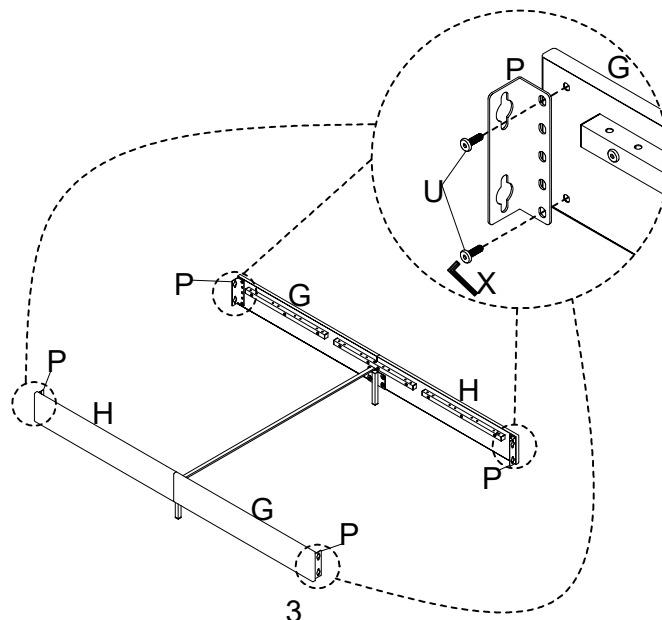
Attach the Center Support Bar (I) to the Rail Cleat - Center (F), insert the Bolt (R) and Nut (W), turn the L-Allen Key (X) and Wrench (Y) to tighten them.

**5**

Attach the Rail Support Leg (K) to the Rail Sections (G) & (H), insert the Bolt (U) and Washer (V), turn the L-Allen Key (X) to tighten them.

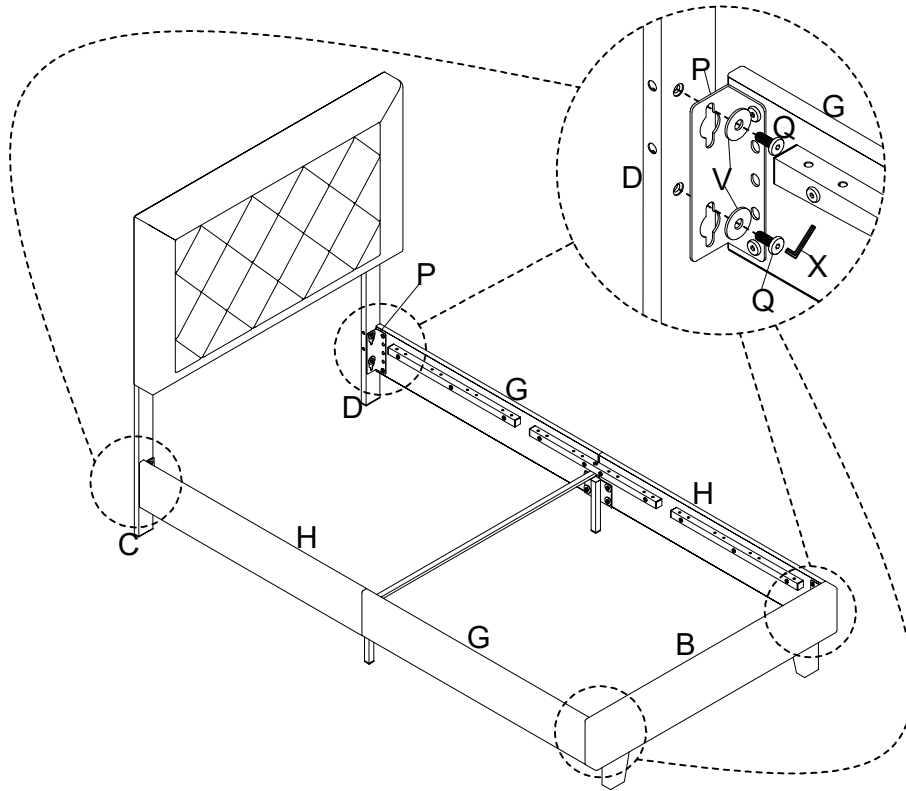
**6**

Attach the Bracket (P) to the Rail Sections (G) & (H), insert the Bolt (U), turn the L-Allen Key (X) to tighten them.

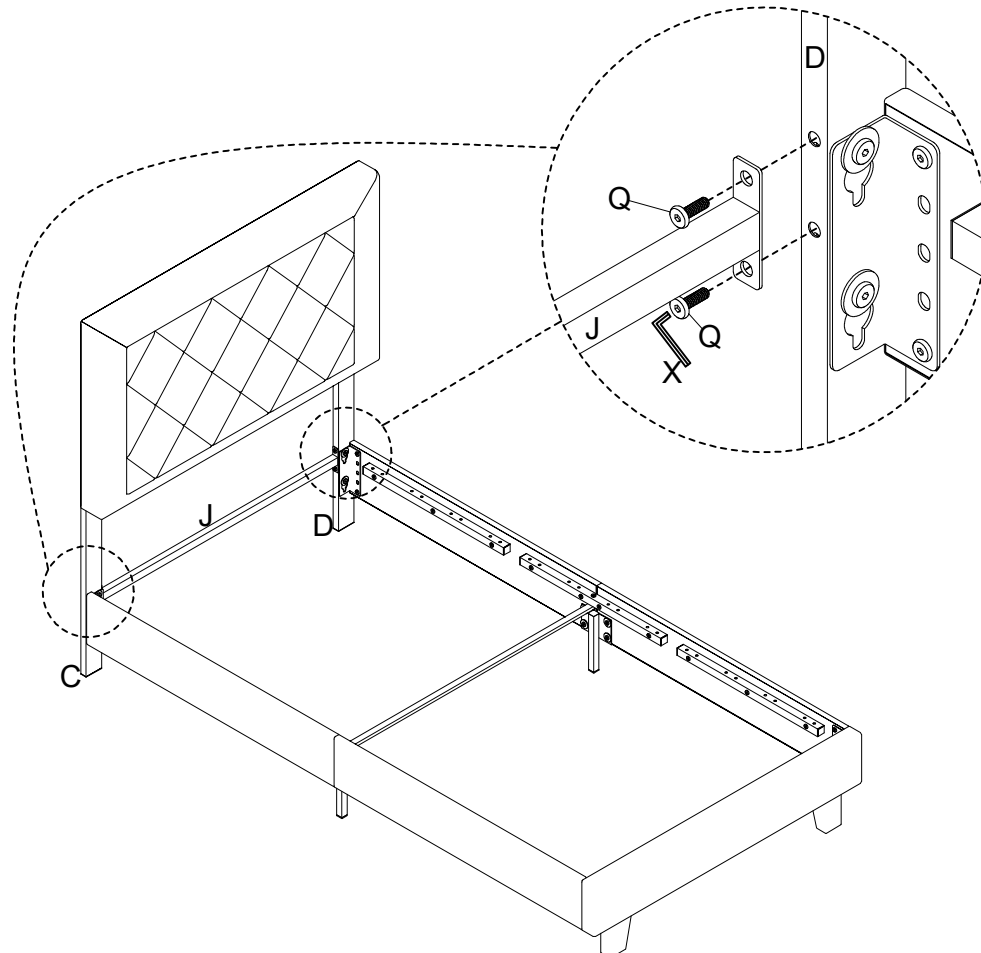


**7**

Attach the Bracket (P) to the Headboard Posts (C) & (D) and the Footboard (B), insert the Bolt (Q) and Washer (V), turn the L-Allen Key (X) to tighten them.

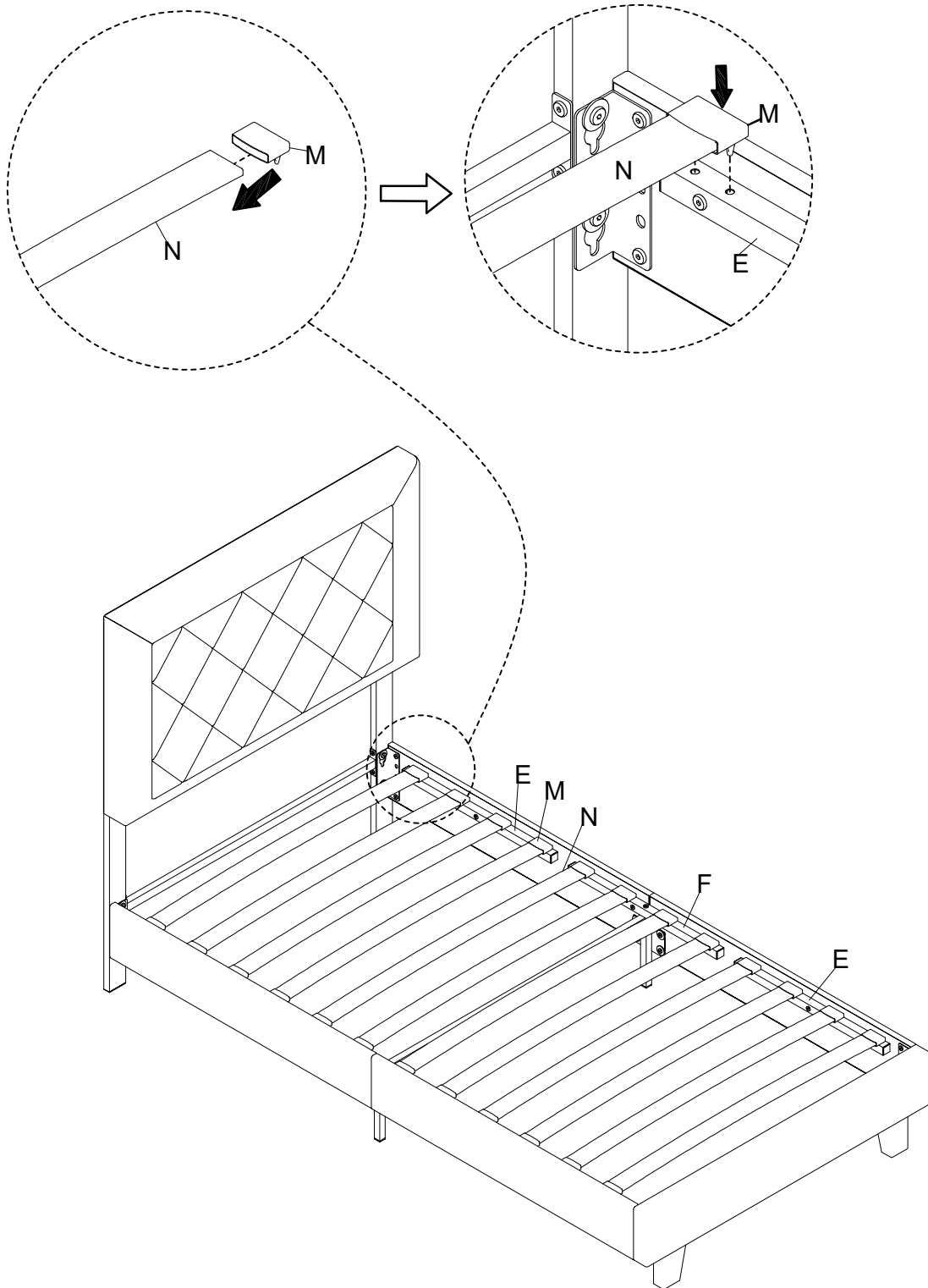
**8**

Attach the Headboard Support Bar (J) to the Headboard Posts (C) & (D), insert the Bolt (Q), turn the L-Allen Key (X) to tighten them.



**9**

Insert the Side Slat Connector (M) to the both sides of Slat (N). Press the Side Slat Connector (M) to the holes of Rail Cleats (E) & (F).



## Cleaning & Care

Treat surface with care. Surface is resistant to scratches but is not scratch resistant. Clean surfaces with a dry or damp soft cloth. Do not use abrasive cleaners. Hardware may loosen over time. Periodically check that all connections are tight.