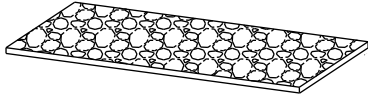


ASSEMBLY INSTRUCTION

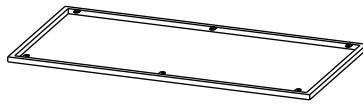
E817-05 SOFA TABLE WITH FAUX MARBLE TOP

A Wood Top



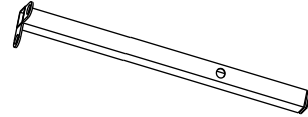
1pc

B Top Frame



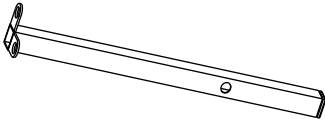
1pc

C Left Leg



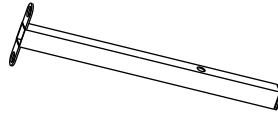
2pcs

D Right Leg



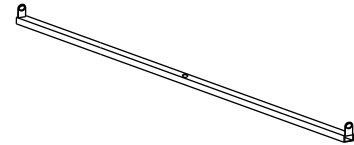
2pcs

E Middle Leg



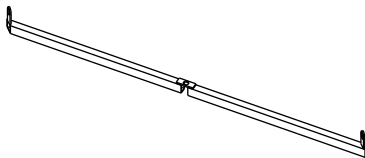
2pcs

F Upper Stretcher



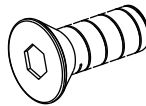
2pcs

G Under Stretcher



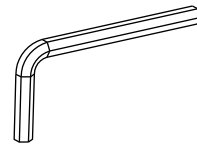
2pcs

H Bolt
1/4" x 1/2"

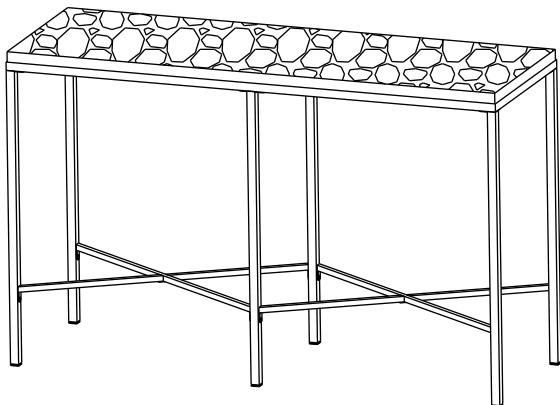


28pcs

I Allen Wrench
1/4"



1pc

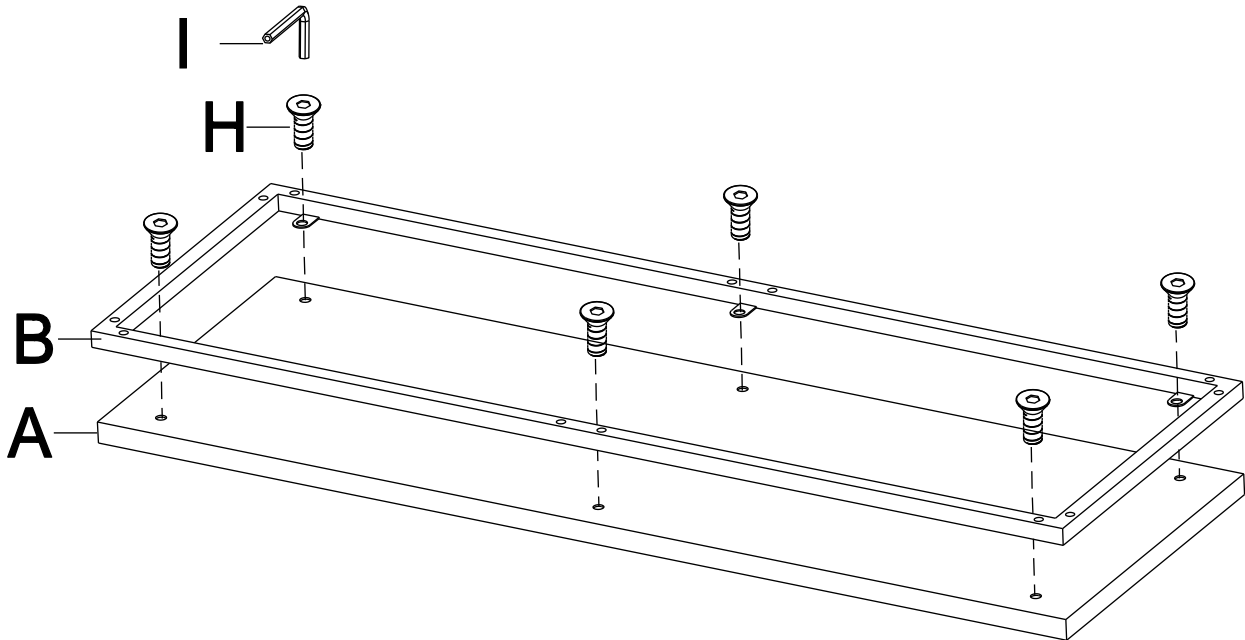


This page lists all the contents included in the box. Please take the time to identify the hardware as well as the individual components to this product. As you unpack and prepare for assembly, place the contents on a carpeted or padded area to protect them from damage.

***** Do not tighten screws & bolts until the entire unit is completely assembled.**

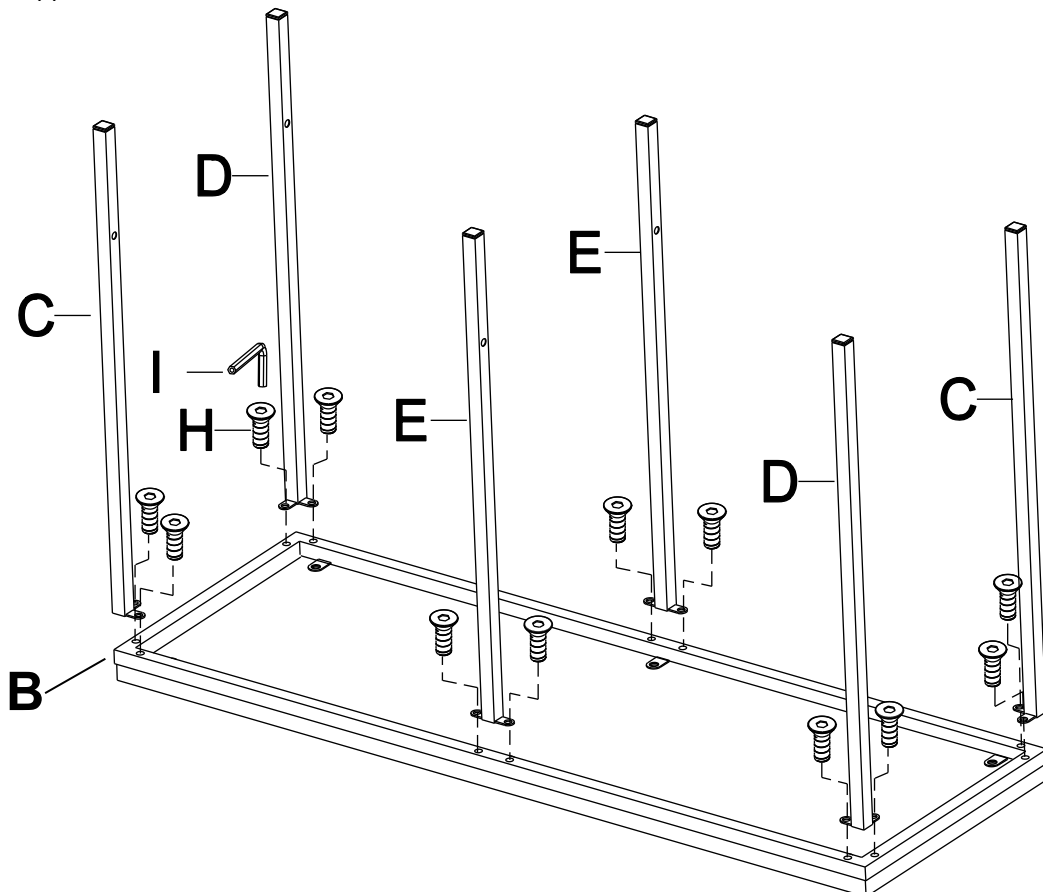
1

Attach Top Frame (B) to Wood Top (A) by Bolt (H) and Allen Wrench (I) as shown.



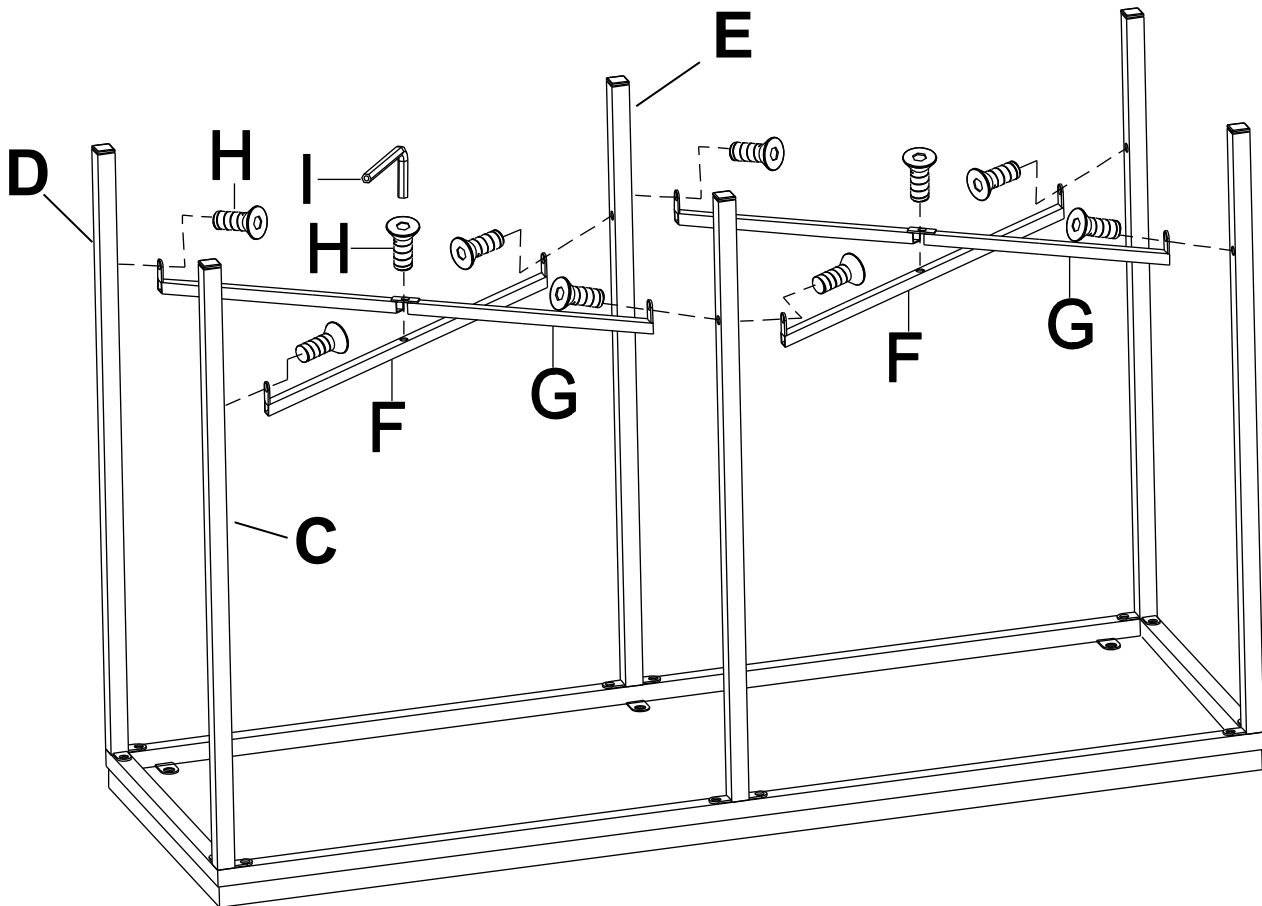
2

Attach Left Leg (C), Right Leg (D) and Middle Leg (E) to Top Frame (B) by Bolt (H) and Allen Wrench (I) as shown.



3

Attach Upper Stretcher (F) and Under Stretcher (G) to Left Leg (C), Right Leg (D) and Middle Leg (E) by Bolt (H) and Allen Wrench (I) as shown.



Cleaning & Care

Treat surface with care. Surface is resistant to scratches but is not scratch resistant. Clean surfaces with a dry or damp soft cloth. Do not use abrasive cleaners. Hardware may loosen over time. Periodically check that all connections are tight.