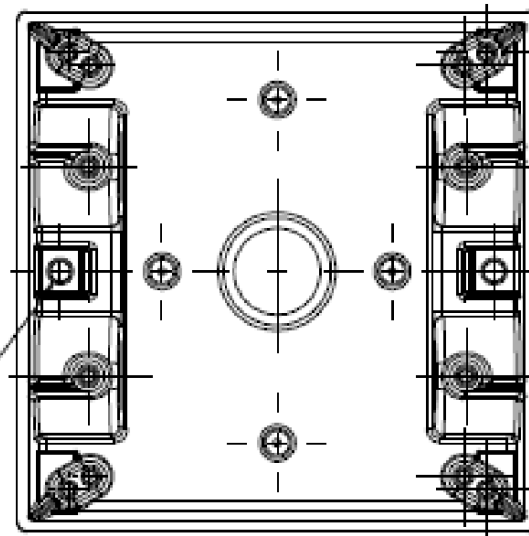


ZONE	NO.	DESCRIPTION	DATE	APPRD.	LTR. NO.
	1	SUBMIT FOR RELEASE	5/7/2020	PW	

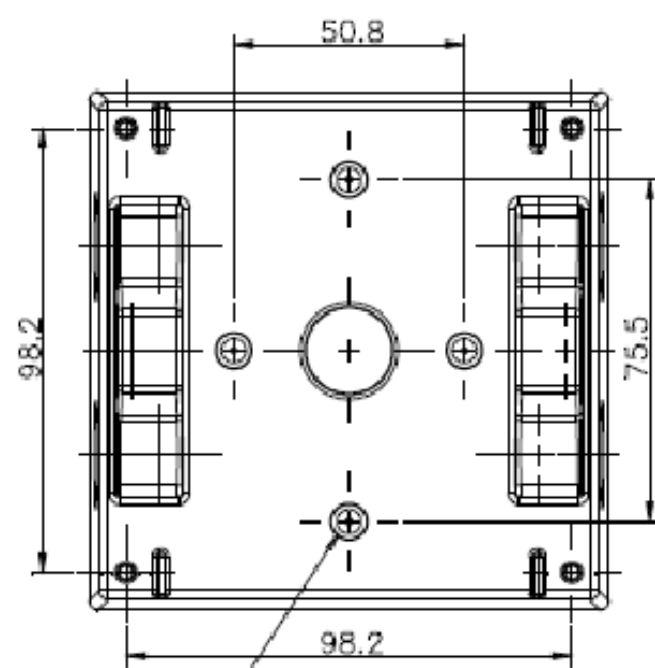
GROUNDING SCREW ASSEMBLED
NO 10 x 3/8" (02 NOS)



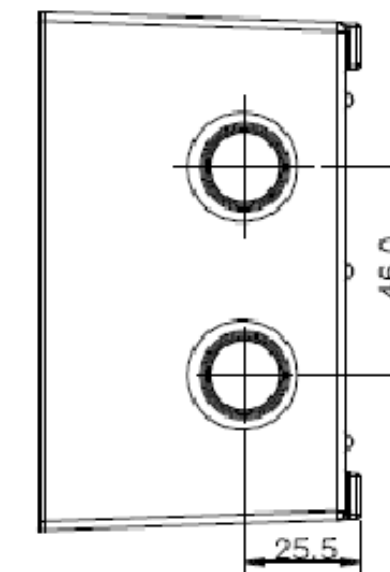
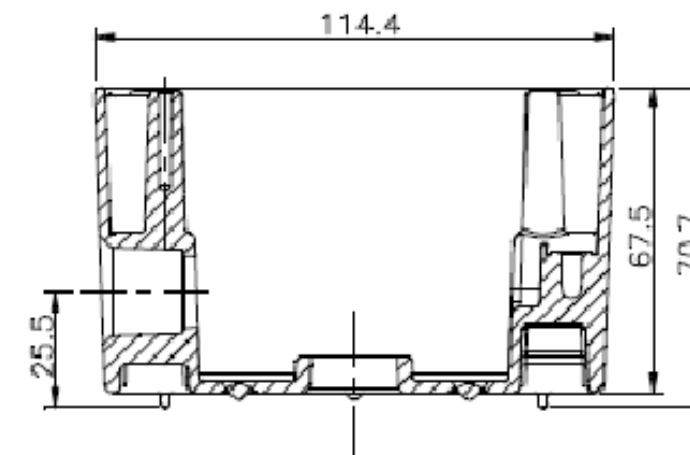
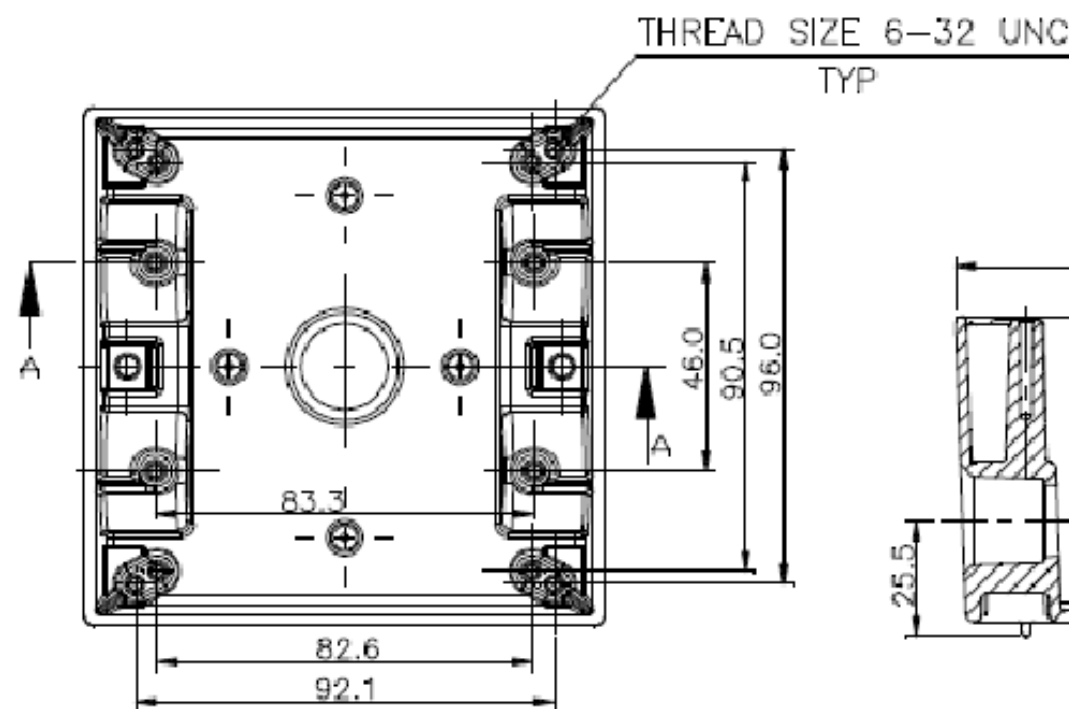
5-HOLE BOX

ACCESSORIES:

SR.NO.	DESCRIPTION	QTY
1	CLOSER PLUG	2
2	MOUNTING LUG	2
3	SCREW (NO. 8 X 1/4"L)	2



KNOCKOUT FOR BOX MOUNTING
DIA. AFTER KNOCKOUT 4.0
(04 NOS)


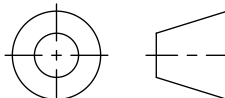


2 GANG 2 5/8" DEEP WP OUTLET BOX

		MIN. VOLUME (CU. IN.)
TP7126	1/2" 5 HOLE - GRAY	36.00
TP7130	3/4" 5 HOLE - GRAY	36.00
TP7134	1" 5 HOLE - GRAY	36.00

NOTES:

- CERTIFICATION/LISTING:  
- ENVIRONMENTAL RATING:
-WEATHERPROOF
-WET LOCATION

<small>THIS IS PROPERTY OF EATON AND CONTAINS CONFIDENTIAL AND TRADE SECRET INFORMATION. POSSESSION DOES NOT CONVEY ANY RIGHTS TO LOAN, USE OR DISCLOSE SAID INFORMATION. REPRODUCTION OR USE FOR ANY PURPOSE OTHER THAN WHICH IT WAS SUPPLIED MAY NOT BE MADE WITHOUT EXPRESS WRITTEN PERMISSION OF EATON. THIS DRAWING IS ON LOAN AND IS TO BE RETURNED UPON REQUEST.</small>	TOLERANCES UNLESS OTHERWISE SPECIFIED		UNLESS OTHERWISE SPECIFIED, ALL PRIMARY DIMENSIONS ARE IN INCHES. DIMENSIONS IN [] ARE IN MILLIMETERS.		 CROUSE-HINDS SERIES																
	<table border="1"> <tr> <th></th> <th>in.</th> <th>mm</th> </tr> <tr> <td>.X</td> <td>± .1</td> <td>± .3</td> </tr> <tr> <td>.XX</td> <td>± .01</td> <td>± .13</td> </tr> <tr> <td>.XXX</td> <td>± .005</td> <td>± .000</td> </tr> <tr> <td>ANGLES</td> <td>± 1.5°</td> <td>± 1.5°</td> </tr> </table>			in.		mm	.X	± .1	± .3	.XX	± .01	± .13	.XXX	± .005	± .000	ANGLES	± 1.5°	± 1.5°	ORIGINAL DATE	05/4/2020	TITLE 2 GANG 2 5/8" DEEP WP BOX 1/2" THRU 1" W/5 HOLES FIRST MADE FOR WEATHERPROOF
		in.	mm																		
	.X	± .1	± .3																		
.XX	± .01	± .13																			
.XXX	± .005	± .000																			
ANGLES	± 1.5°	± 1.5°																			
DIM AND TOL IN ACCORDANCE WITH ASME Y14.5 2009.		REDRAWN DATE		<table border="1"> <tr> <td>SIZE</td> <td>CODE IDENT. NO.</td> <td rowspan="2"> TP7 </td> <td rowspan="2"> REV. 1 </td> </tr> <tr> <td>C</td> <td></td> </tr> </table>	SIZE	CODE IDENT. NO.	TP7	REV. 1	C												
SIZE	CODE IDENT. NO.	TP7	REV. 1																		
C																					
THIRD ANGLE PROJECTION			CHECKED BY DRAWN BY APPROVED BY APPROVED BY	TAK 	SCALE 1:1 WT. SHEET 1 OF 1																
MATERIAL: FINISH: NEXT ASSY. USED ON APPLICATION																					