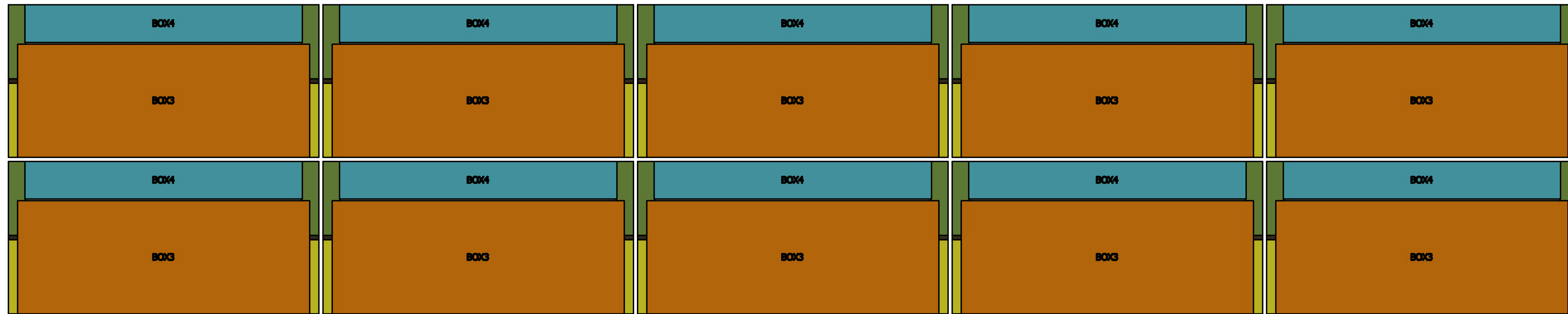


2206106B 12X10 ARLINGTON GAZEBO Container Loading

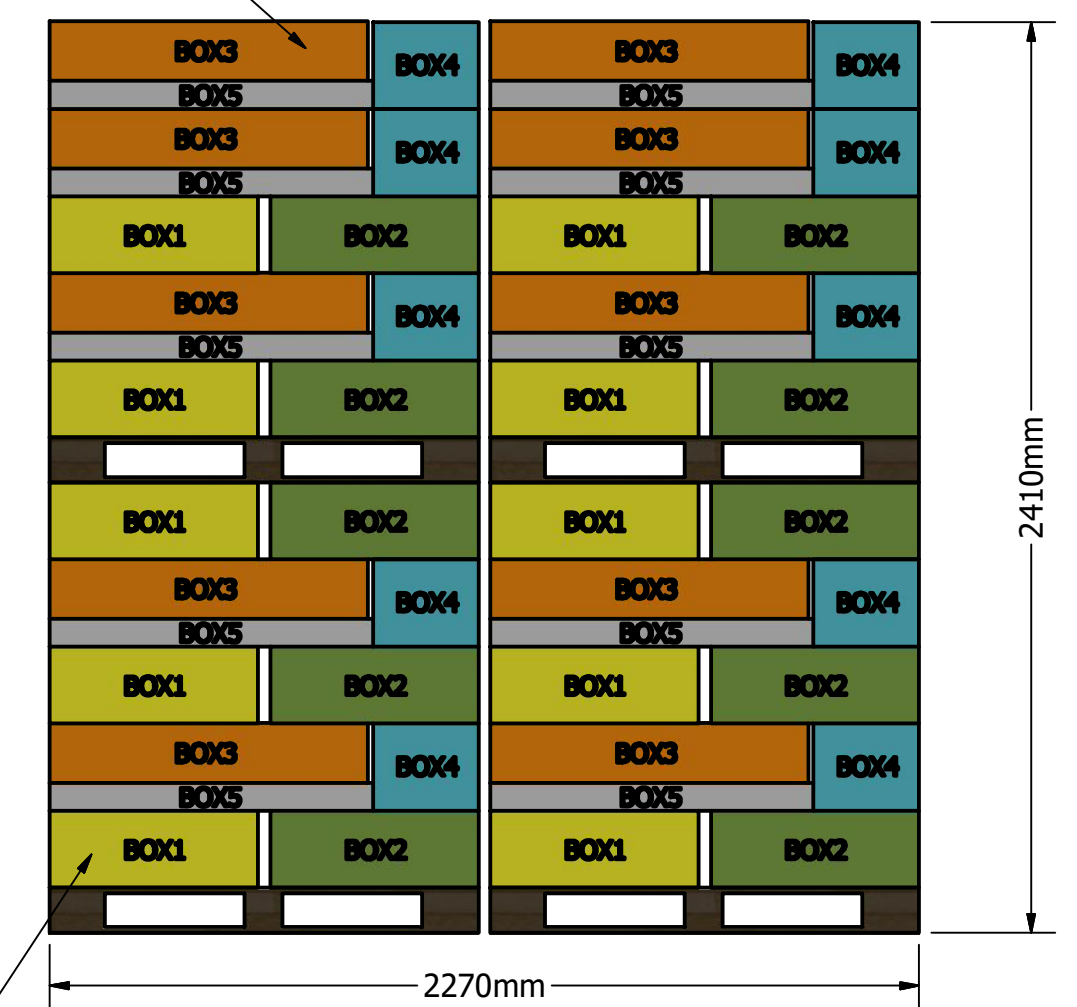
(1 set=5 boxes, 50 sets/40HQ, 20 pallets/ 40HQ, Gross weight: 17050kg)

Top view

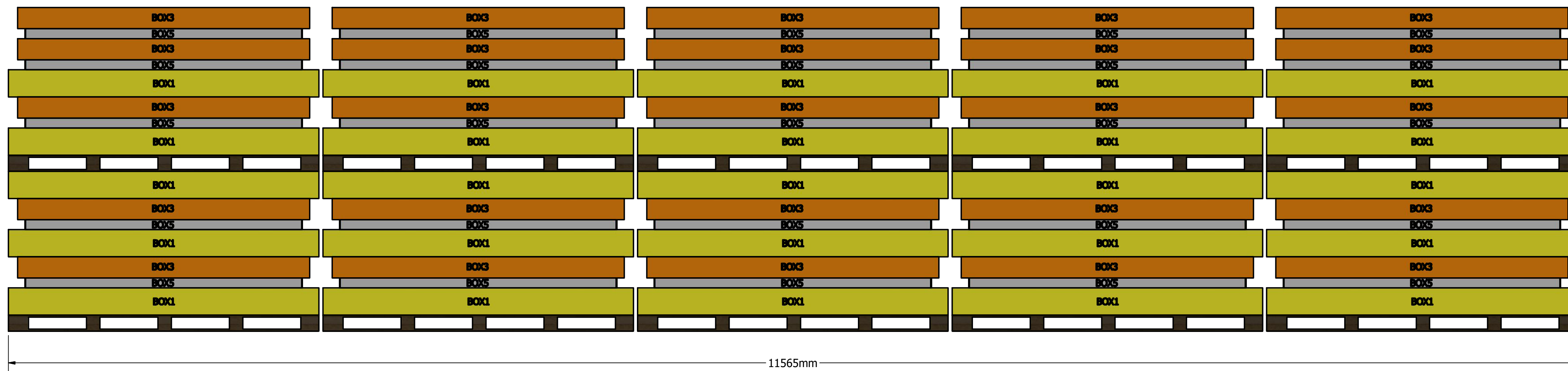


End view

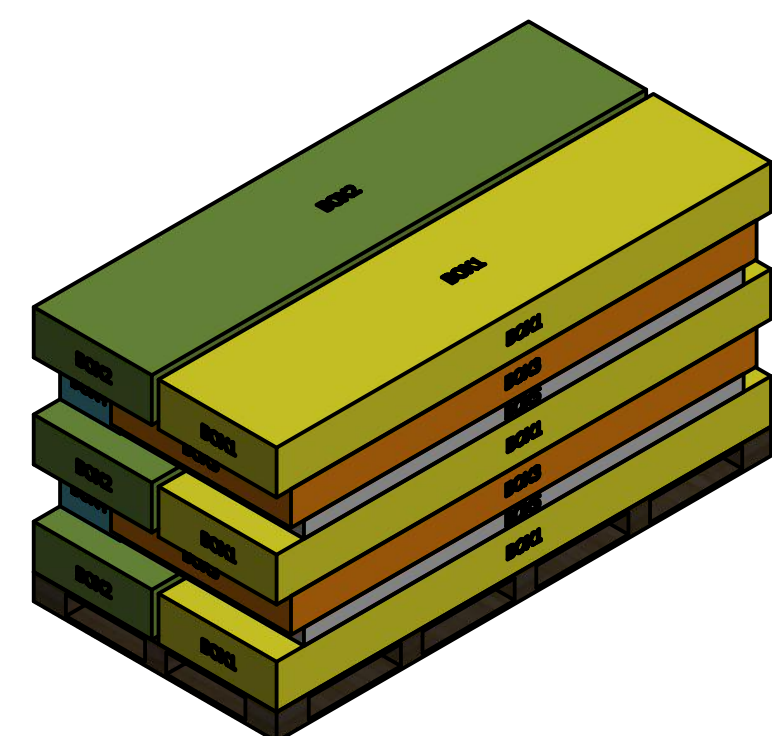
Pallet B *10



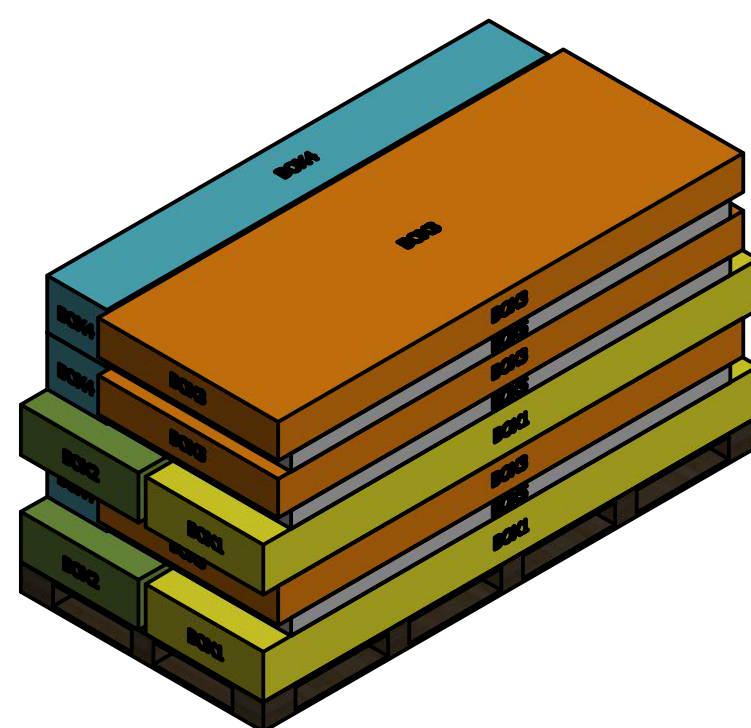
Side view



Pallet A *10



Pallet A (2.5 sets/Pallet)

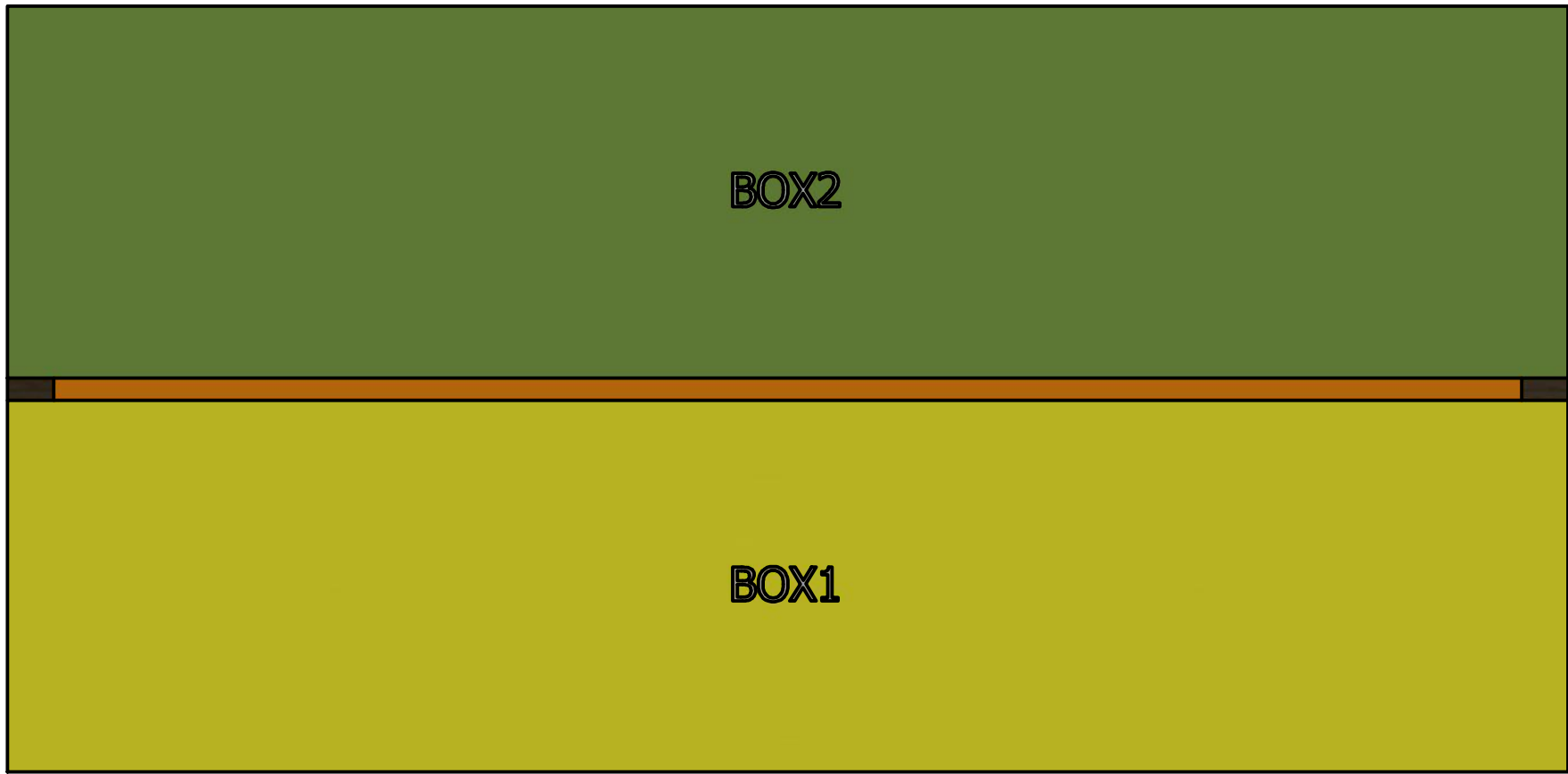


Pallet B (2.5 sets/Pallet)

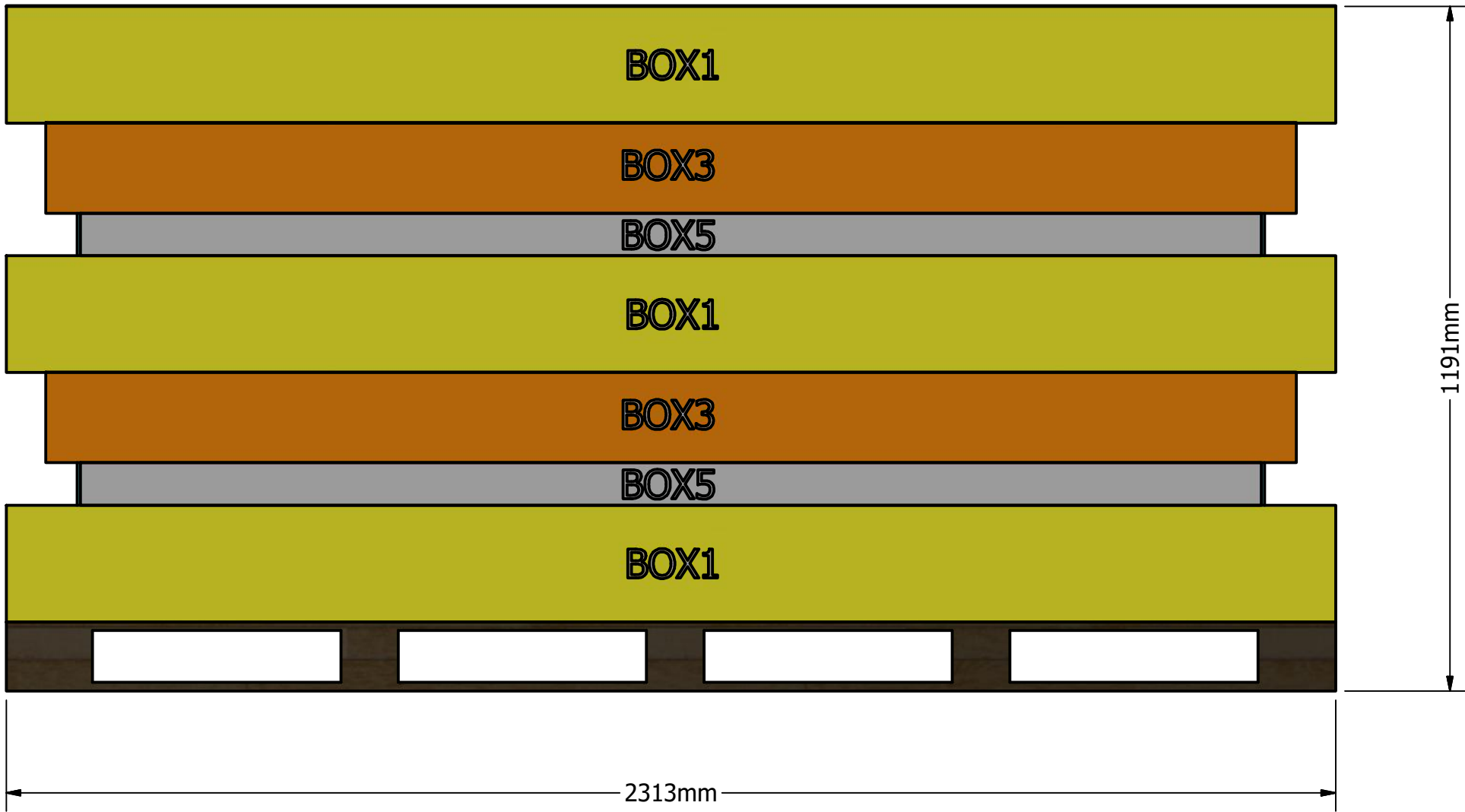
DRAWN	Rudy	2019-11-13		
CHECKED			TITLE	
QA				
MFG				
APPROVED				
			SIZE	DWG NO
			D	2001510 10x12 ARLINGTON GAZEBO
			SCALE	0.05
			SHEET 1 OF 1	

Pallet A detail (2.5 sets)

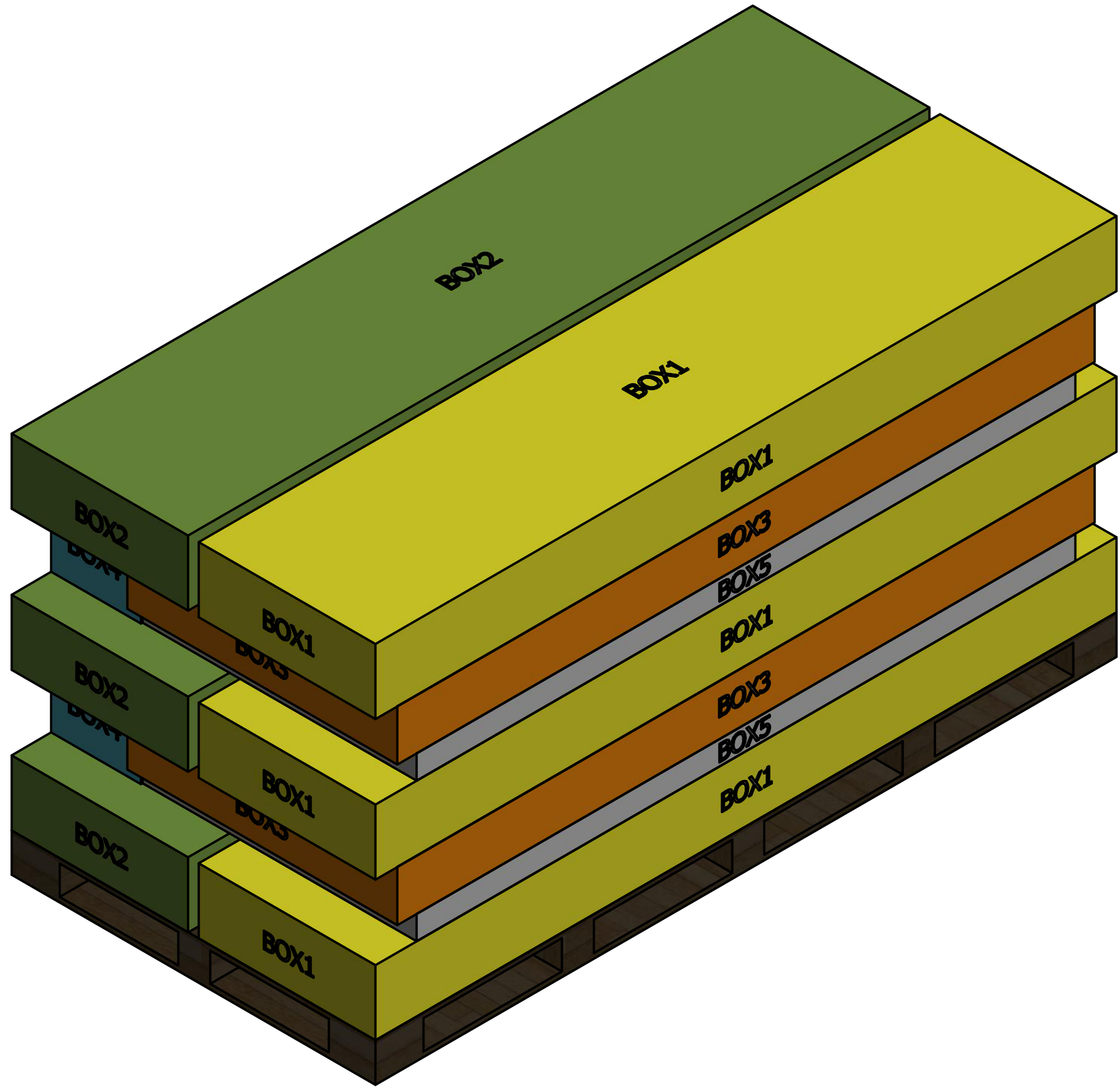
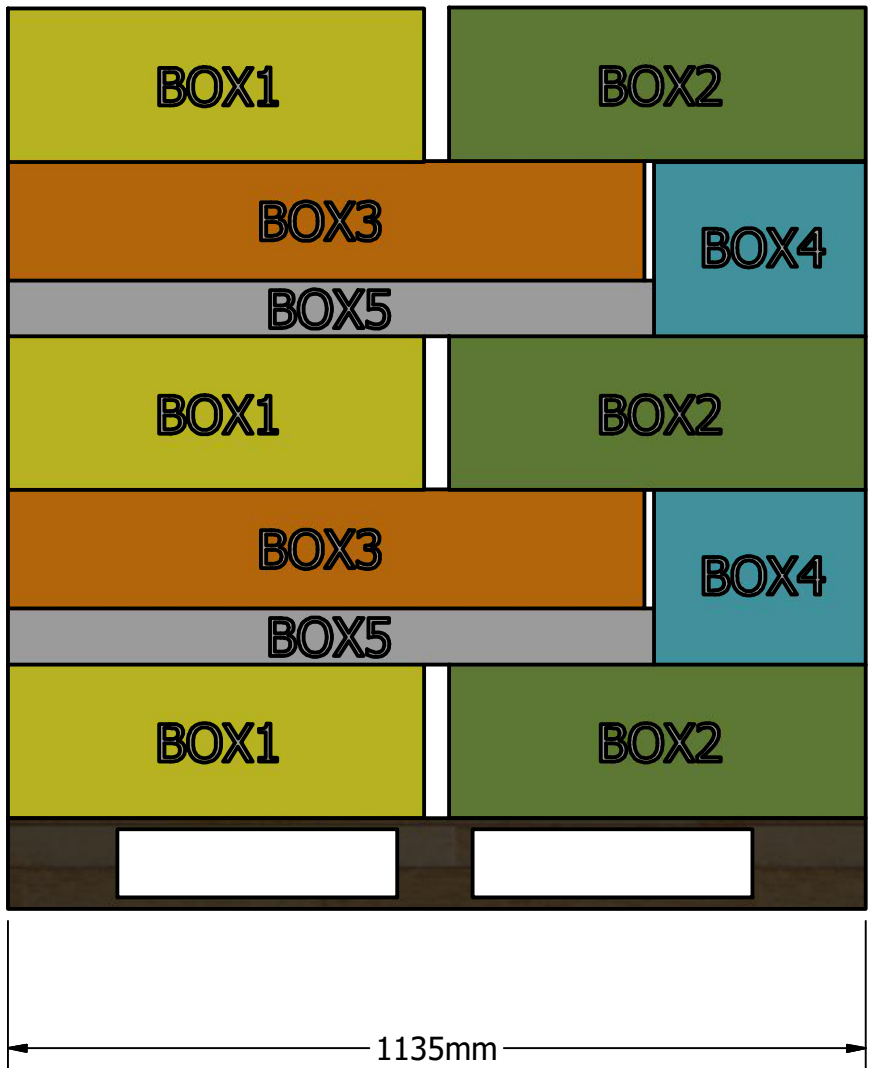
Top View



Side View



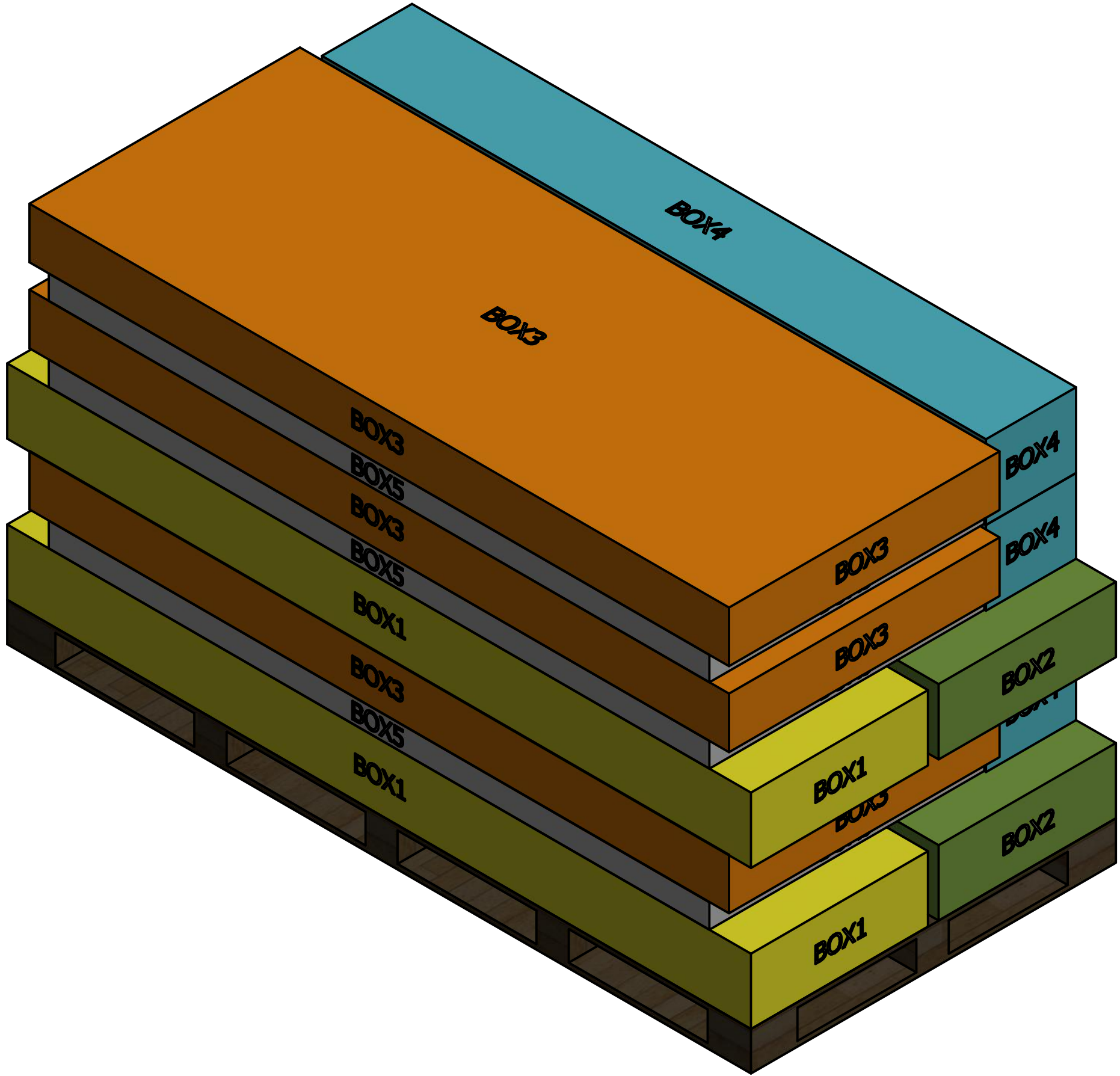
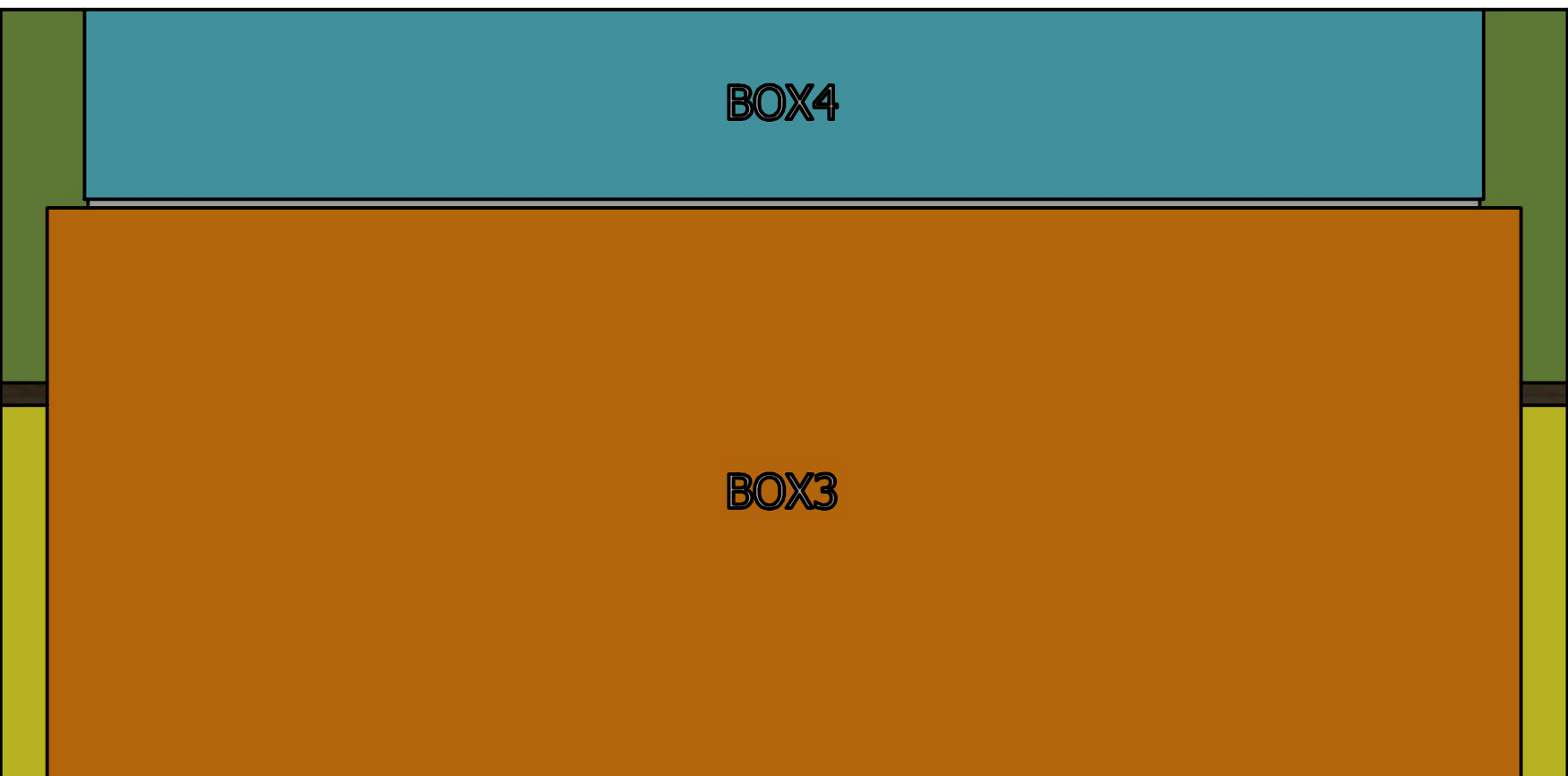
End View



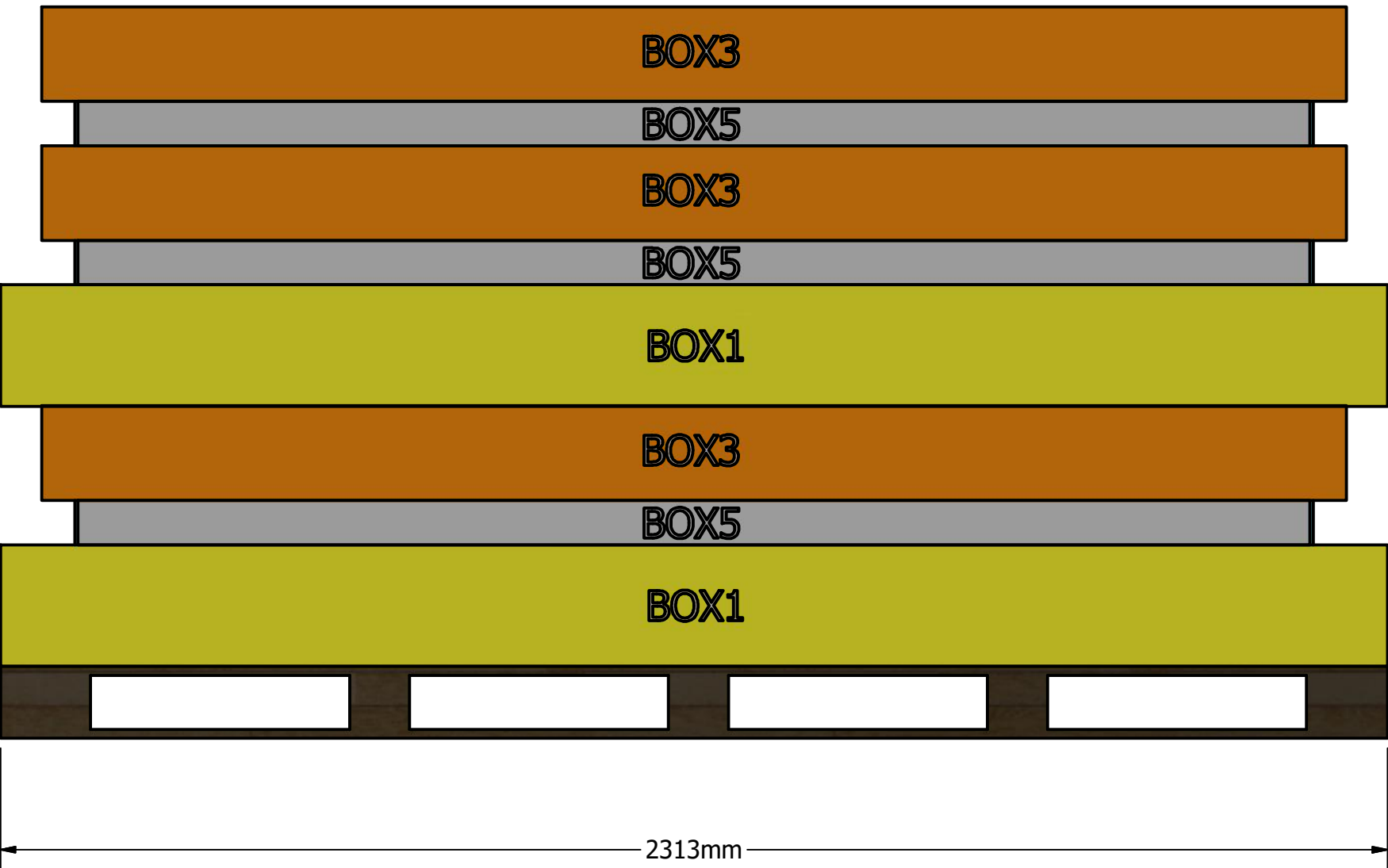
DRAWN Rudy	2019-11-13		
CHECKED		TITLE	
QA			
MFG			
APPROVED			
		SIZE D	DWG NO Pallet A
		SCALE 0.1 : 1	REV
		SHEET 1 OF 1	

Pallet B detail (2.5 sets)

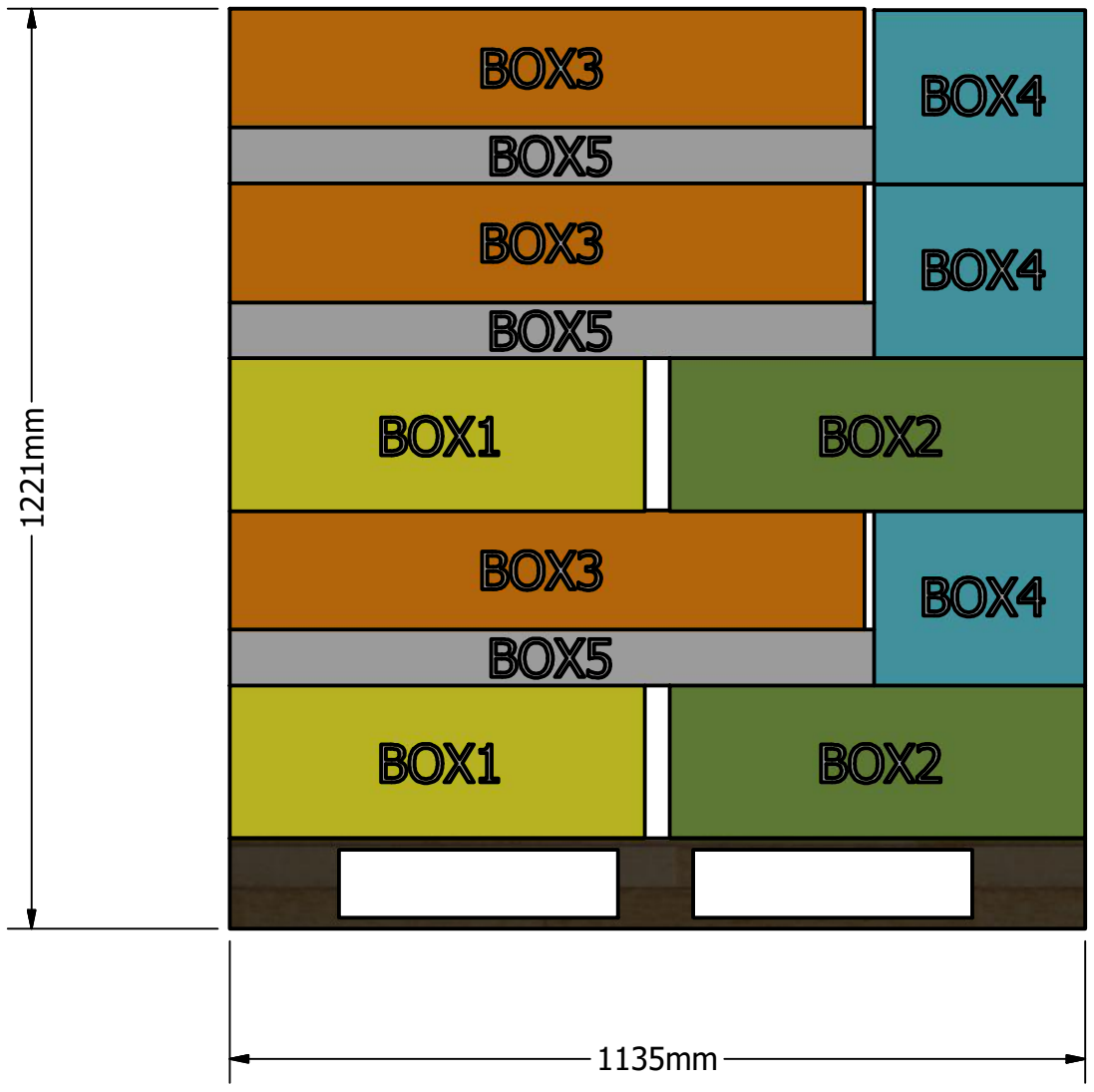
Top View



Side View

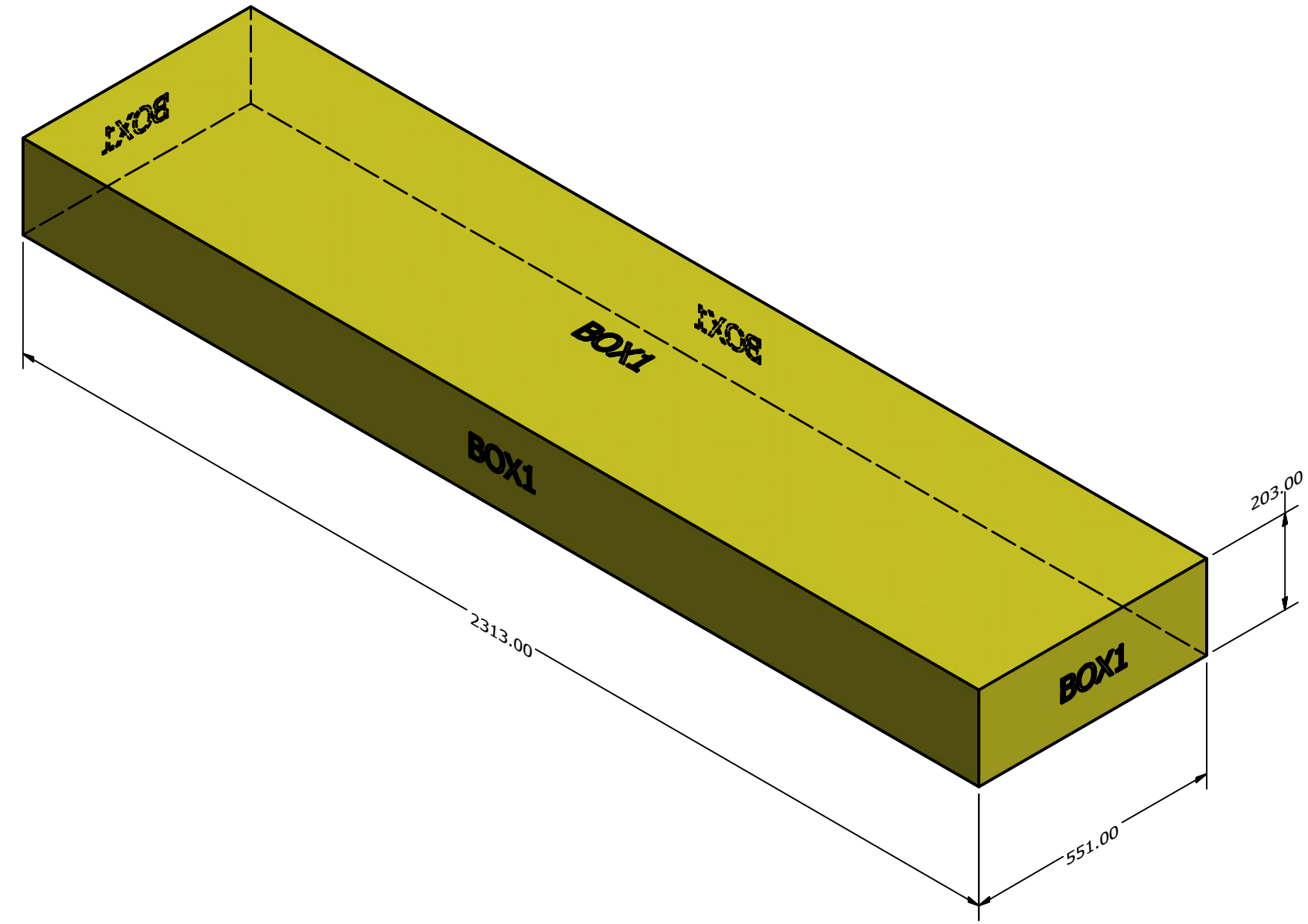


End View

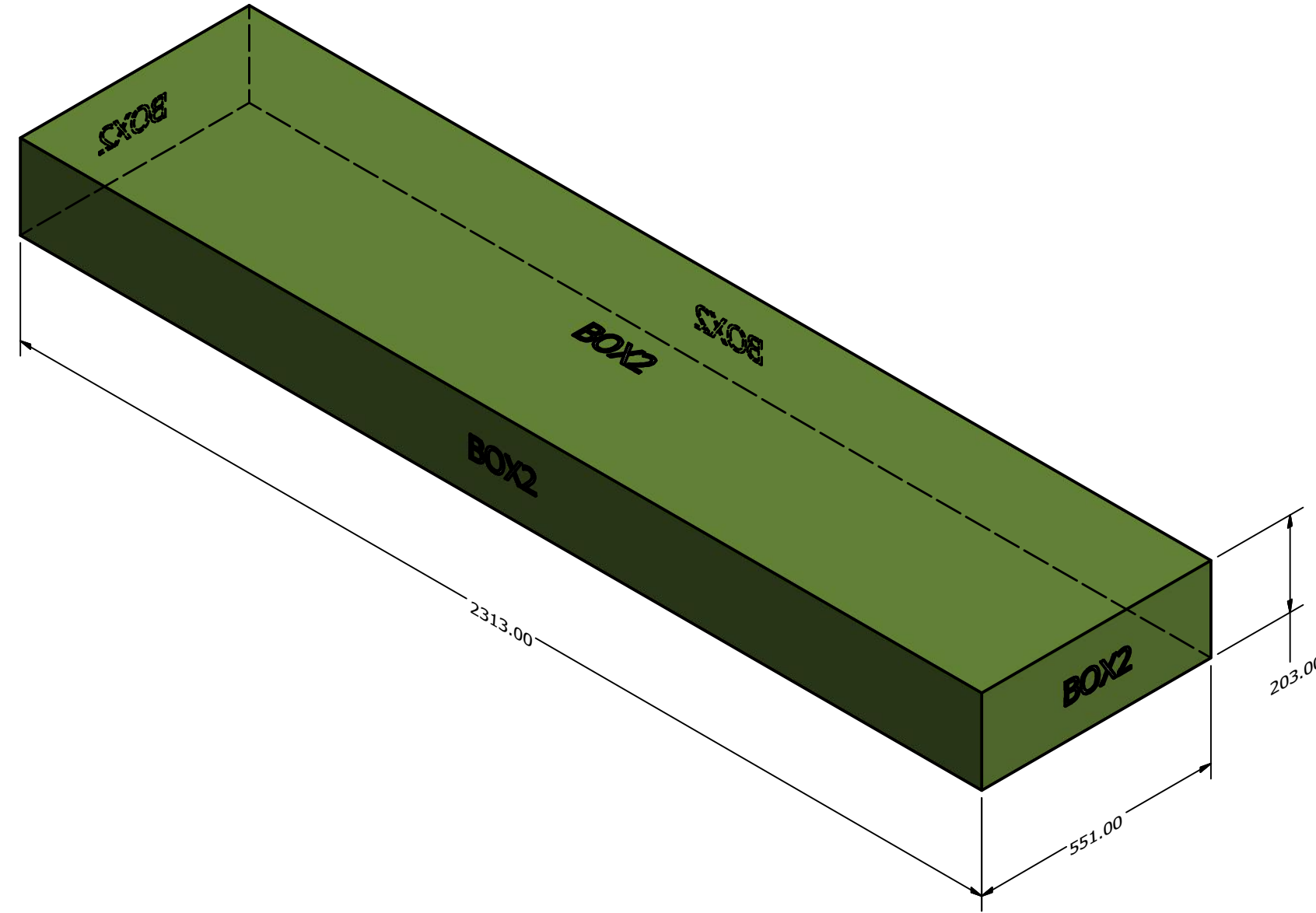


DRAWN Rudy	2019/11/11		
CHECKED		TITLE	
QA			
MFG			
APPROVED			
		SIZE D	DWG NO Pallet B
		SCALE 0.1 : 1	REV
		SHEET 1 OF 1	

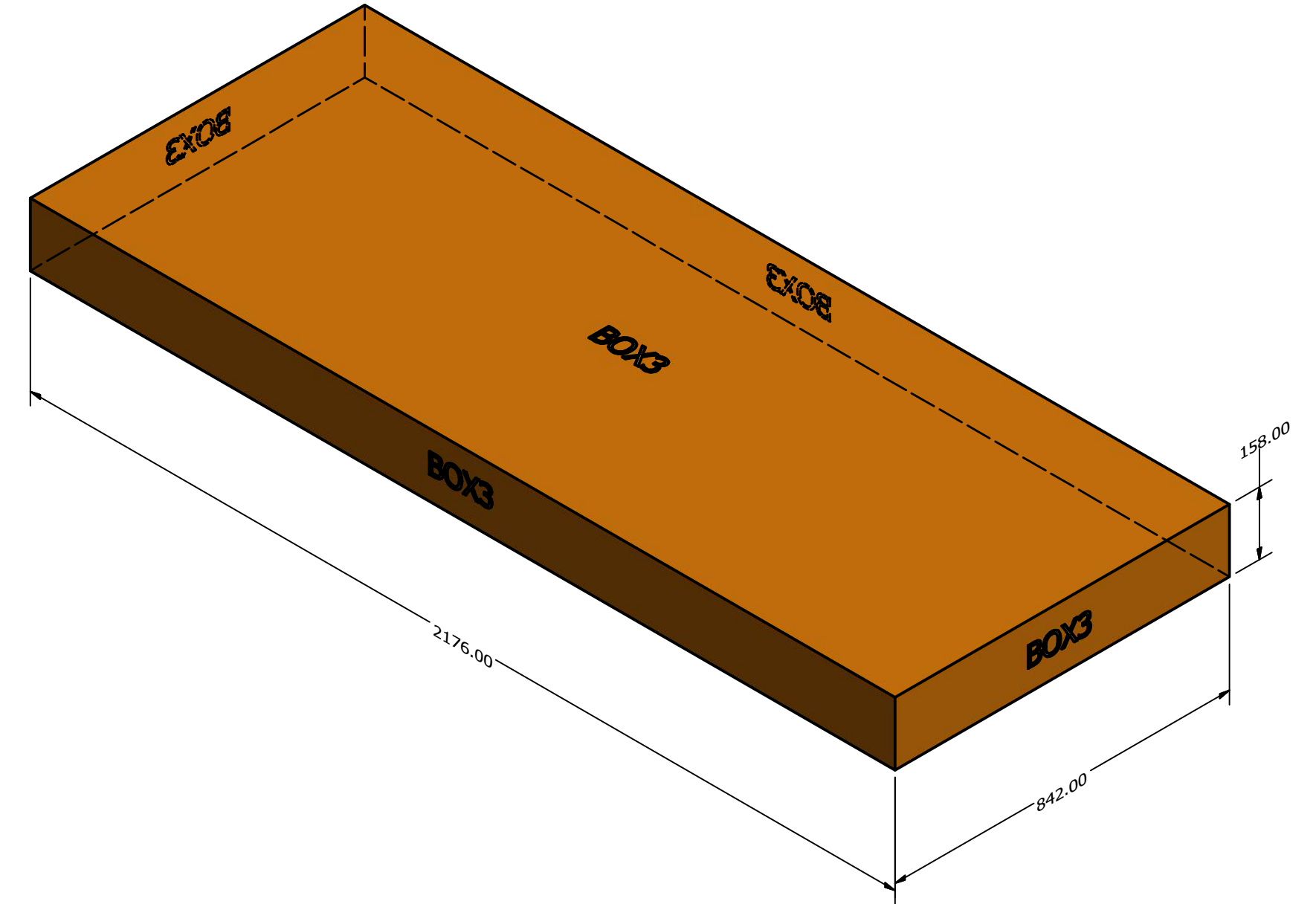
BOX1 (60kg)



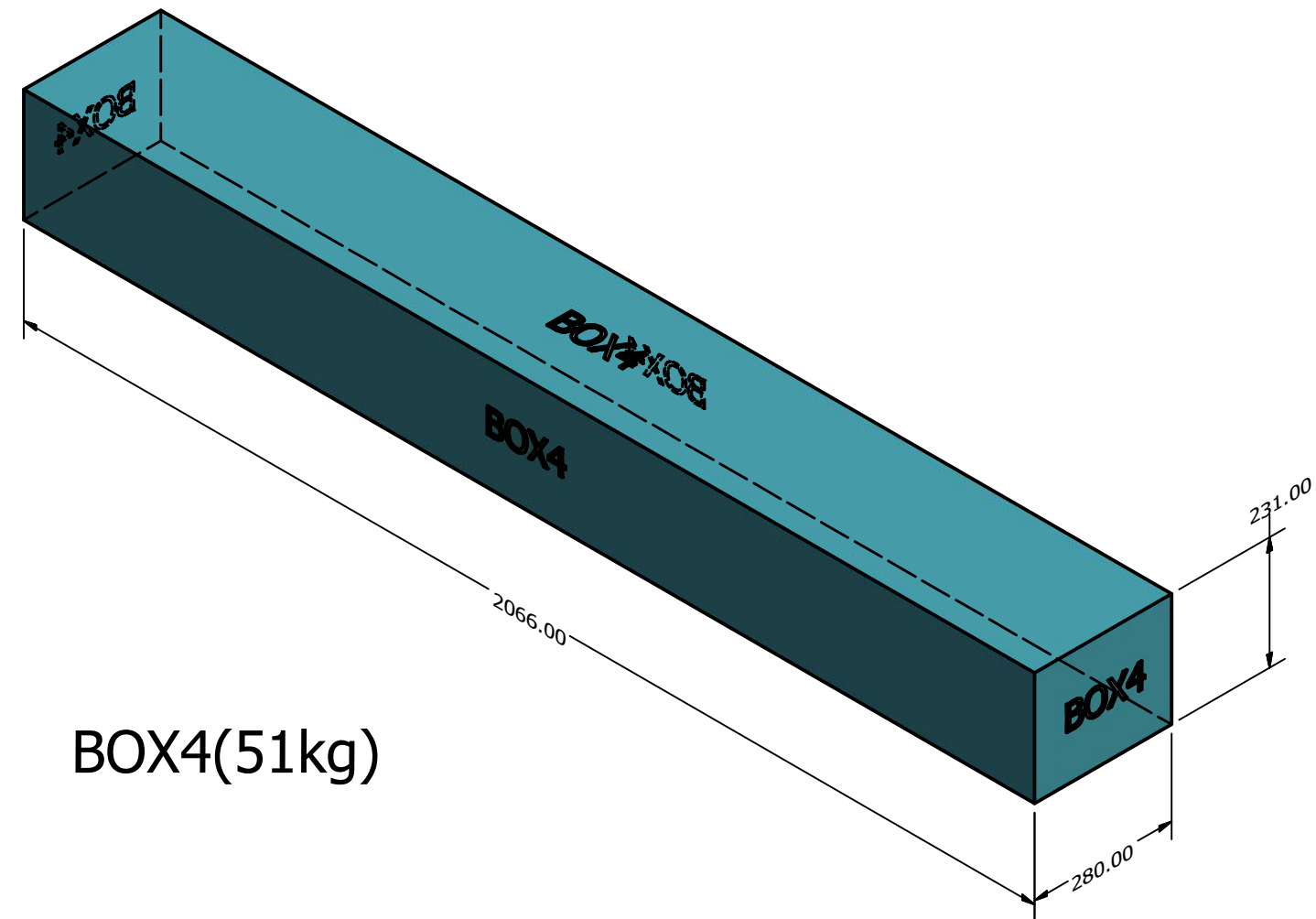
BOX2 (63kg)



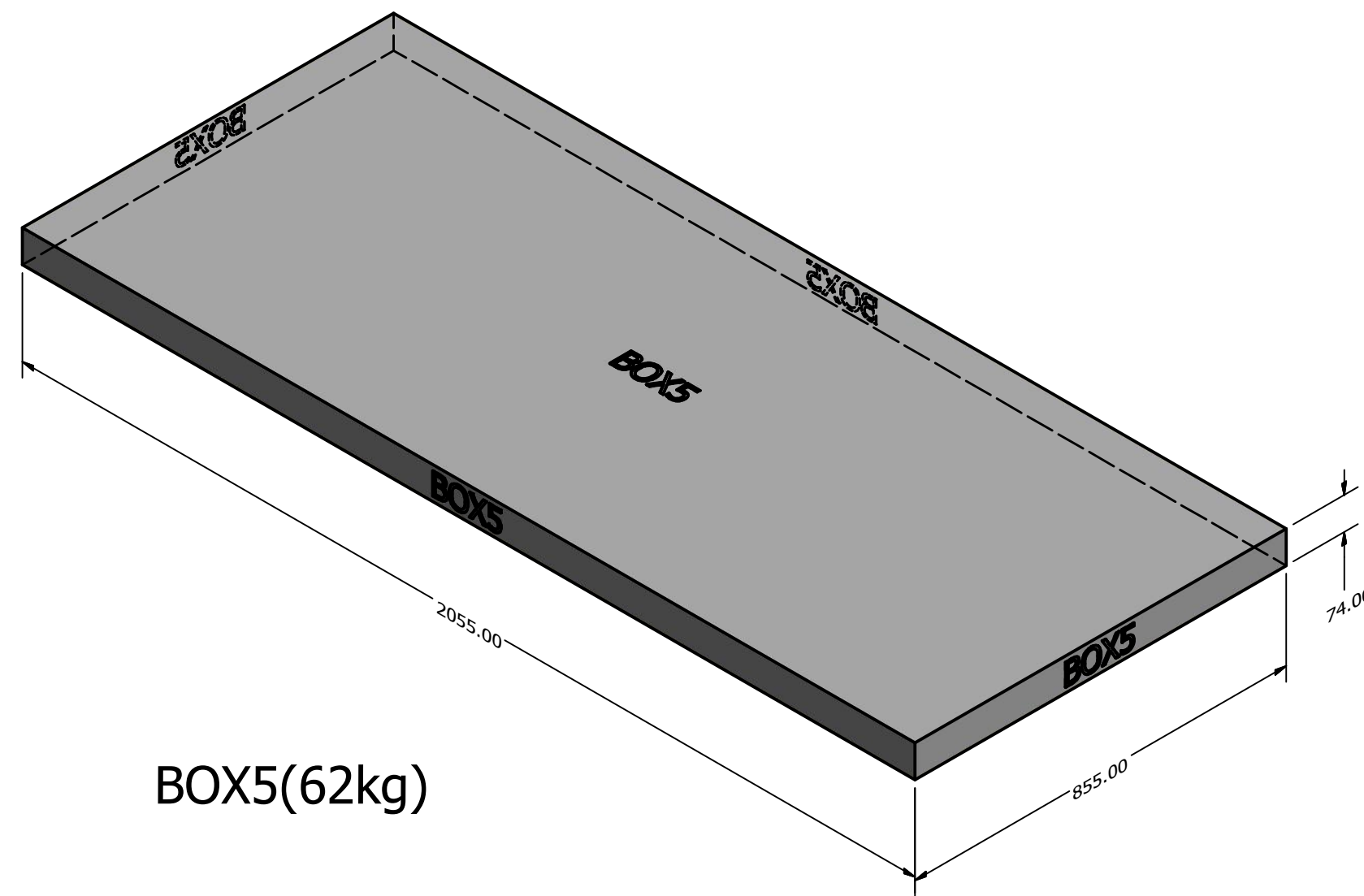
BOX3(85kg)



BOX4(51kg)



BOX5(62kg)



DRAWN	Rudy	2019-11-13			
CHECKED			TITLE		
QA					
MFG					
APPROVED					
			SIZE	DWG NO	REV
			D	BOXES	
			SCALE	0.10	SHEET 1 OF 1