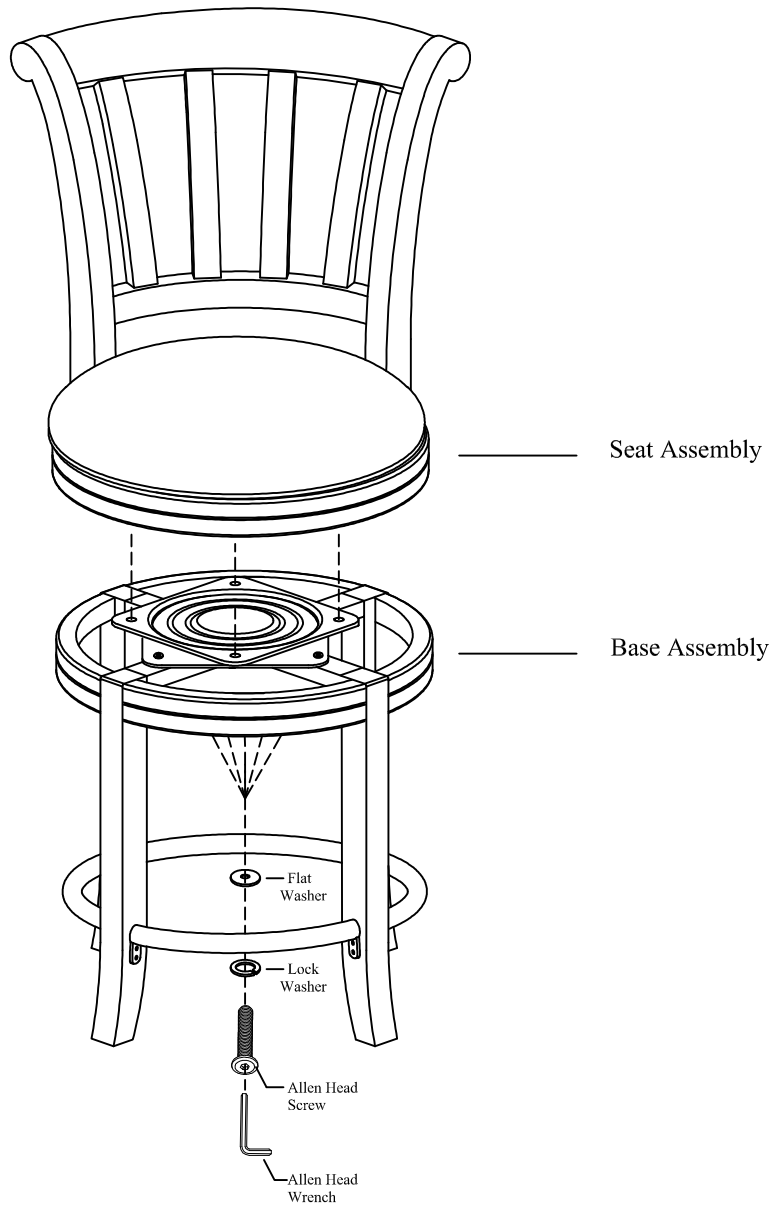


PUB STOOL ASSEMBLY INSTRUCTION

MODEL 697-010







Attach the Seat Assembly to the Base Assembly with hardware as shown.

Periodically check that the screws are tight and secure.

Maximum Weight capacity = 300 pounds

HARDWARE ENCLOSED

	Flat Washer	4 pieces
	Lock Washer	4 pieces
	Allen Head Screw	4 pieces
	Allen Head Wrench	1 piece