





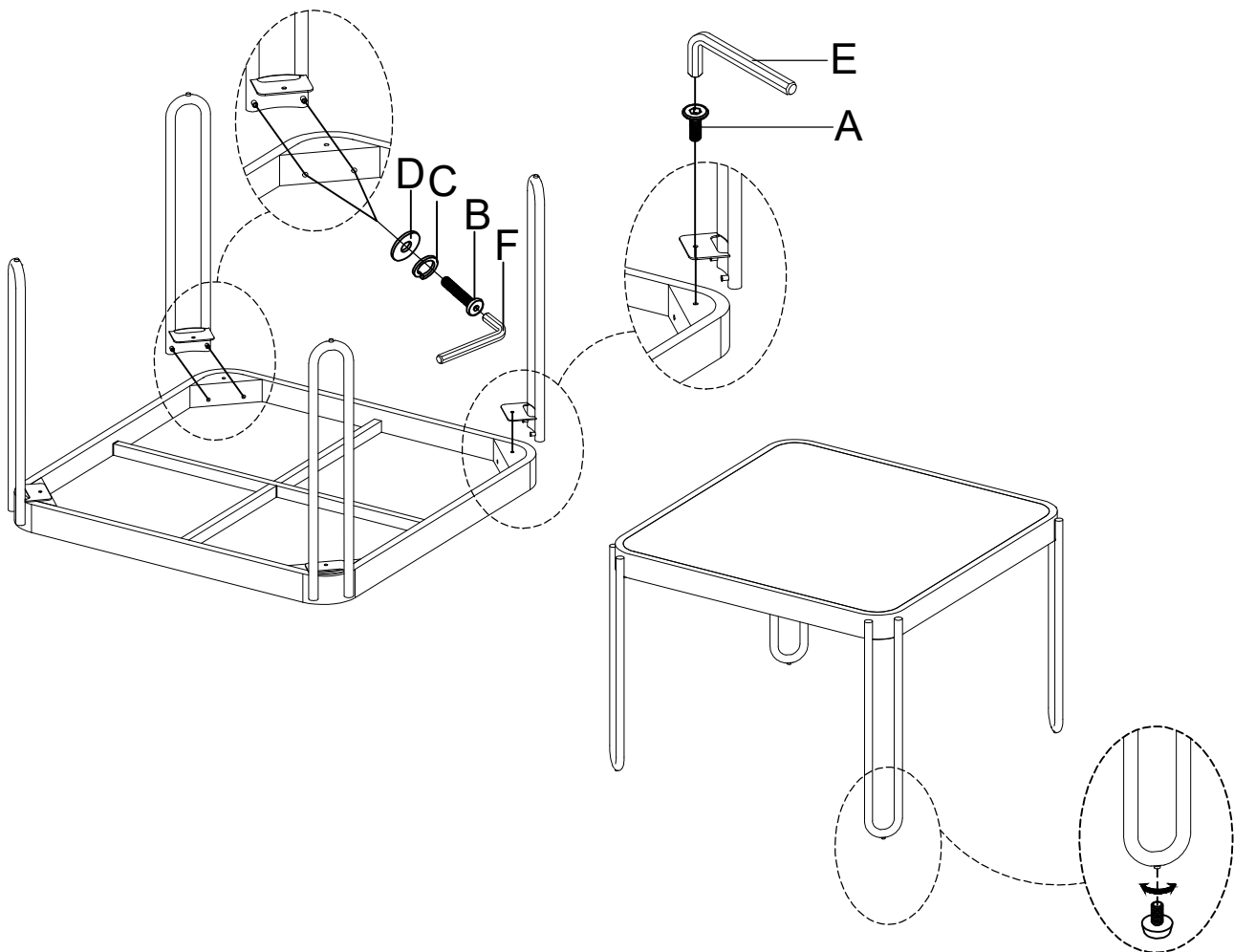


Thank you for purchasing this quality product. Be sure to unpack carefully looking for small parts which may you have come loose during shipment.

Read all instruction and study the drawing carefully before starting the assembly process.

HARDWARE PACK

NO	DRAWING	DESCRIPTION	SIZE	Q'TY
A		Bolt	Ø1/4"*5*8"	4PCS
B		Bolt	Ø5/16"*3-1/4"	8PCS
C		Lock washer	Ø5/16"*13mm	8PCS
D		Flat washer	Ø5/16"*16mm	8PCS
E		Allen wrench	4mm	1PC
F		Allen wrench	5mm	1PC



Adjust leveler if needed to level case on uneven floor

Note: Anti-tip kit restraint is provided.
Please follow the instructions enclosed with the pack.