

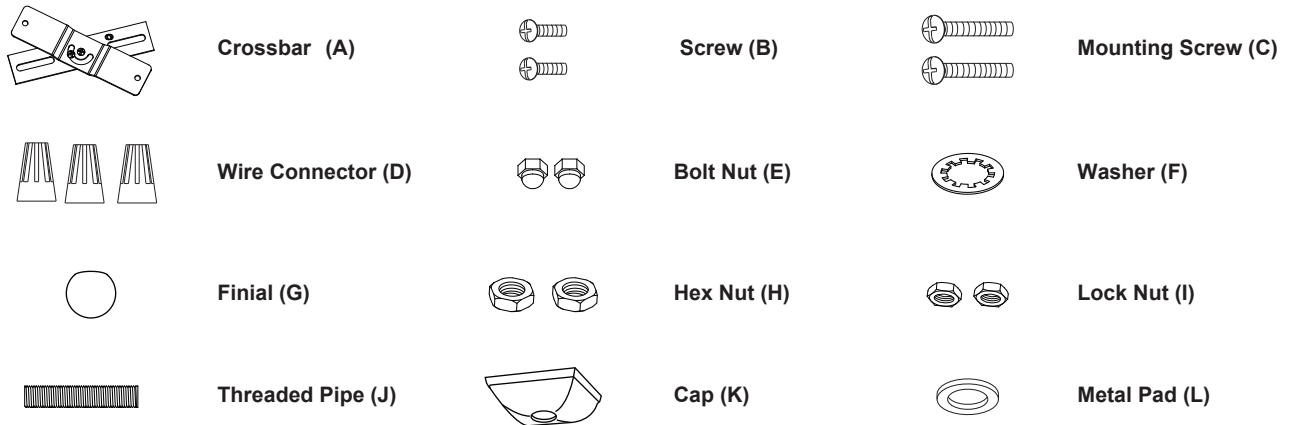
# ASSEMBLY AND INSTALLATION INSTRUCTIONS

CC55714BBZ

**WARNING:** TO AVOID RISK OF ELECTRICAL SHOCK, BE SURE TO SHUT OFF POWER BEFORE INSTALLING OR SERVICING THIS FIXTURE.

NOTES: 1. Before installing, consult local electrical codes for wiring and grounding requirements.  
2. Read and save these instructions.

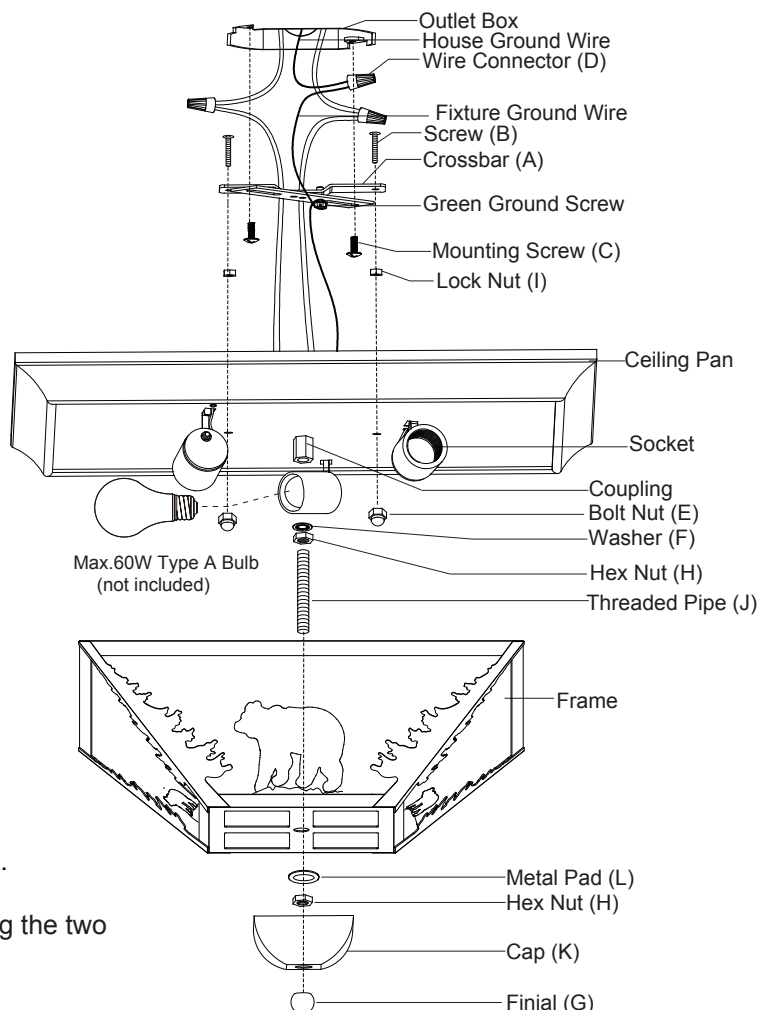
## Hardware Package (included):



## Installation Steps

Turn off the power at fuse or circuit box.

1. Thread two screws (B) through the crossbar (A), then secure them with two lock nuts (I). Adjust the length of the screws if necessary.
2. Attach the crossbar (A) to the outlet box with two mounting screws (C).
3. Pull out the source wires from the outlet box. Make wire connections using wire connectors (D) as follows:
  - Connect the hot wire (usually black insulation) from the fixture to the black wire from the power source.
  - Connect the neutral wire (usually white insulation) from the fixture to the white wire from the power source.
  - Attach the fixture grounding wire (usually green with the insulation or bare wire) to the crossbar (A) with green ground screw, then depending on local code connect it to the house ground wire with the wire connector (D).
 Carefully put all of the wires back into the outlet box.



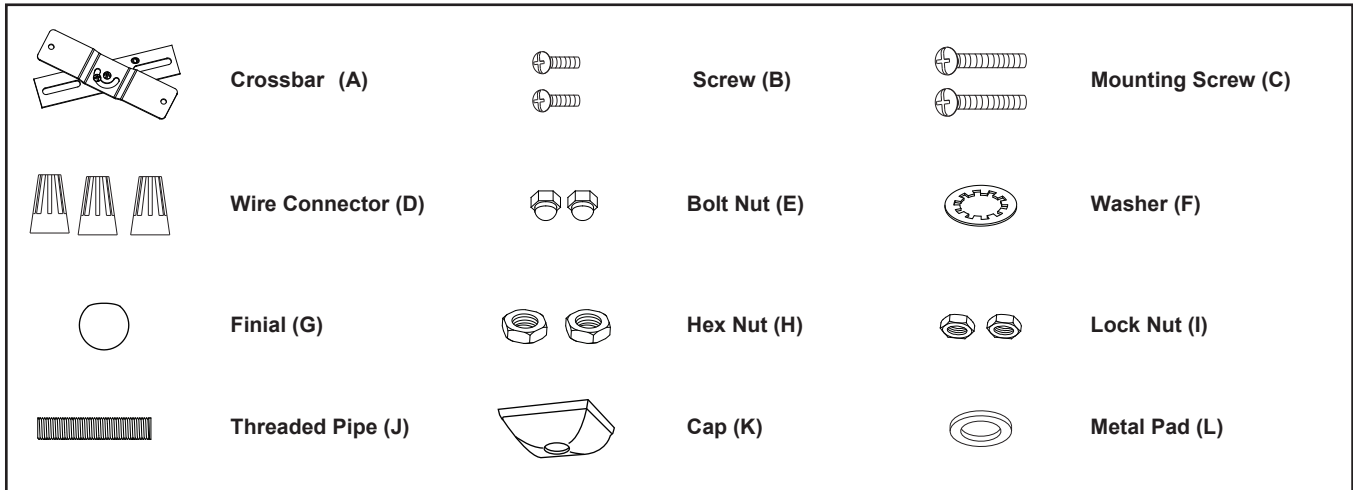
4. Attach the ceiling pan to the crossbar (A) by inserting the two screws (B), then secure it with the bolt nuts (E).

5. Install 3 x 60W max. medium base bulbs (not included). See relamping label at socket area or packaging for maximum wattage allowed.
6. Attach the threaded pipe (J) into the coupling of the ceiling pan and secure the washer (F) and hex nut (H).
7. Attach the frame to the ceiling pan and allow the threaded pipe (J) through the frame, then secure it with metal pad (L) and hex nut (H). Tighten the cap (K) onto the threaded pipe (J) by finial (G).

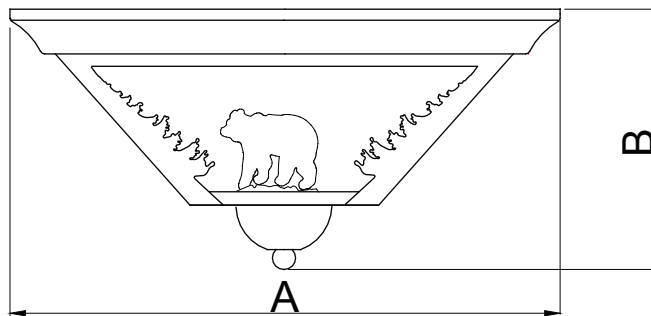
**Turn on the power at fuse or circuit box.**

The following parts are available for reorder if damaged or missing.

**Spare Parts List:**



↓ Assembly Kit  
6536MM (1 SET)



A: 14"

B: 7"

**1 Year Warranty**

Vaxcel warrants all of our products against defects in workmanship and finishes for one year following the date of shipment.

*Exclusions: This warranty does not include the failure of products from extreme acts of nature; environmental conditions not suited for the products intended use; operation in temperatures outside of the range specified in the instruction manual; usage with improper power supply, power surges or dips. For coastal locations, some corrosion is considered normal for the environment.*

*Vaxcel reserves the right to repair, replace or issue a credit for any properly installed product, provided it is returned per RMA instruction. This warranty is limited to the cost of the product only and does not extend to transportation, installation or replacement costs.*

How can warranty service be obtained?

info@vaxcel.com  
1-800-482-9235