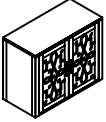

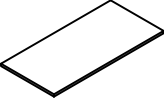
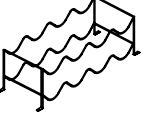





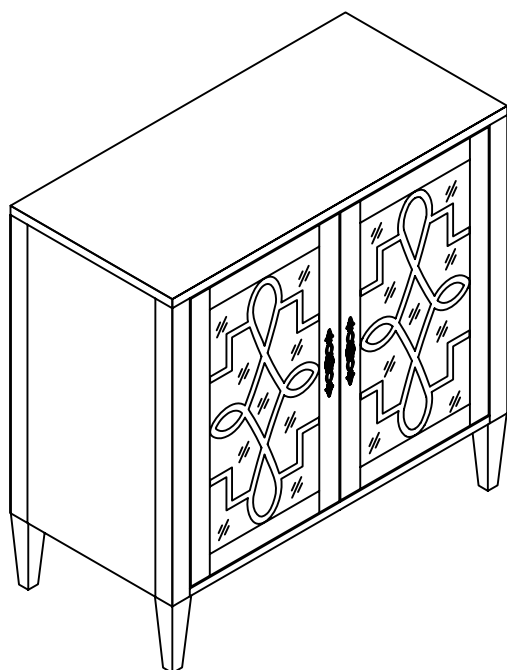


# ASSEMBLY INSTRUCTION

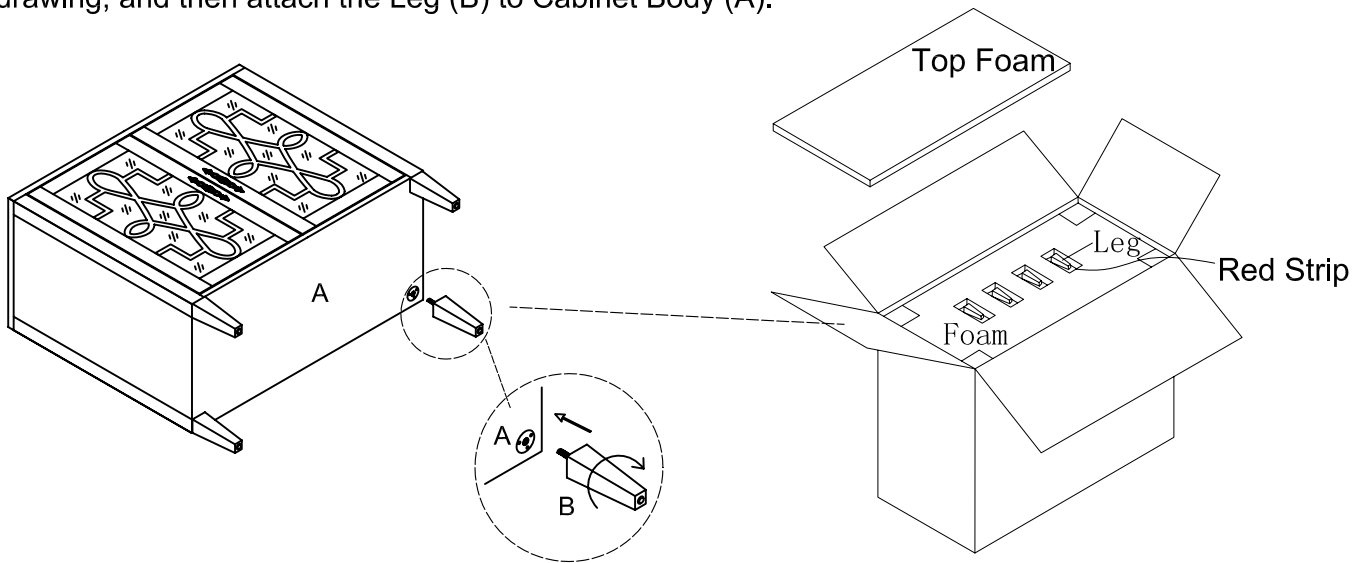
## 646W(3A) MIRRORED WINE CABINET

<b>A</b> Cabinet Body  1PC	<b>B</b> Leg (hidden under the foam)  4PCS	<b>C</b> Shelf 785 x 390 x 15mm  1PC	<b>D</b> Wine Rack  1PC	
<b>E</b> Handle 28mmx32mm (Pre-attached inside the door of the cabinet)  2PCS	<b>F</b> Bolt ø4mmx32mm  2PCS	<b>G</b> Shelf Support  4PCS	<b>H</b> Metal Screw ø6mmx15mm  4PCS	
<b>I</b> Anti-tipping Hardware Pack (inside the drawer of cabinet) 				
<b>a</b> 2PCS	<b>b</b> 2PCS	<b>c</b> 2PCS	<b>d</b> 1PC	<b>e</b> 2PCS

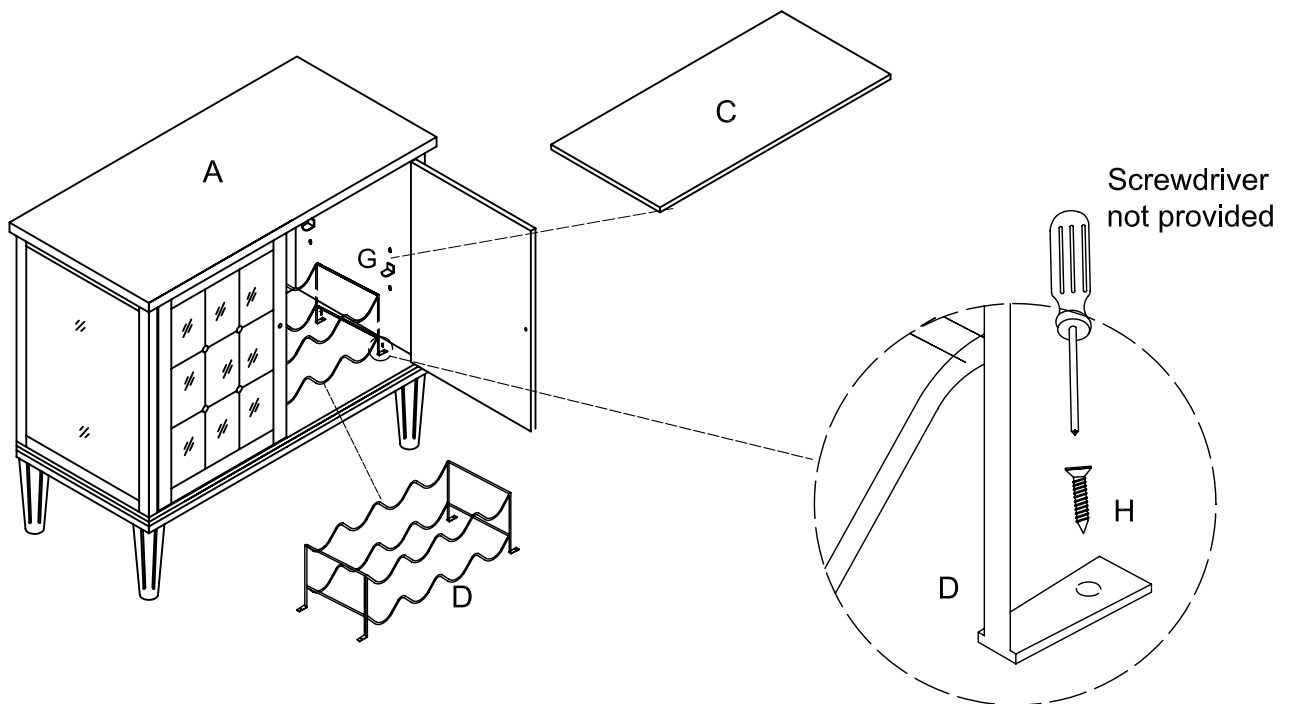


This page lists all the contents included in the box. Please take the time to identify the hardware as well as the individual components to this product. As you unpack and prepare for assembly, place the contents on a carpeted or padded area to protect them from damage.

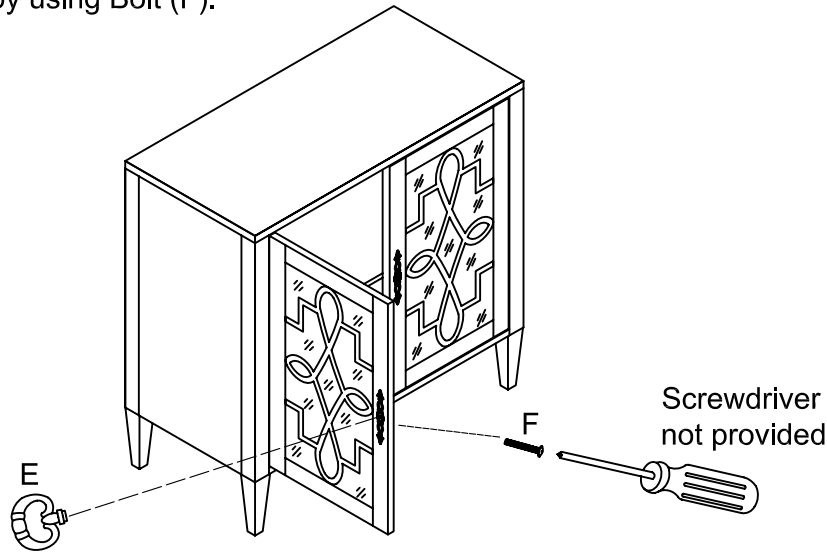
- 1 Remove the top foam and then take off the Leg (B) from the inside of the Foam as below drawing, and then attach the Leg (B) to Cabinet Body (A).



- 2 Attach the Shelf Support (G) to the side panel and then attach the Shelf (C) to the Shelf Support (G). Attach the Wine Rack (D) to the bottom panel of the cabinet by using Metal Screw (H).

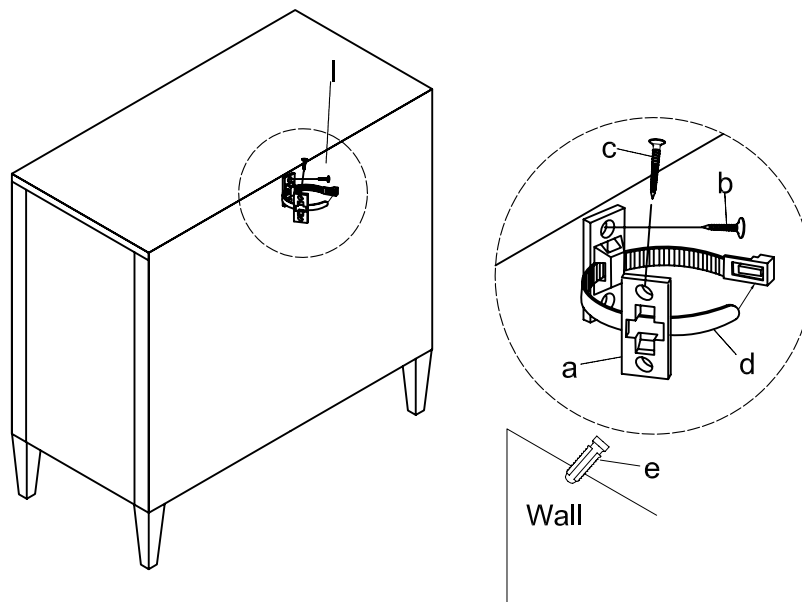


- 3 Remove the Handle (E) with Bolt (F) from the inside of the door and then attach the Handle (E) to the front door by using Bolt (F).



- 4 Remove the Anti-Tipping Hardware Pack (I) from inside drawer, assemble it to avoid tipping.

1. Attach one of the wall brackets (a) and secure to the back top the back edge of the cabinet using the short screw (b).
2. Mark the location on the wall for mounting the second wall bracket (a). Create appropriate sized hole in the wall and insert the plastic screw anchor (e). Secure the bracket (a) to the wall using the long screw (c).
3. Place the furniture to the bracket (a) on the back edge of unit is line with the bracket (a) on the wall.
4. Lace an end of the nylon strap (d) down through each bracket, check to make sure the strap is securely laced and loaded to the brackets.



#### Cleaning & Care

Treat surface with care. Surface is resistant to scratches but is not scratch resistant. Clean surfaces with a dry or damp soft cloth. Do not use abrasive cleaners. Hardware may loosen over time. Periodically check that all connections are tight.