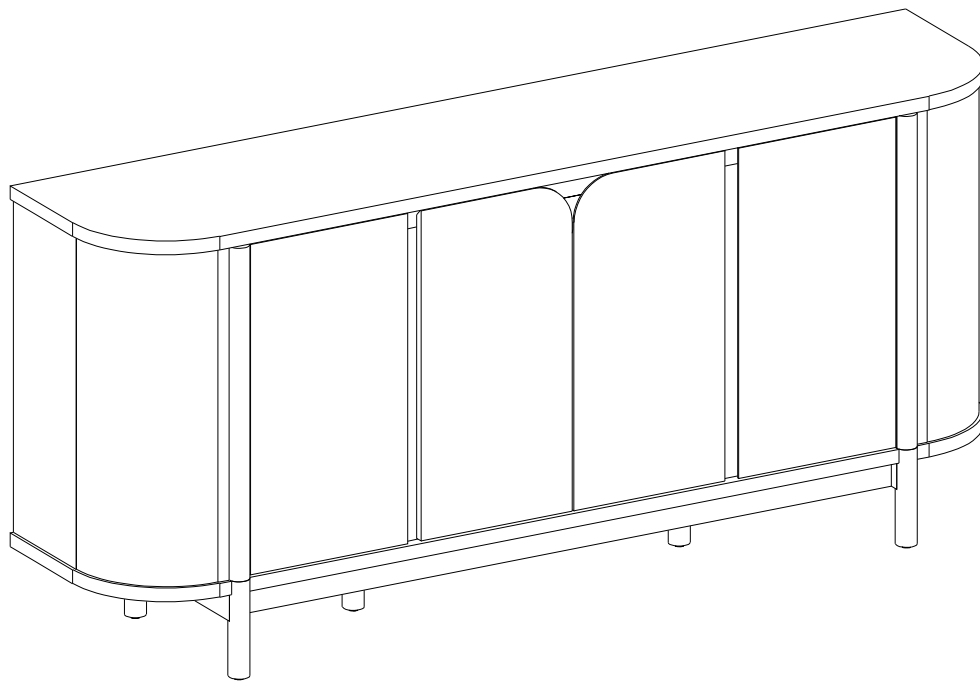


WALKER EDISON
TM

Ezra 70" Sideboard

SKU# WEEZR11704



For Residential Use Only

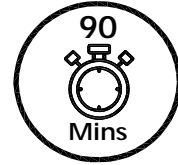
Please visit our website for the most current instructions, assembly tips, report damage, or request parts. www.walker-edison.com



Time to get started

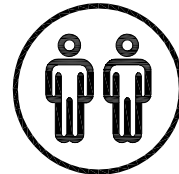
Set up a clean and soft workplace to get started and avoid damage during the assembly. It also helps to double-check that you've got all the pieces and parts before diving in to assembly.

Estimated time for assembly



People recommended for assembly

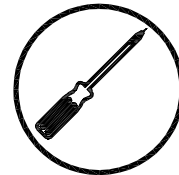
Make it a team effort! Grab a friend for quicker, easier assembly.



2 People Build

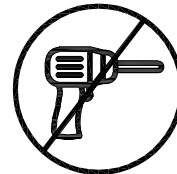
Tools Needed

Grab a Phillips head screwdriver to conquer this assembly



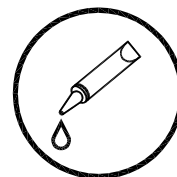
Use power tools with caution

You can cause cracking or damage to the material and easily strip the hardware. If you choose to use a power tool, your product will no longer be covered under Walker Edison's warranty.



Glue is provided to secure wood dowels in place

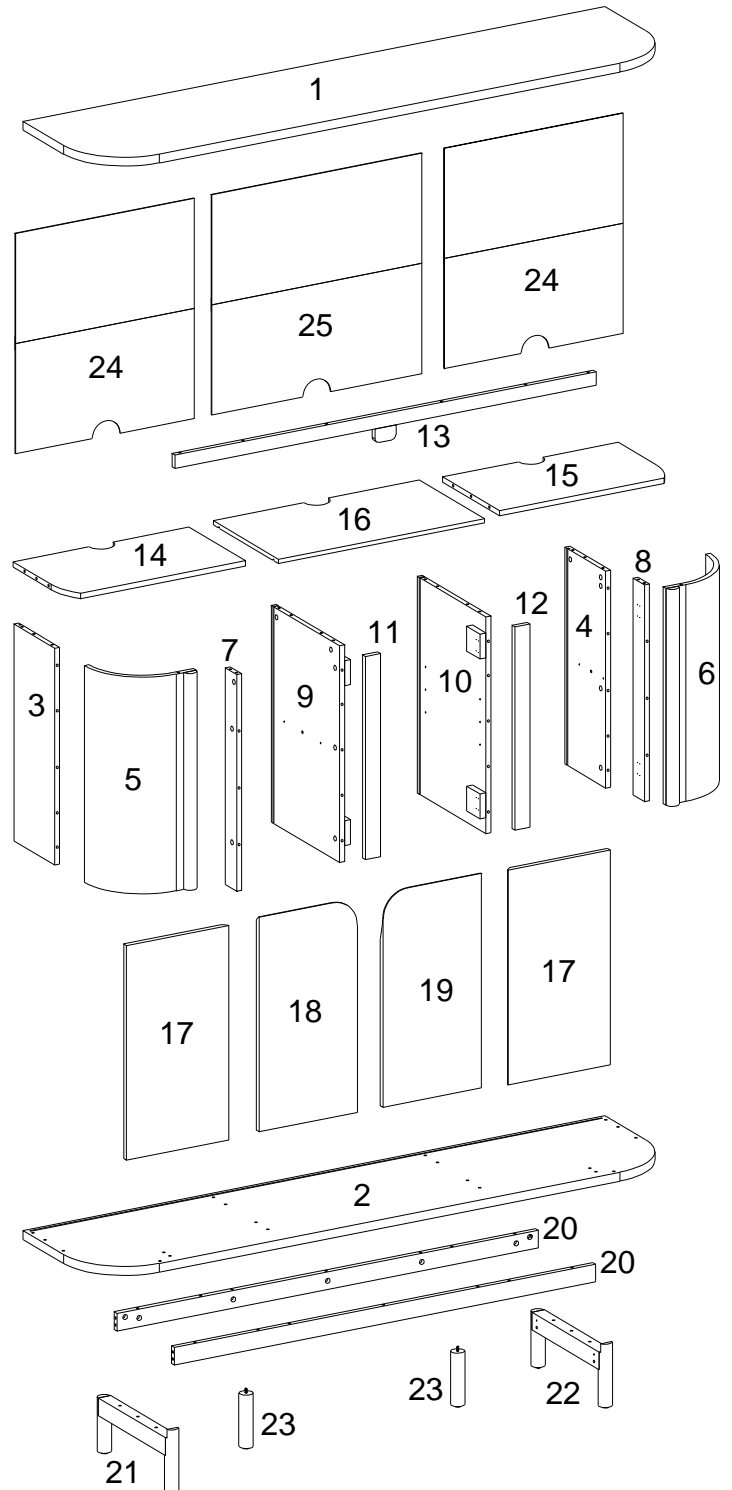
When inserting dowels, locate the appropriate hole, place a small amount of glue in the hole, and then insert the dowel. Wipe away excess glue immediately.




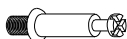



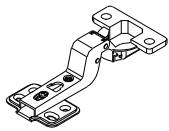
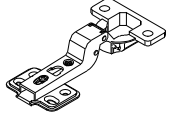

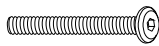



Scan to get assembly tips and help!

WE Parts List

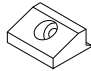
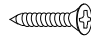




Part Number	Description	Quantity
1	Top Panel	1
2	Bottom Panel	1
3	Left Panel	1
4	Right Panel	1
5	Left Front Panel	1
6	Right Front Panel	1
7	Left Trim	1
8	Right Trim	1
9	Left Dividing Panel	1
10	Right Dividing Panel	1
11	Middle Left Trim	1
12	Middle Right Trim	1
13	Top Trim	1
14	Left Shelf	1
15	Right Shelf	1
16	Middle Shelf	1
17	Side Door	2
18	Left Center Door	1
19	Right Center Door	1
20	Apron	2
21	Left leg	1
22	Right Leg	1
23	Middle Foot	2
24	Side Back Panel	2
25	Middle Back Panel	1



WE Hardware List

Part	Size	Name	Quantity
A	 8x30mm	Wooden dowel	42
B	 6x35mm	Cam bolt	54
C	 15x11mm	Cam lock	54
D	 30mm	Sticker	54
E	 8x2mm	Rubber pad	4
F	 35mm	European hinge	4
G	 35mm	European hinge	4
H	 3.5x14mm	Screw	48
J	 6x50mm	Bolt	4
K	 6x50mm	Bolt	12
L	 M4x57mm	Hex key	1
M	 8x5x16mm	Shelf support pin	4

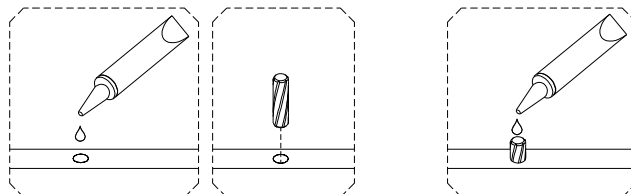
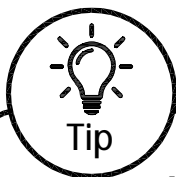
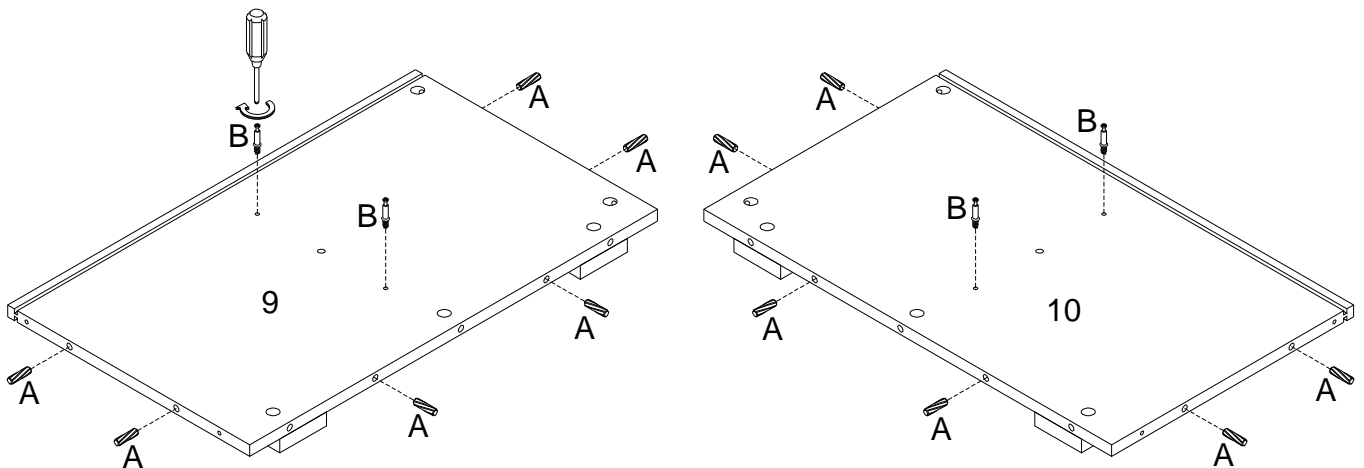
Hardware List

Part	Size	Name	Quantity
N		Plastic wedge	24
P	 3x17mm	Screw	24
Q	 4x12mm	Screw	2
R	 4x25mm	Screw	2
S		Plastic strap	2
T		Wall Anchor	2
U		Glue tube	2

The hardware quantities listed above are required for proper assembly.
Extra hardware pieces may be included.

Step 1

Let's get started! Screw Cam Bolts (B) and insert Wooden Dowels (A) into the Left and Right Dividing Panels (9 & 10).

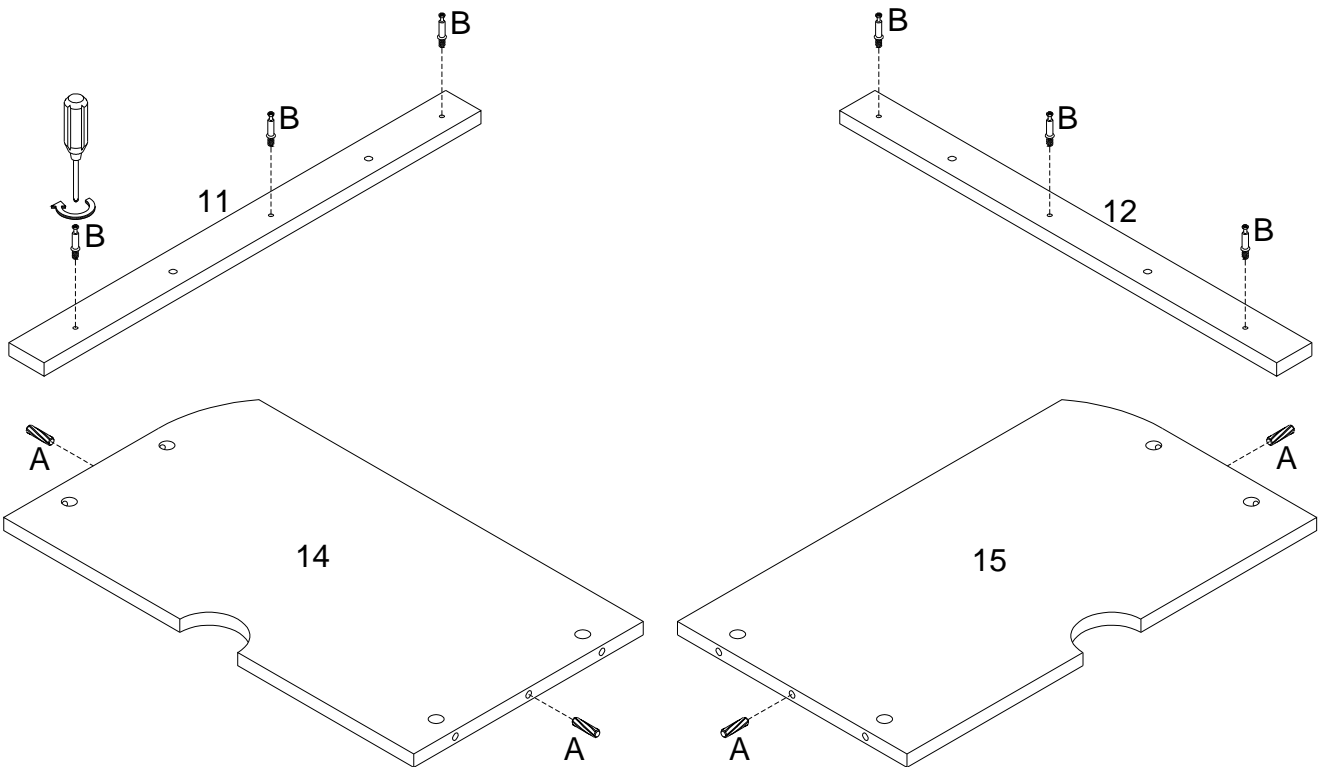


1: The provided glue is to secure wood dowels in place. When first inserting dowels, locate the appropriate hole for the dowel, place a small amount of glue in the hole and insert the dowel. Wipe away excess glue immediately.

2: In future assembly steps when dowels are necessary to attach assembly parts together, place a small amount of glue on the end of the dowel before attaching parts together. Wipe away excess glue immediately.

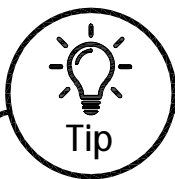
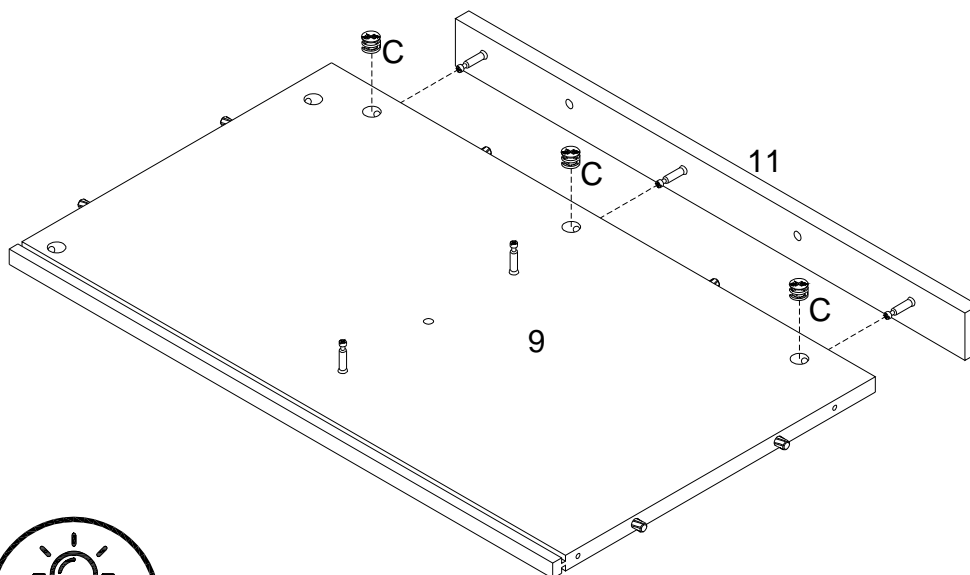
Step 2

Now, screw your Cam Bolts (B) into the Left and Right Trim Pieces (11 & 12). Then, insert Wooden Dowels (A) into the Left & Right Shelves (14 & 15).



Step 3

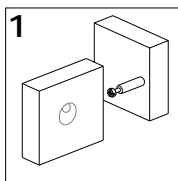
Attach the Middle Left Trim (11) to the Left Dividing Panel (9). Secure with Cam Locks (C). See the provided tip for more detailed instructions on securing cam locks.



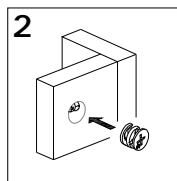
Tip

Cam Locks

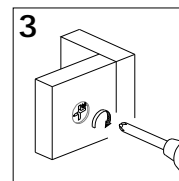
Cam Locks help securely join two pieces together. Follow these easy steps.



1: Insert Cam Bolt into bolt holes on the flat side. Don't over tighten!



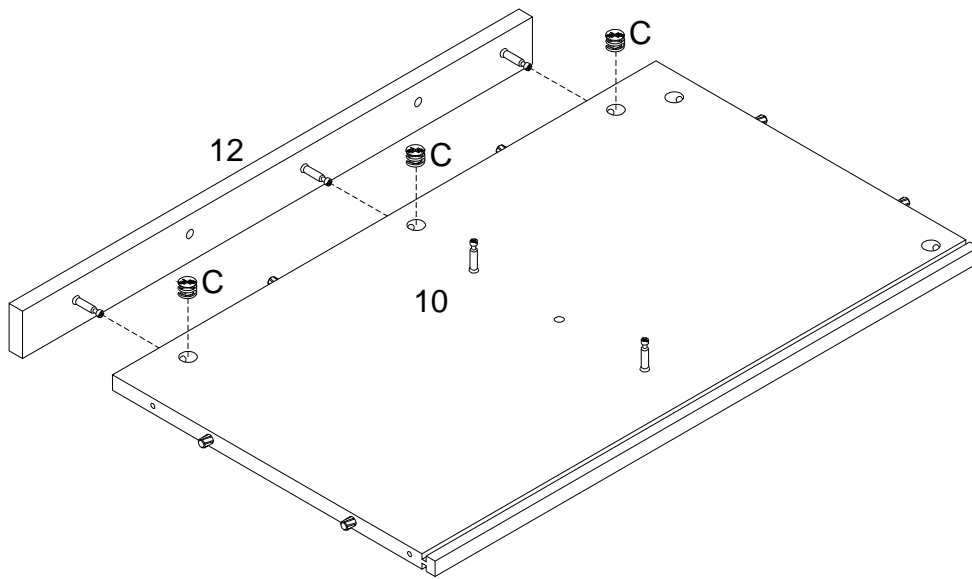
2: Fit the proper holes on the edge of the other part over the Cam Bolts. You should be able to see the cam bolts through the larger hole on the side.



3: On the back of the Cam Lock will be a "C" shape. Insert the Cam Lock so the opening of the "C" fits over the Cam Bolt. Tighten with the screwdriver.

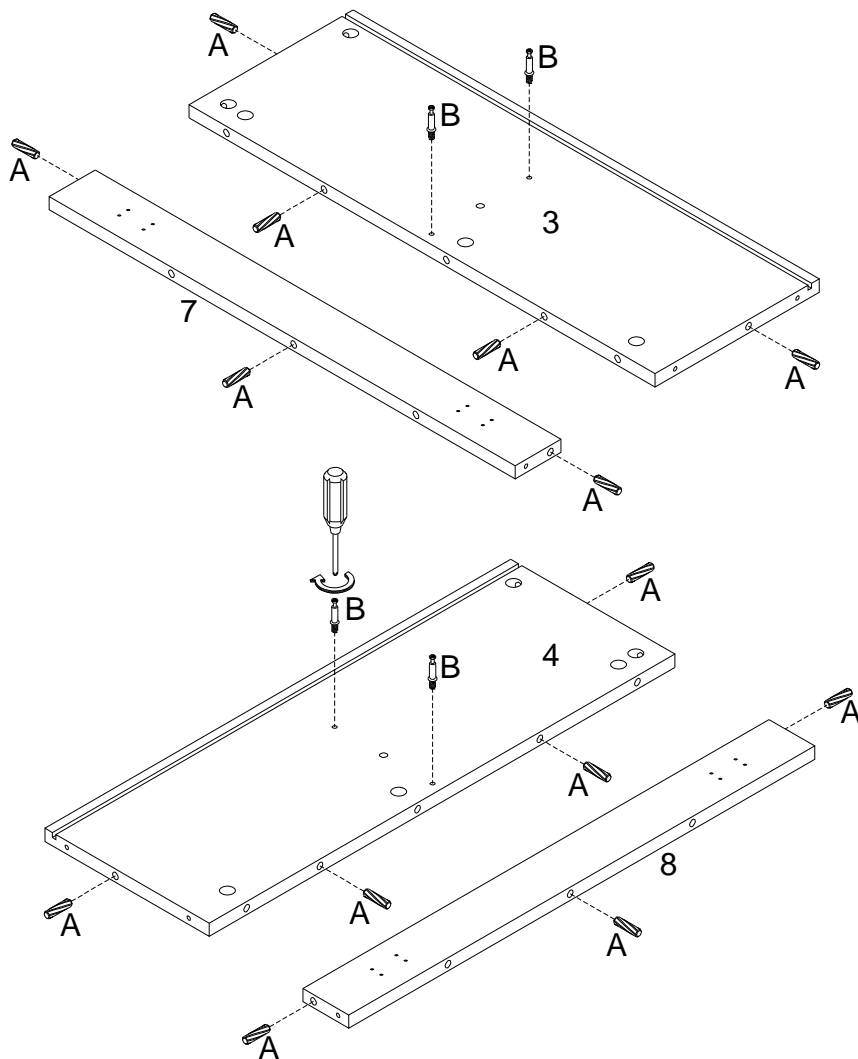
Step 4

Now repeat for the other side. Attach the Middle Right Trim (12) to the Right Dividing Panel (10). Secure with Cam Locks (C).



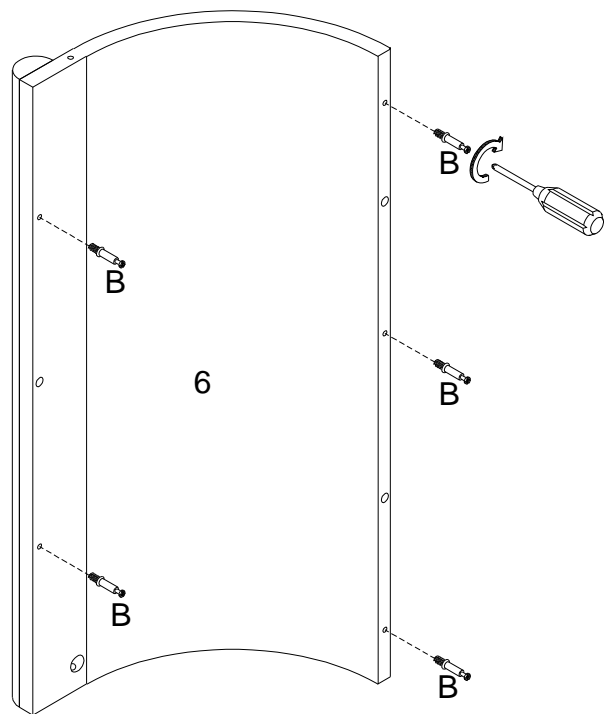
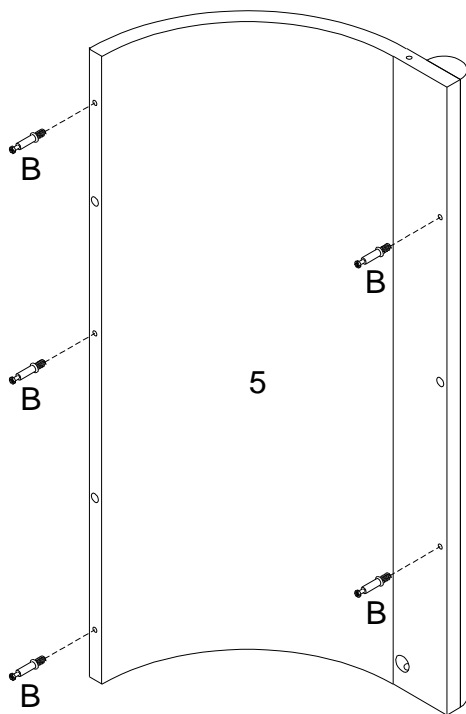
Step 5

Insert Wooden Dowels (A) and screw Cam Bolts (B) into the Left and Right Panels (3 & 4). Insert more Wooden Dowels (A) into the Left and Right Trim pieces (7 & 8).



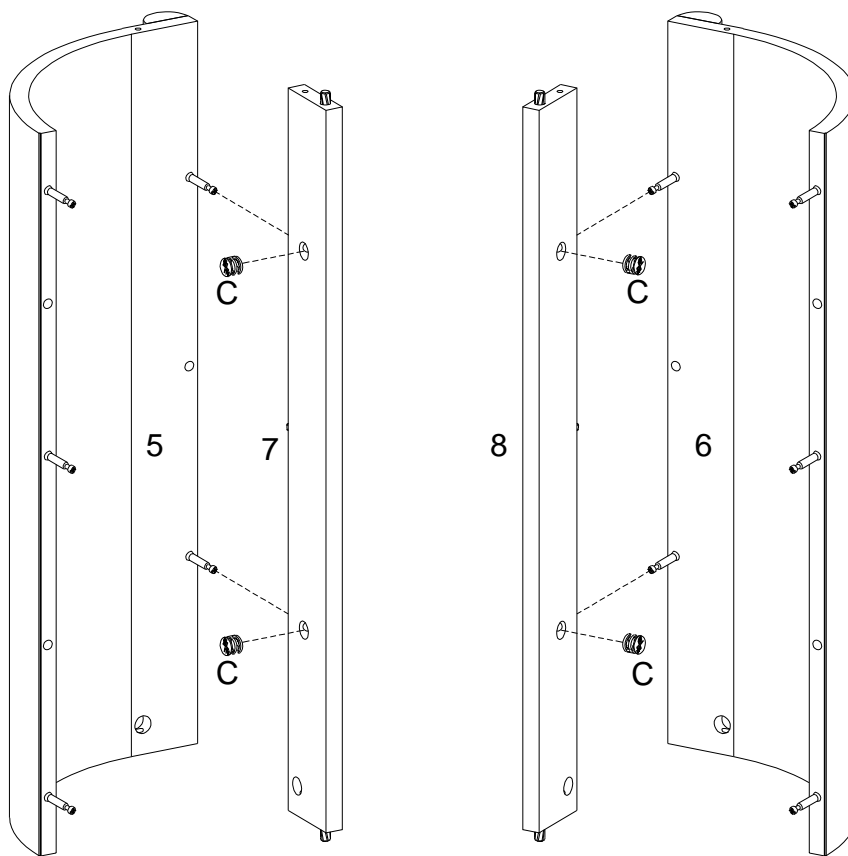
Step 6

Screw more Cam Bolts (B) into both the Left and Right Front Panels (5 & 6).



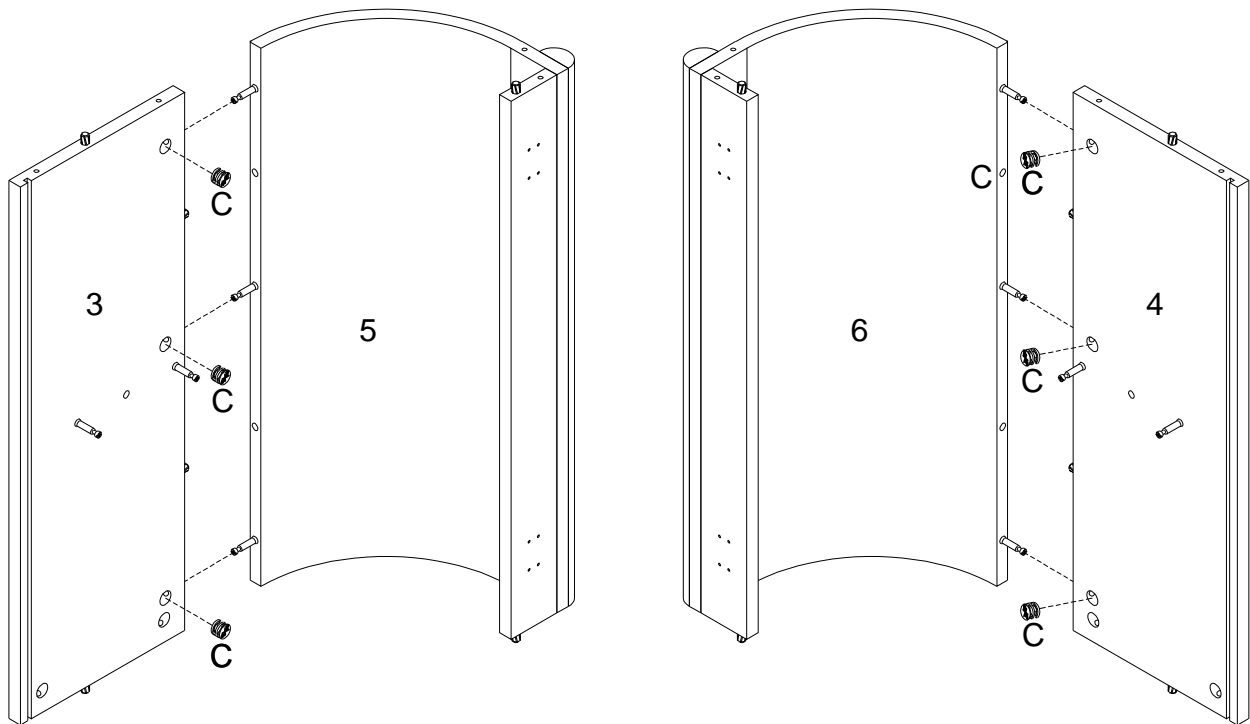
Step 7

Next, you will attach the Left and Right Trim (7 & 8) to the Left and Right Front Panels (5 & 6). Use the graphic to ensure you are getting proper placement.



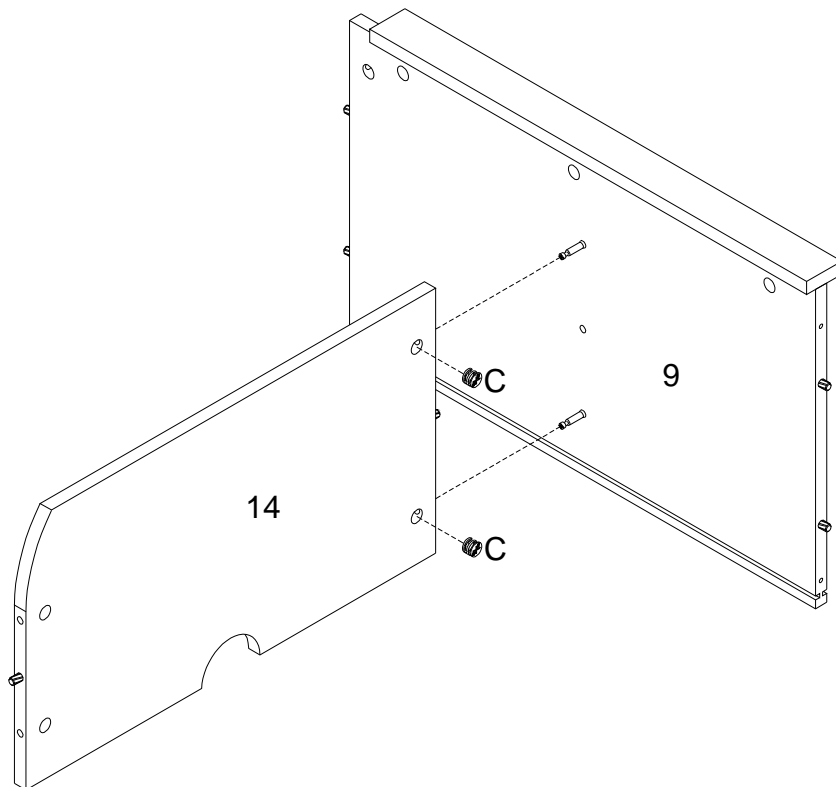
Step 8

Attach the Left Panel (3) to the Left Front Panel (5) and the Right Panel (4) to the Right Front Panel (6). Secure with Cam Locks (C).



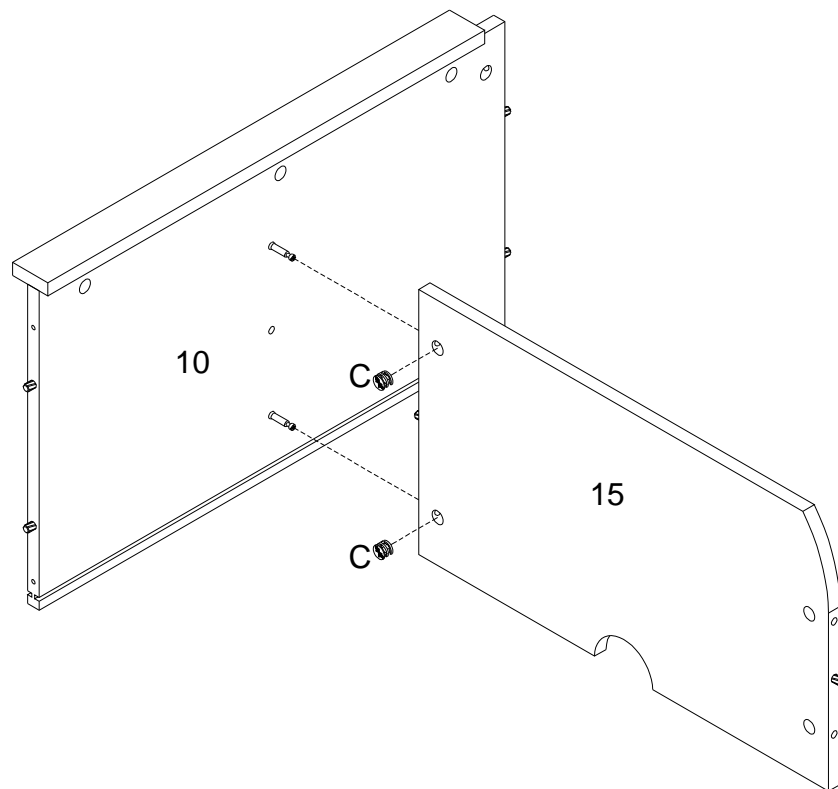
Step 9

Connect the Left Shelf (14) to the Left Dividing Panel (9) and secure with Cam Locks (C).



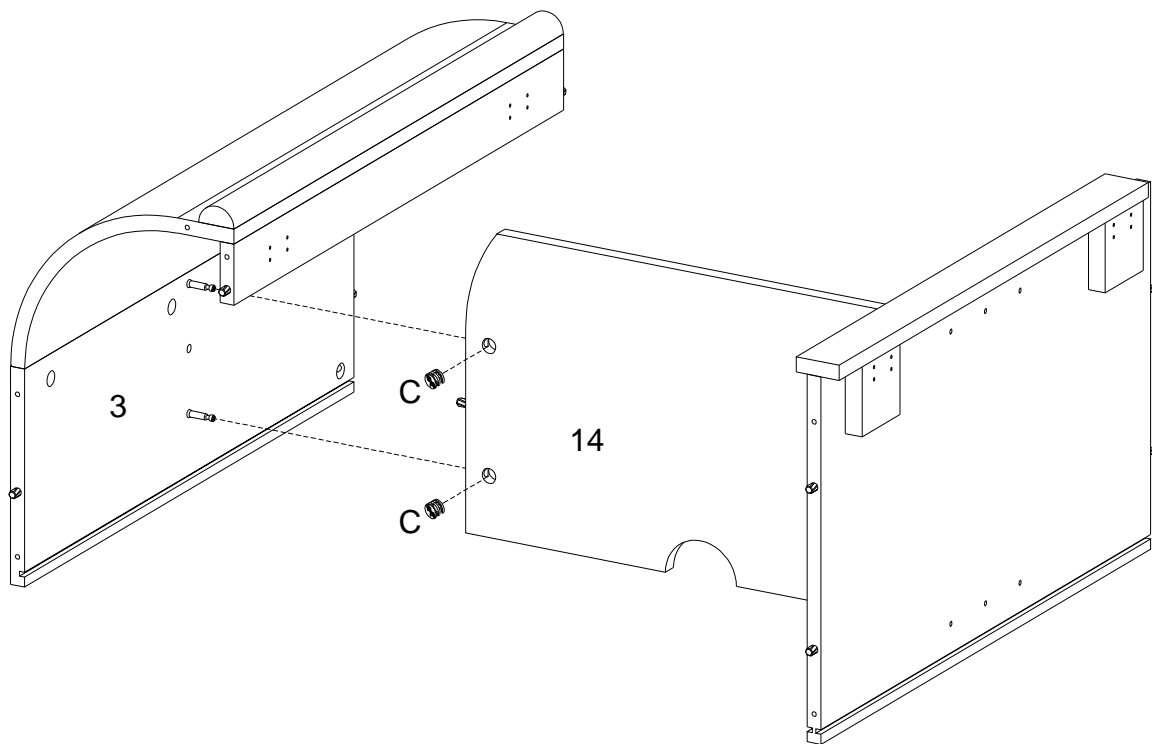
Step 10

Now, you'll repeat the same process for the other side.
Connect the Right Shelf (15) to the Right Dividing Panel (10)
and secure with Cam Locks (C).



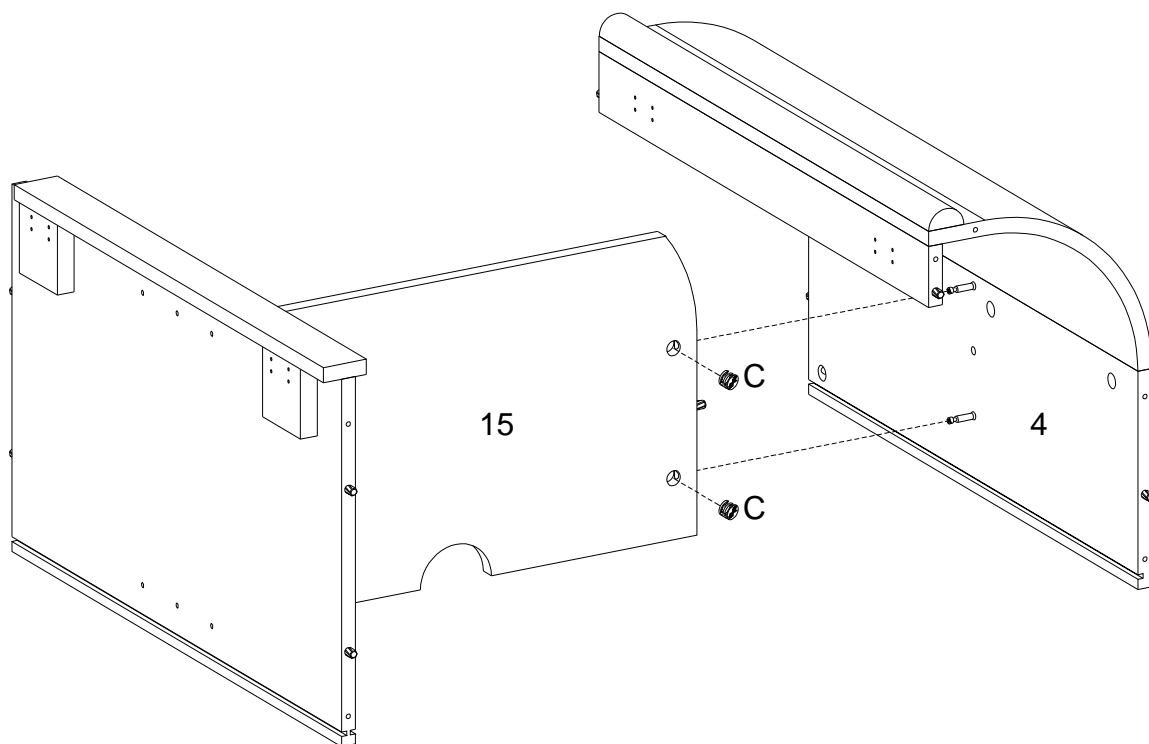
Step 11

Attach the Left Panel (3) to the Left Shelf (14) and secure with Cam Locks (C).



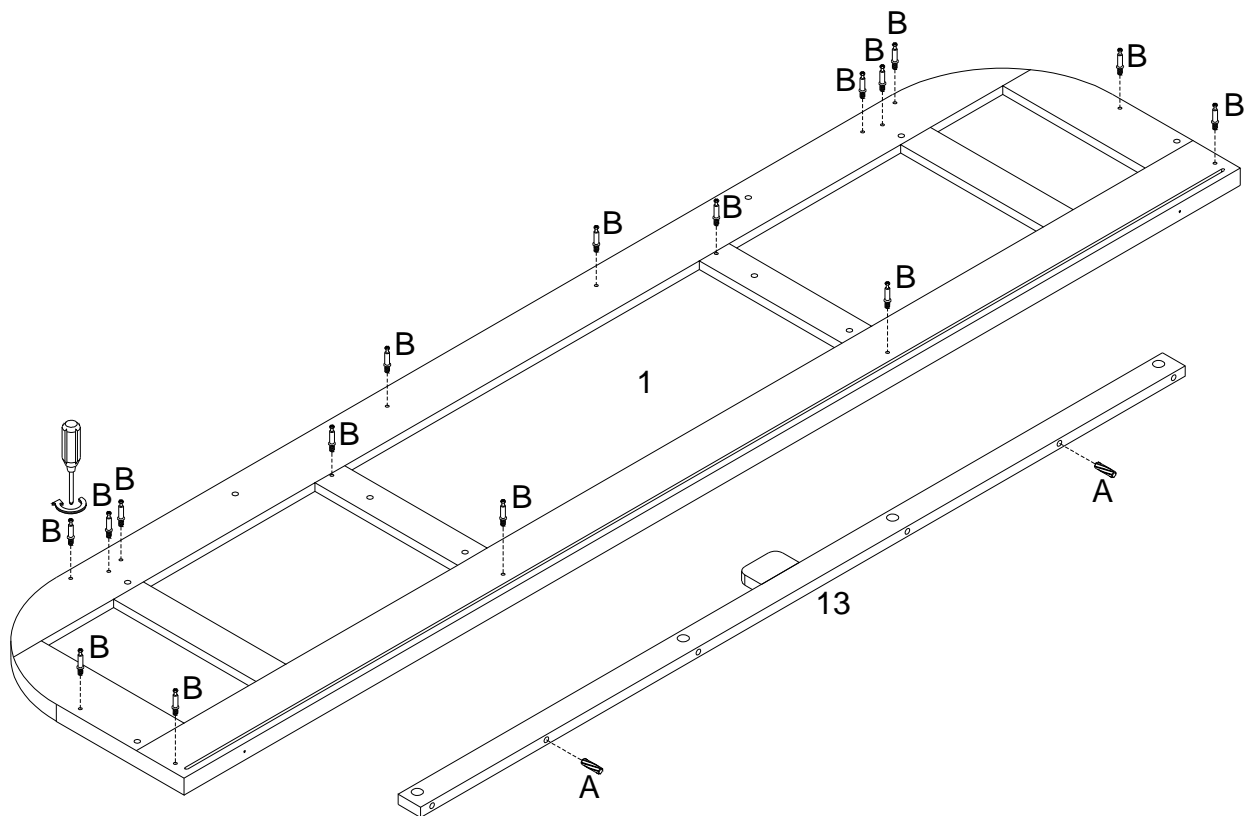
Step 12

Then, you'll attach the Right Panel (4) to the Right Shelf (15) and secure with Cam Locks (C).



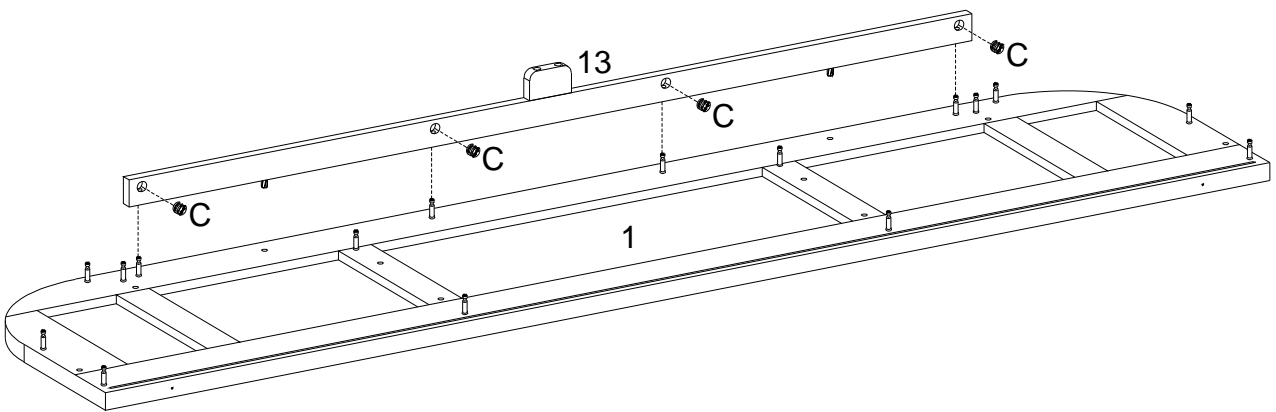
Step 13

Screw Cam Bolts (B) into the Top Panel (1). Insert Wooden Dowels (A) into the Top Trim (13).



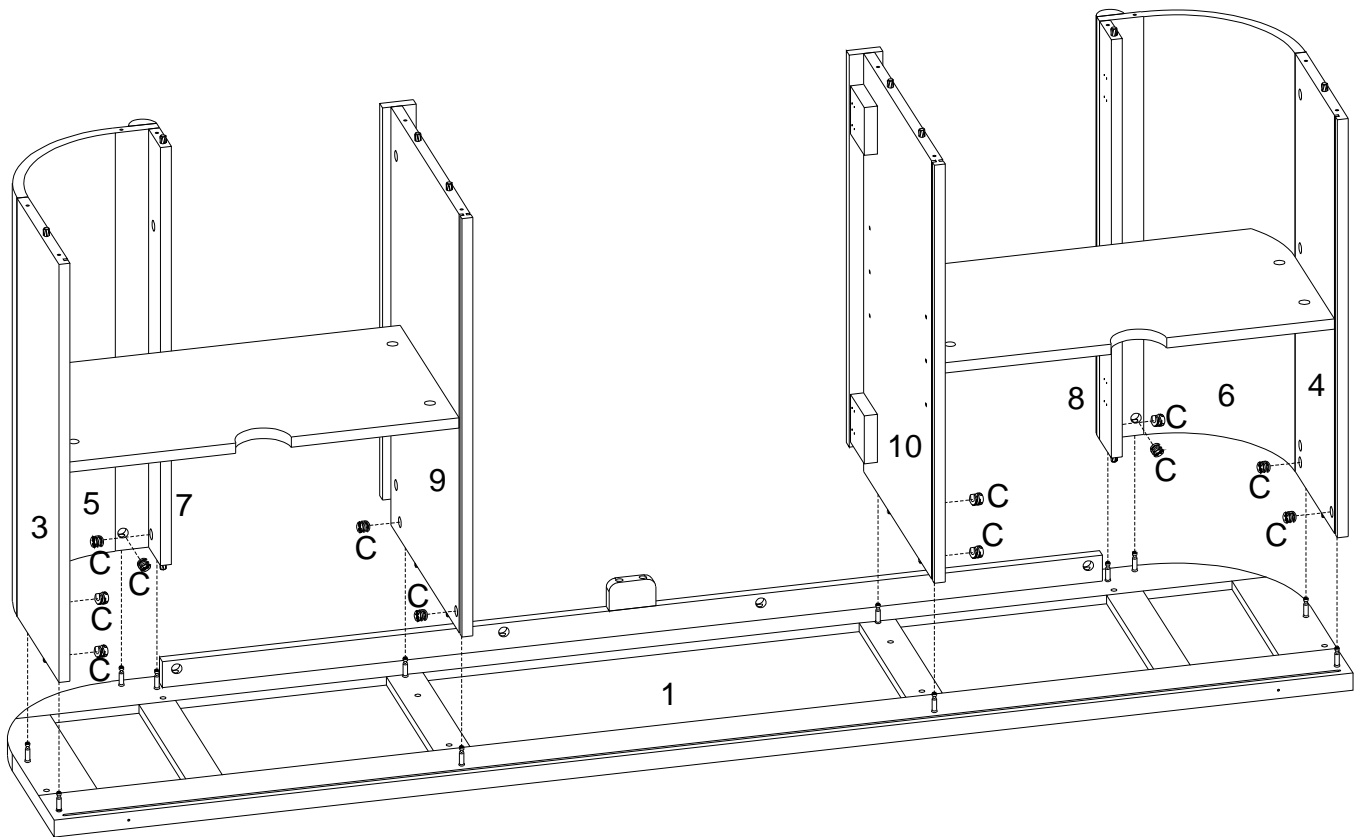
Step 14

Attach the Top Trim (13) to the Top Panel (1) and then secure with Cam Locks (C).



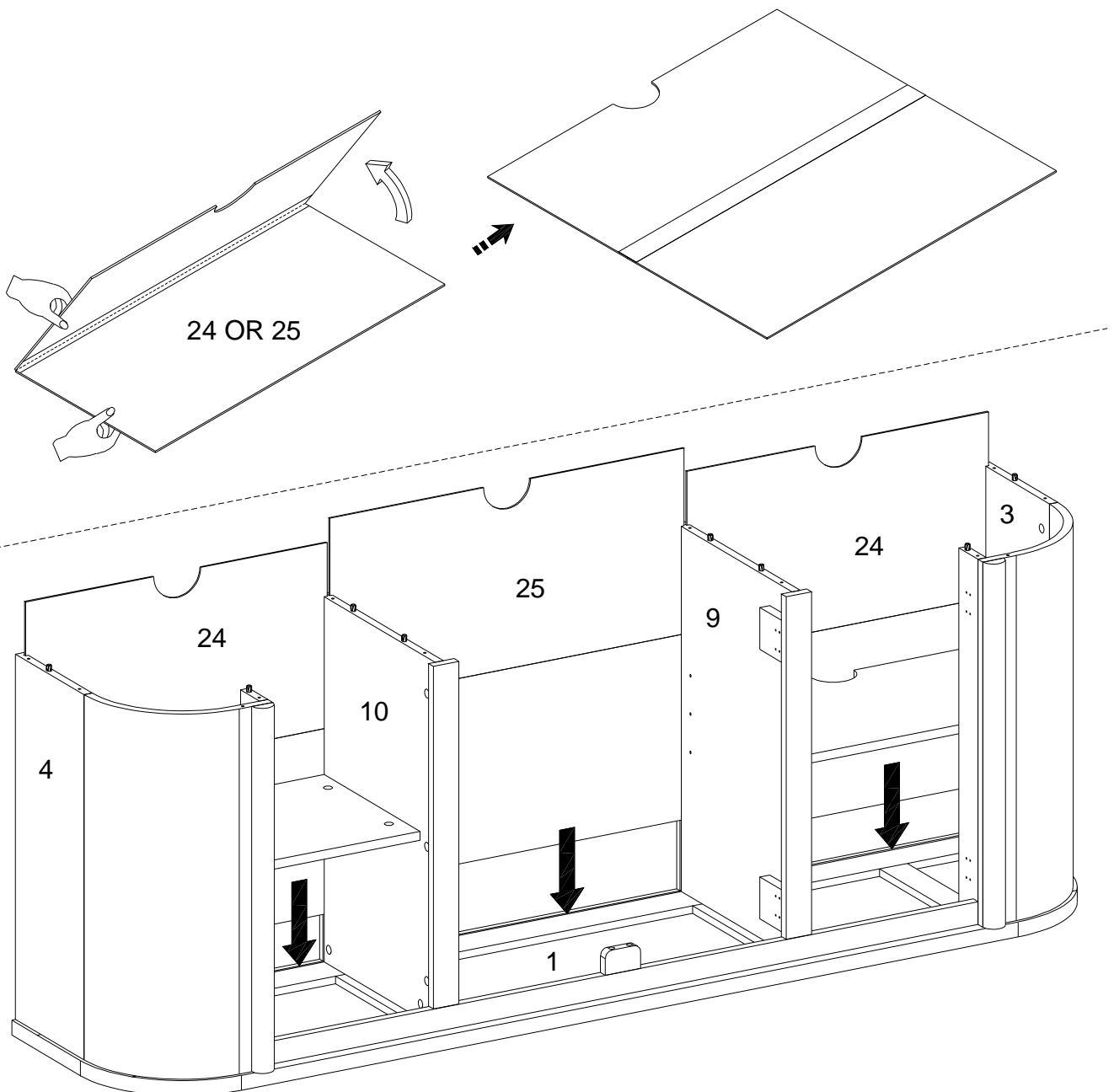
Step 15

Now attach the left and right panels to the Top Panel. On the left side, you will secure the Left Panel (3), Left Front Panel (5), Left Trim (7), and Left Dividing Panel (9) to the Top Panel (1) using Cam Locks (C). Then, repeat for the other side.



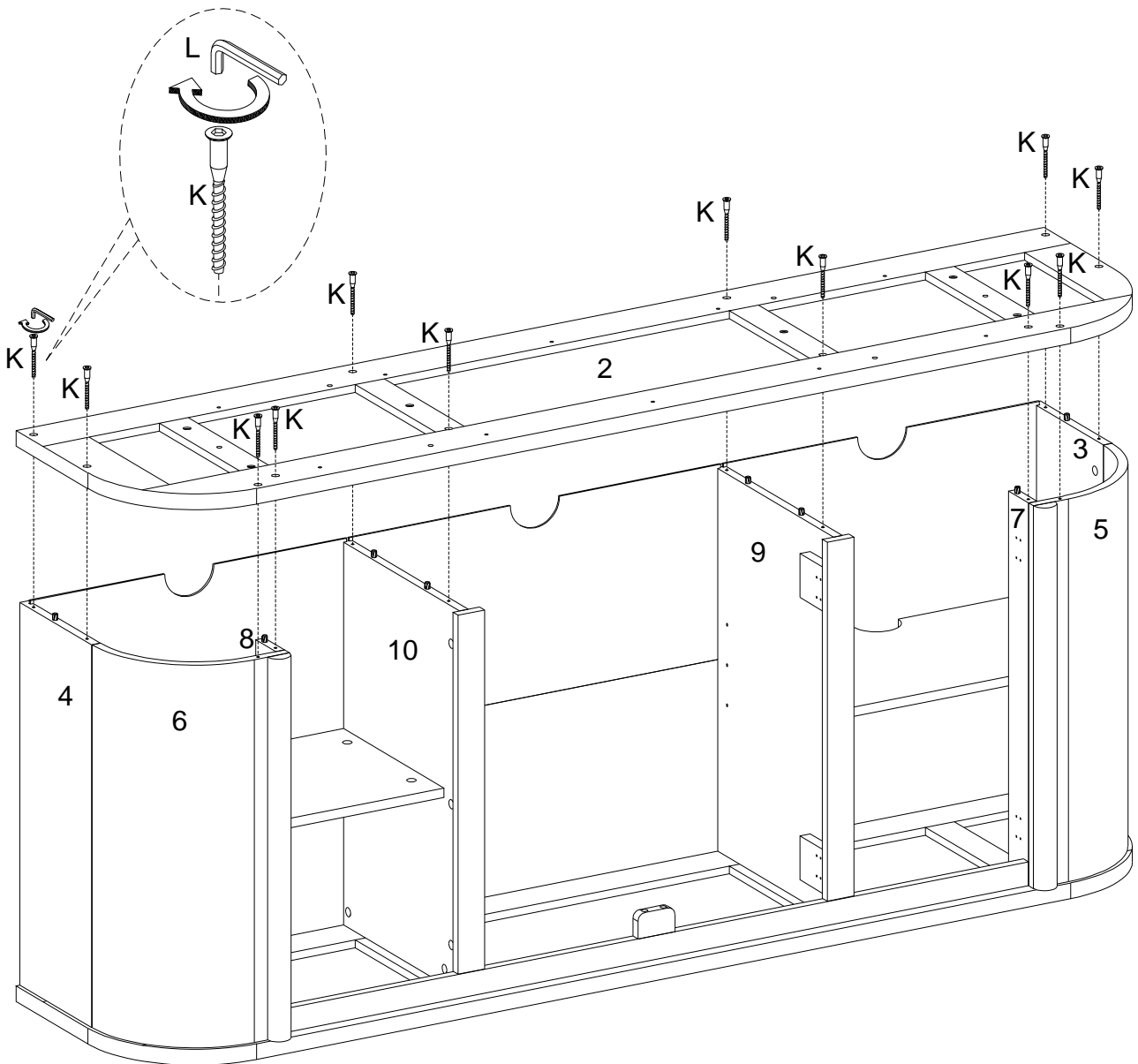
Step 16

Unfold your back panels (24, 25). Insert the Side Back Panels (24) on the left and right sides, and the Middle Back Panel (25) into the middle. Use the grooves as your guides to slide into place.



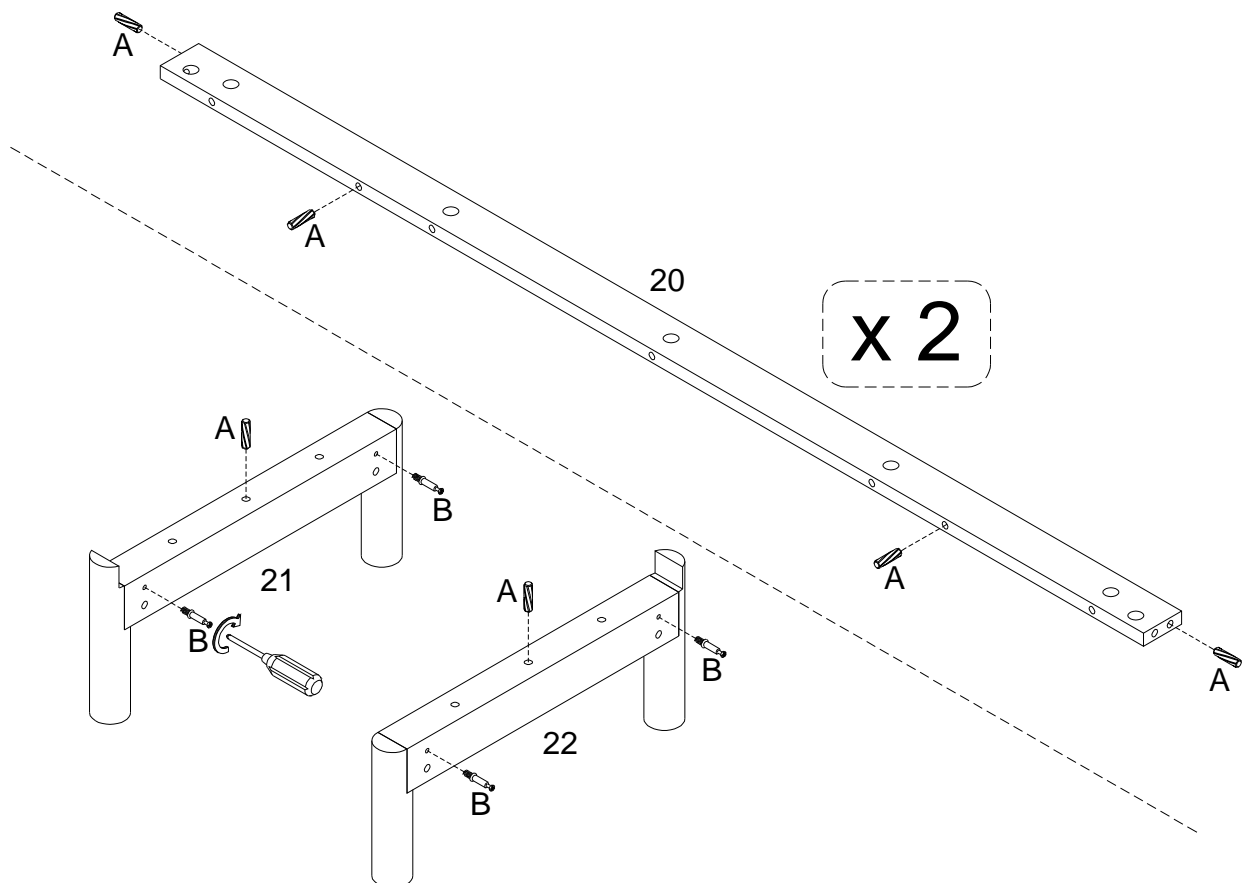
Step 17

It's time to attach the Bottom Panel (2) to the body of the sideboard. Using Bolts (K) and your Hex Key (L), secure the panel into place.



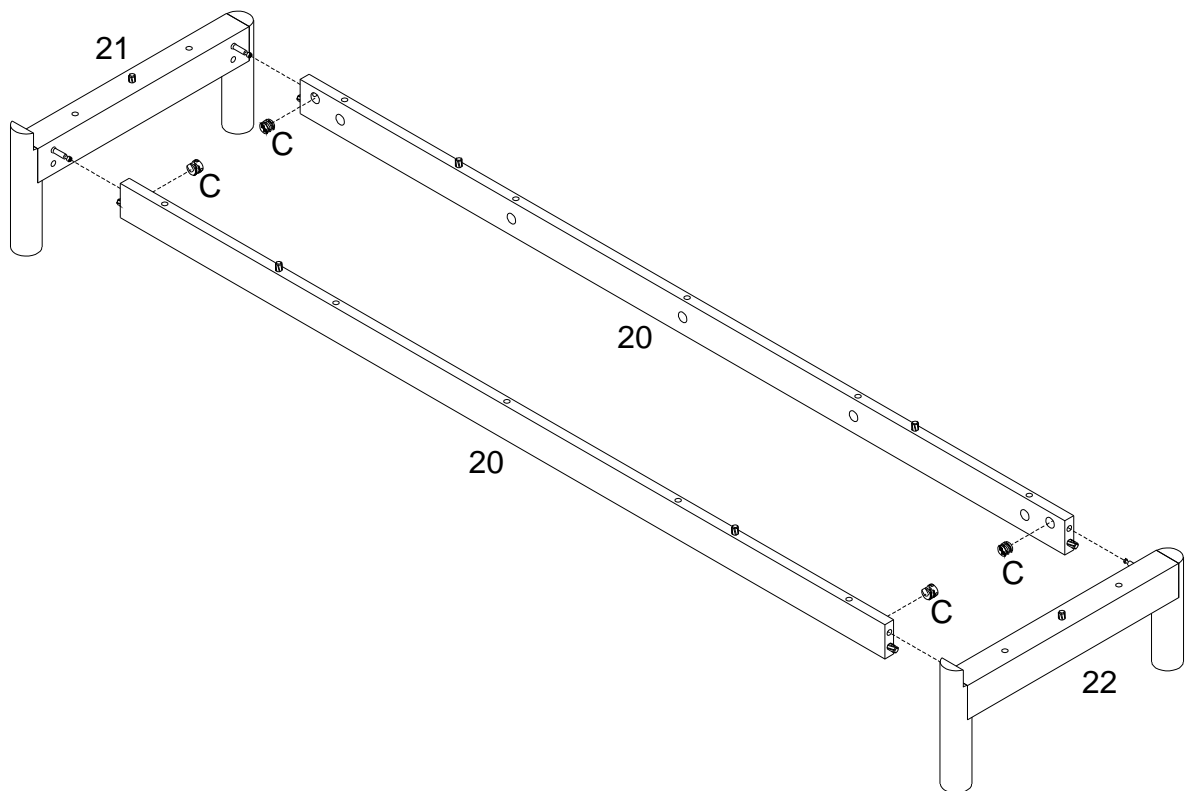
Step 18

Insert Wooden Dowels (A) into the two Apron pieces (20) and the Left and Right Legs (21 & 22). Screw Cam Bolts (B) into the legs as well.



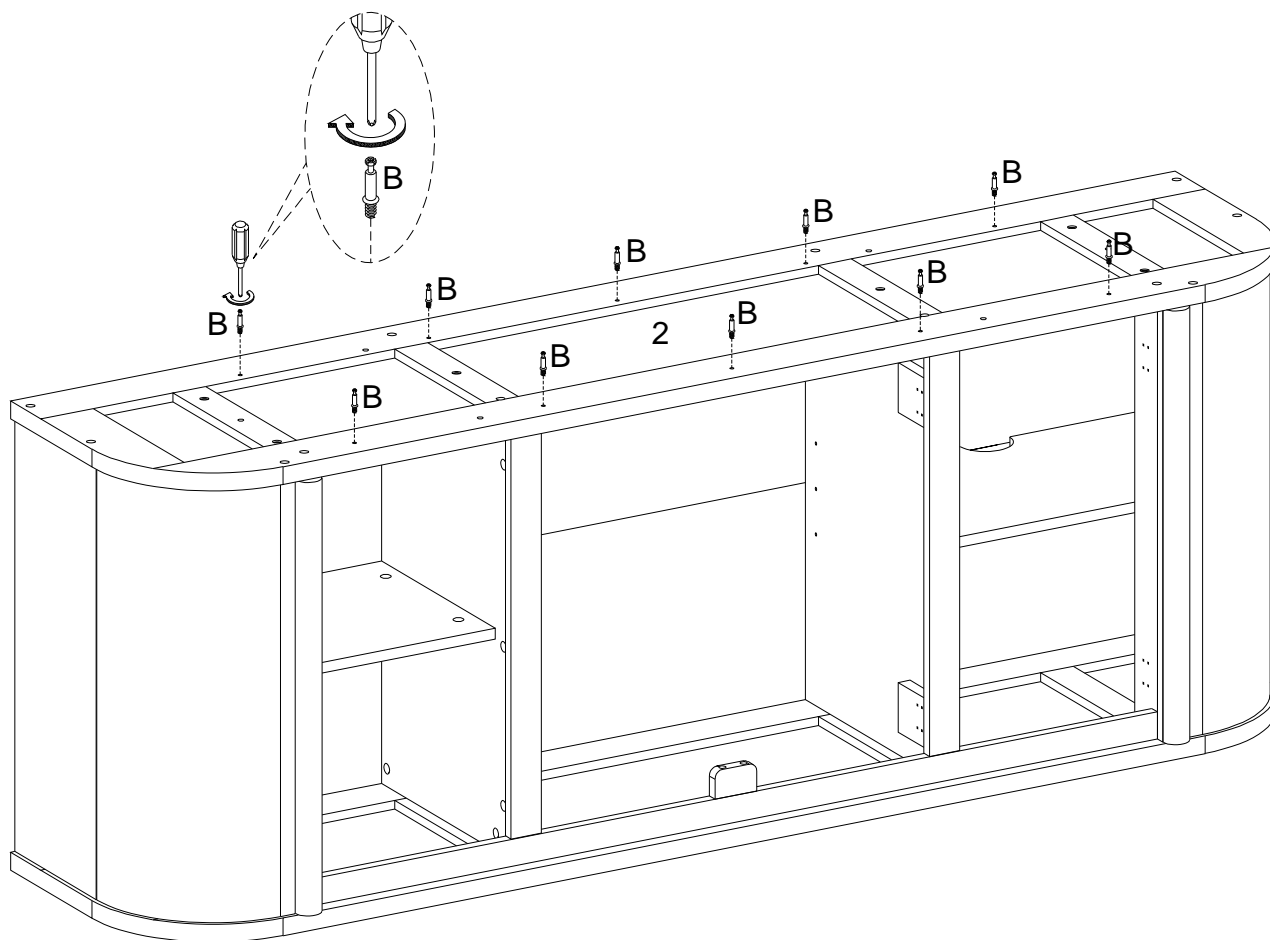
Step 19

Connect the Left and Right Legs (21 & 22) to the two Aprons (20) and secure with Cam Locks (C).



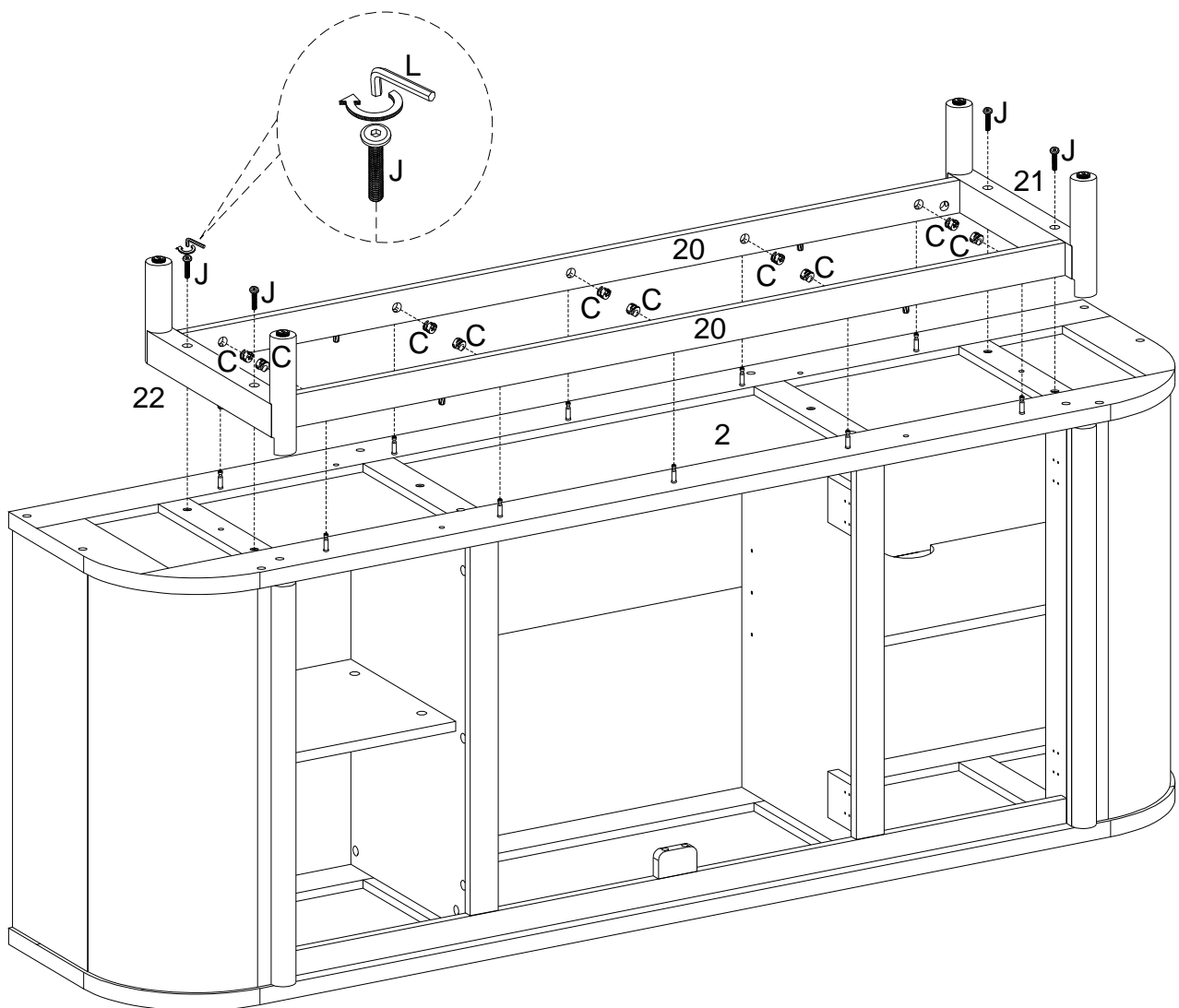
Step 20

Screw Cam Bolts (B) into the Bottom Panel (2).



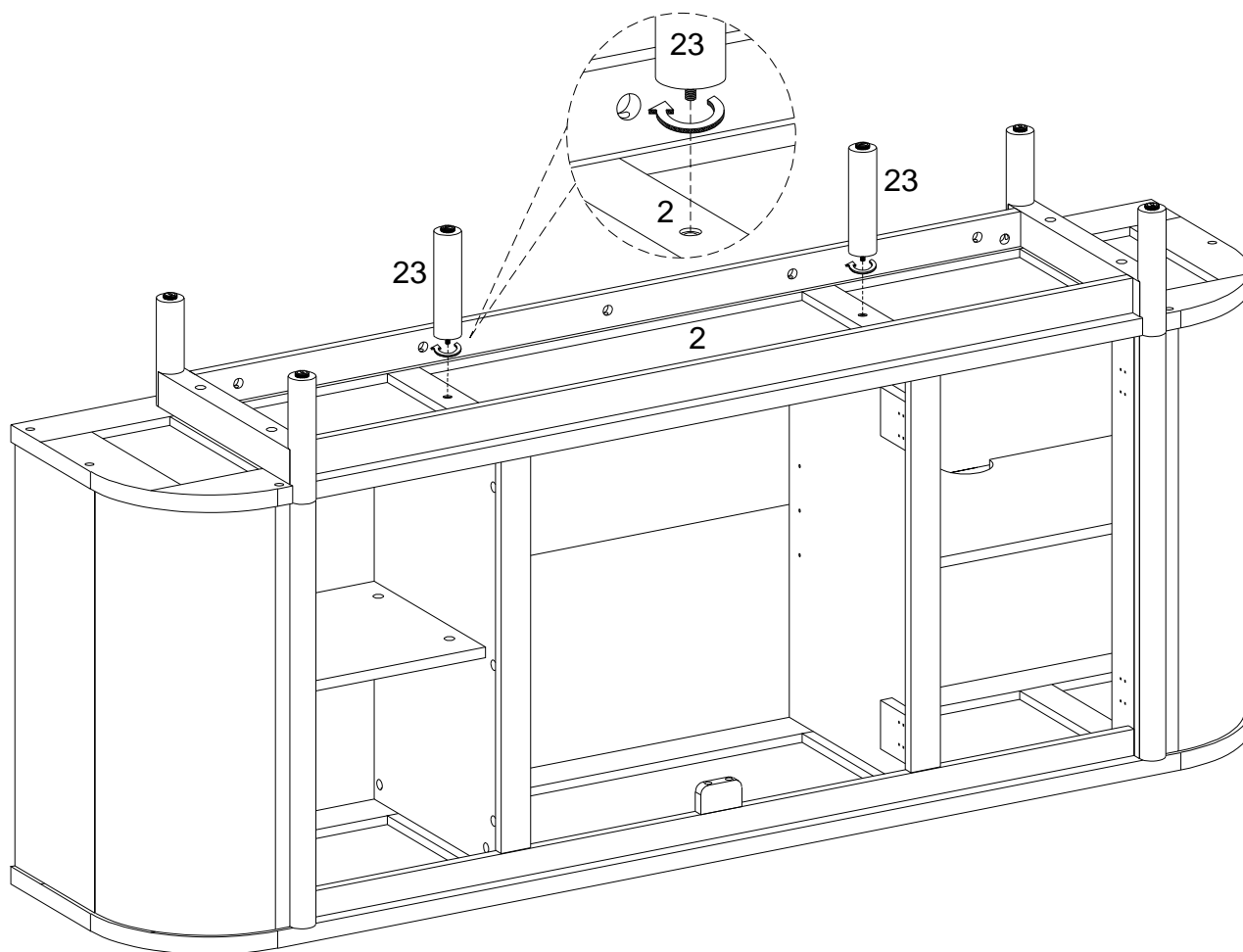
Step 21

Attach the Aprons (20) and Legs (22 & 21) to the Bottom Panel (2). Secure with Cam Locks (C) and screw into place using Bolts (J).



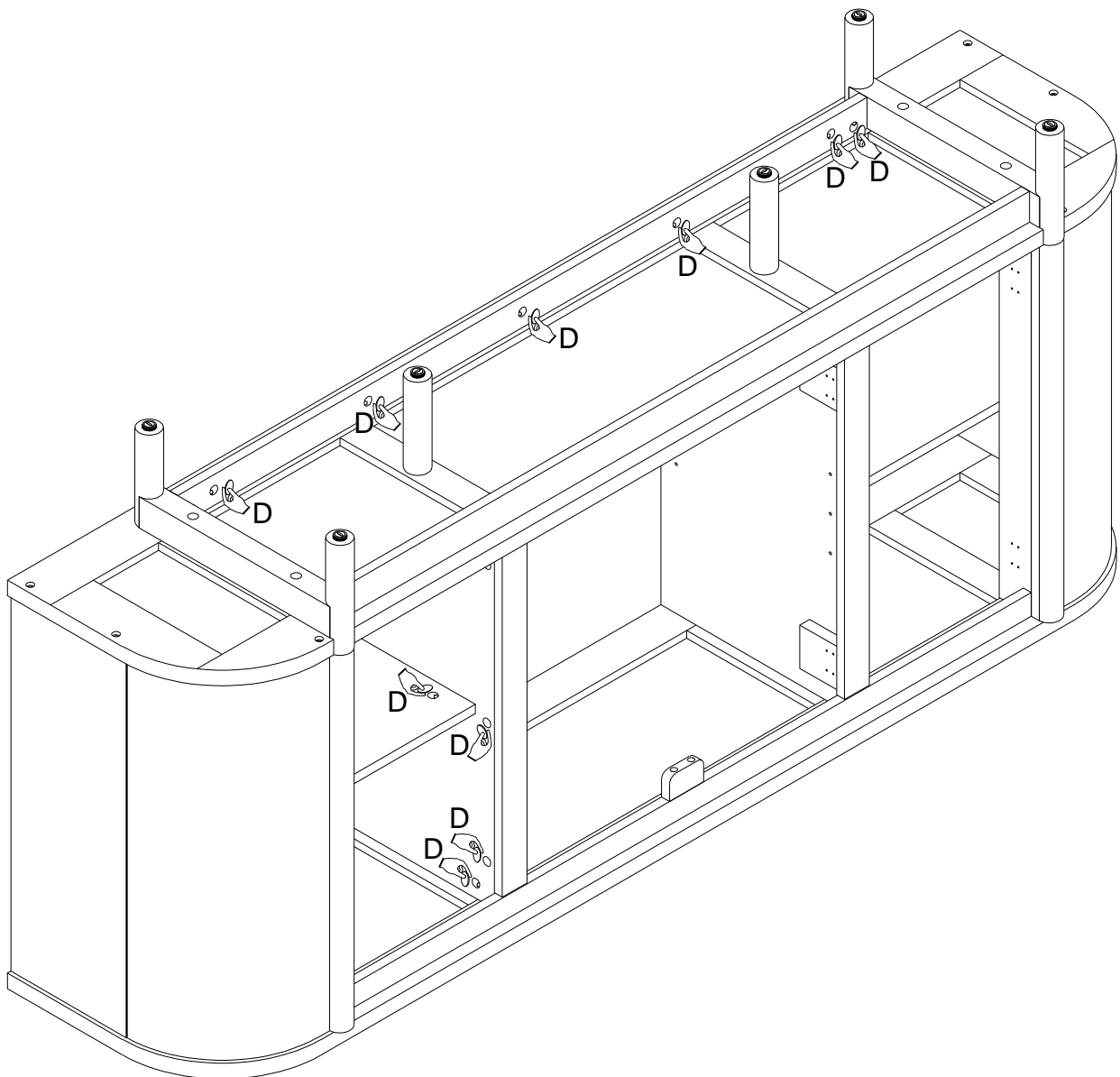
Step 22

Attach the two Middle Feet (23) to the Bottom Panel (2) by screwing them into place.



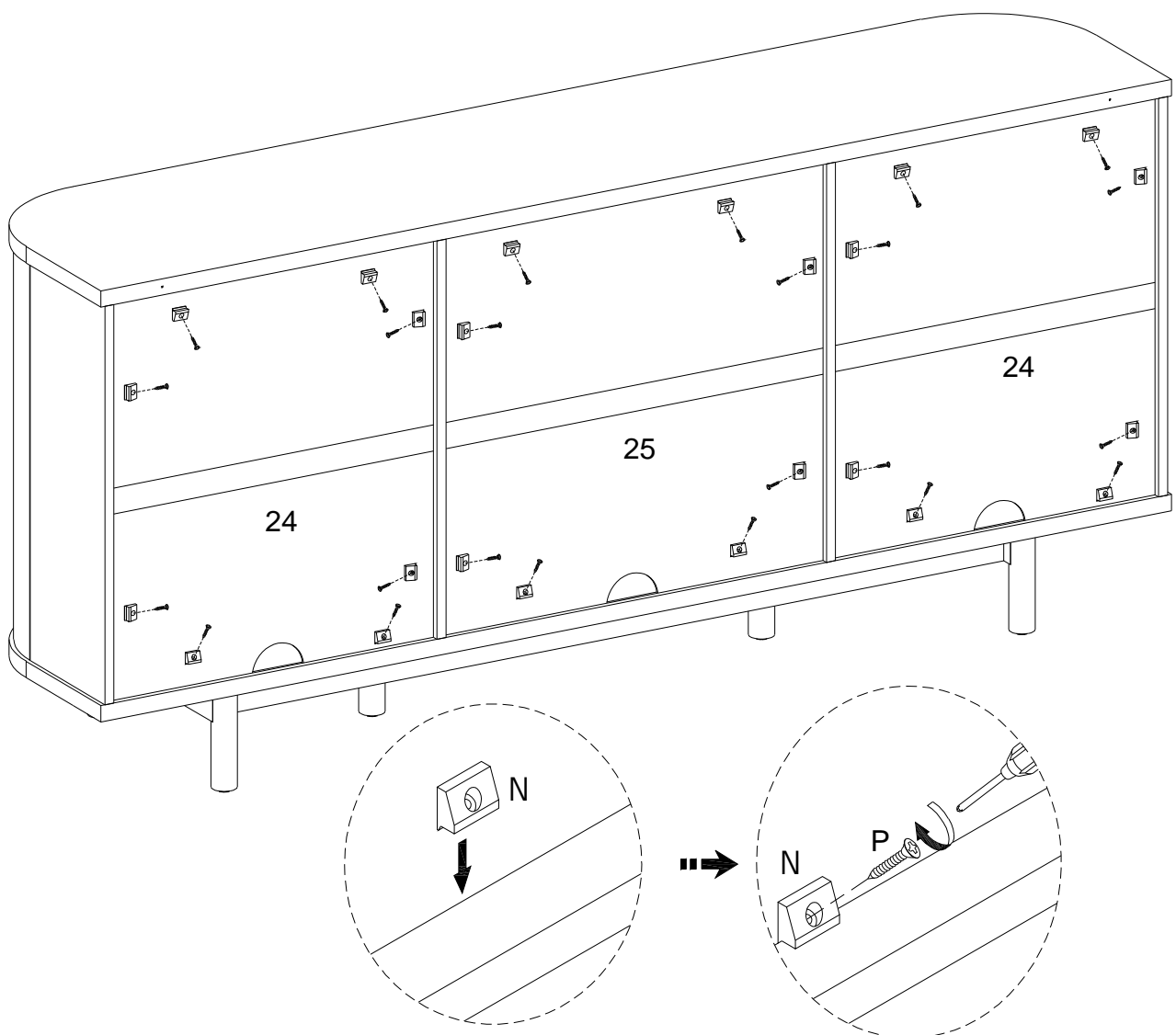
Step 23

Cover any visible Cam Locks with your Stickers (D).



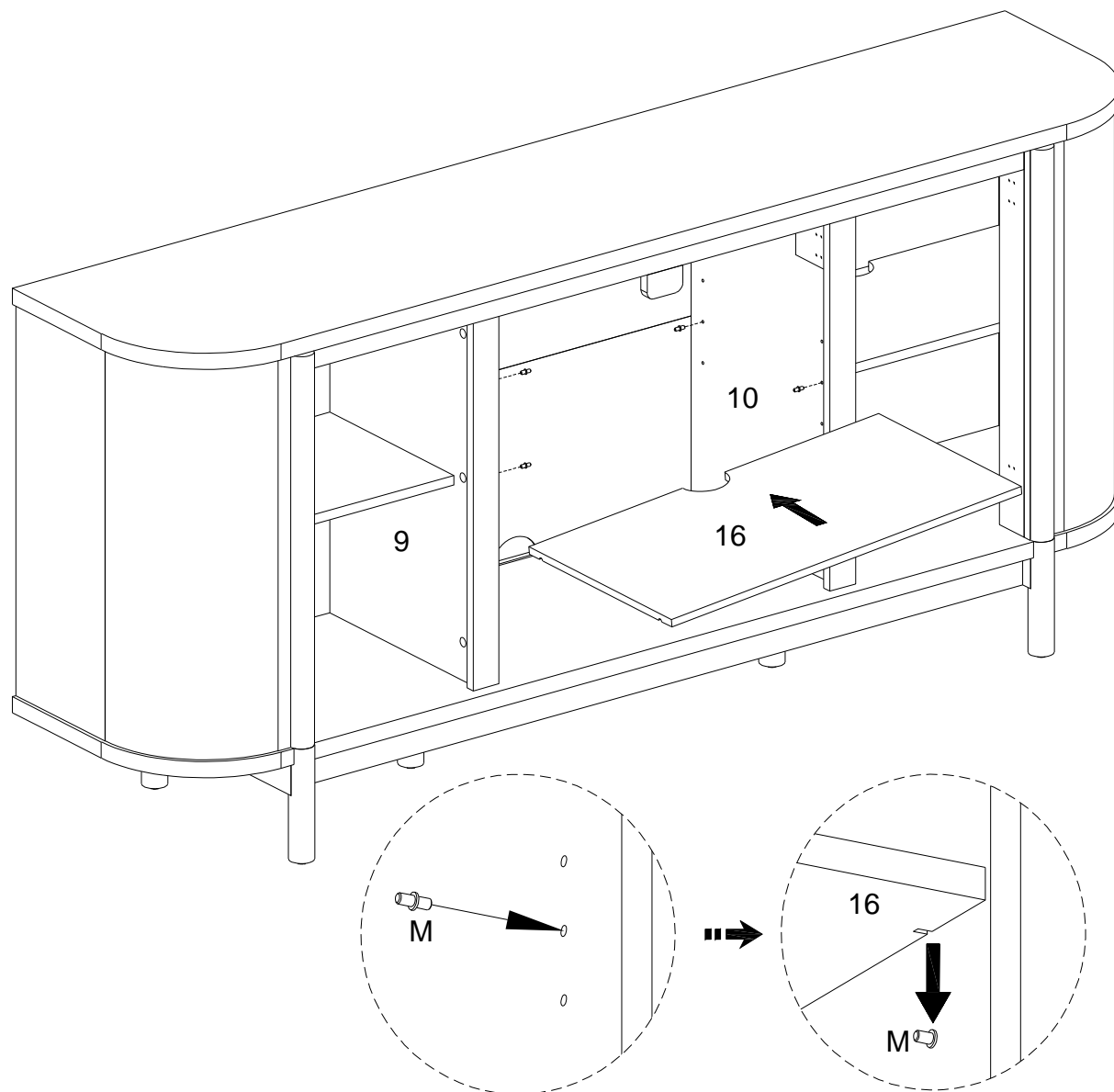
Step 24

Now insert the Plastic Wedges (N) into place by spreading evenly across the back panels. You will slide the wedge between the back panels and the frame and then secure with Screws (P).



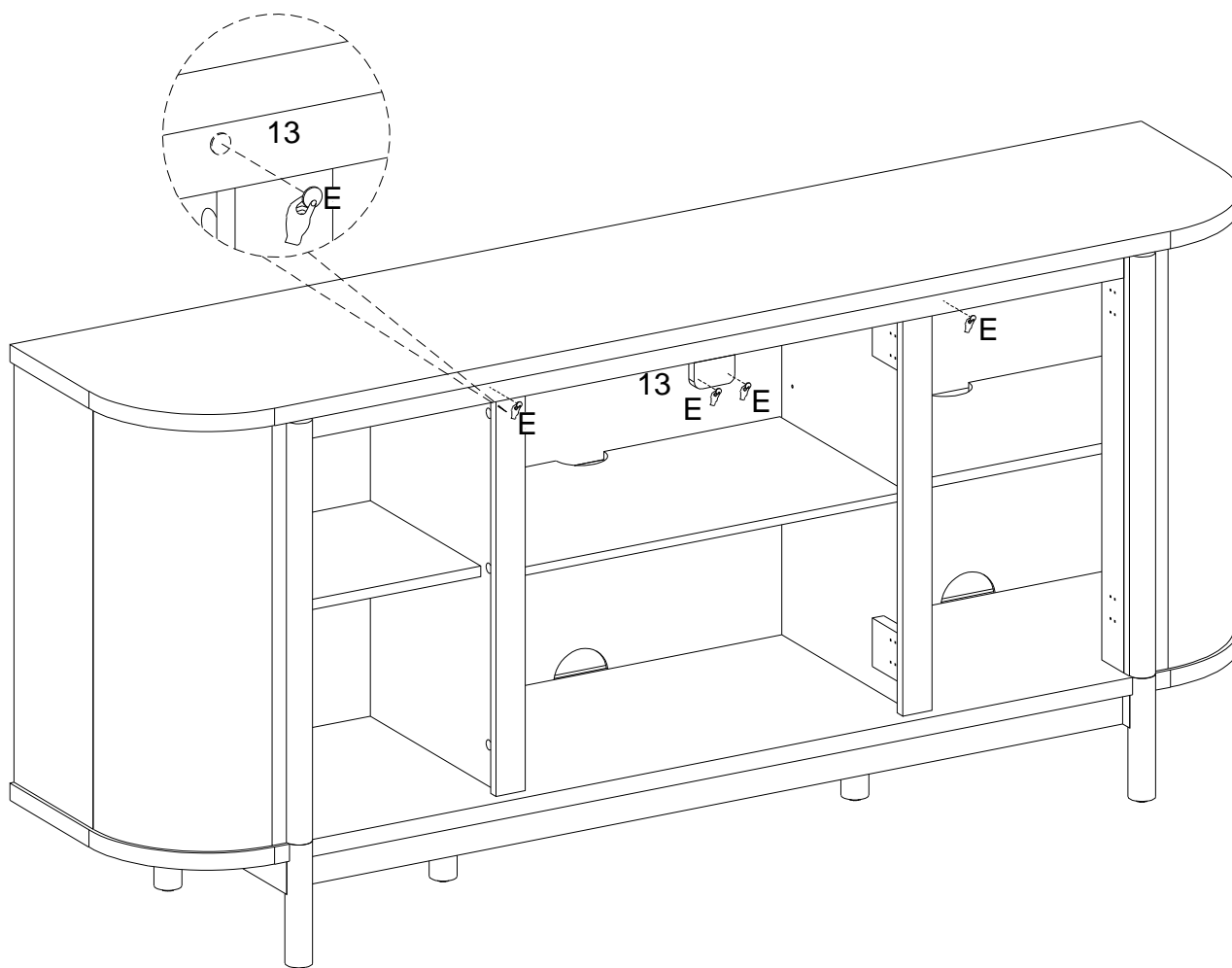
Step 25

Insert the Shelf Support Pins (M) into your desired shelf location. Then slide the Middle Shelf (16) into place.



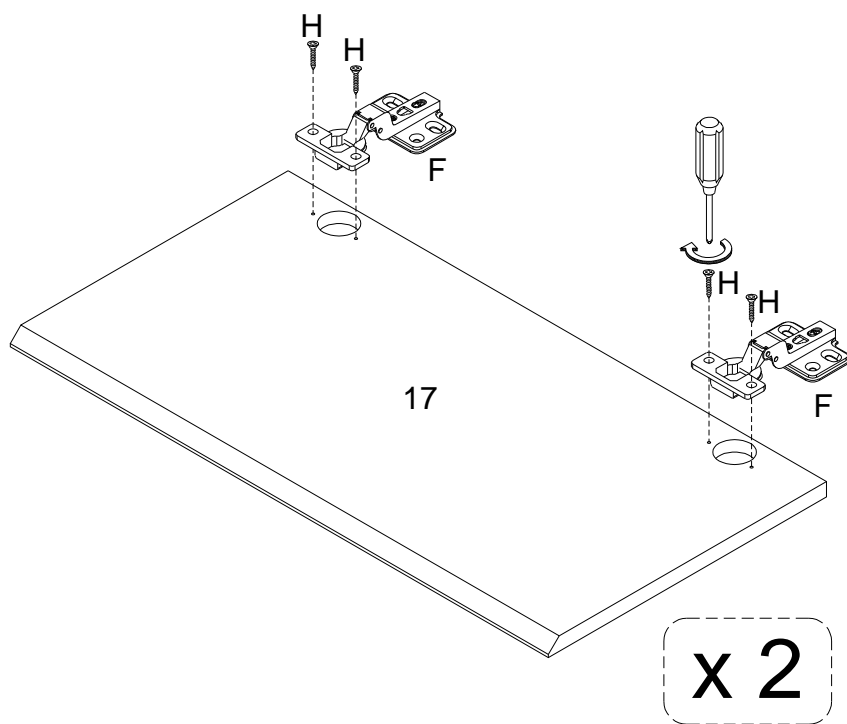
Step 26

Stick Rubber Pads (E) into place.



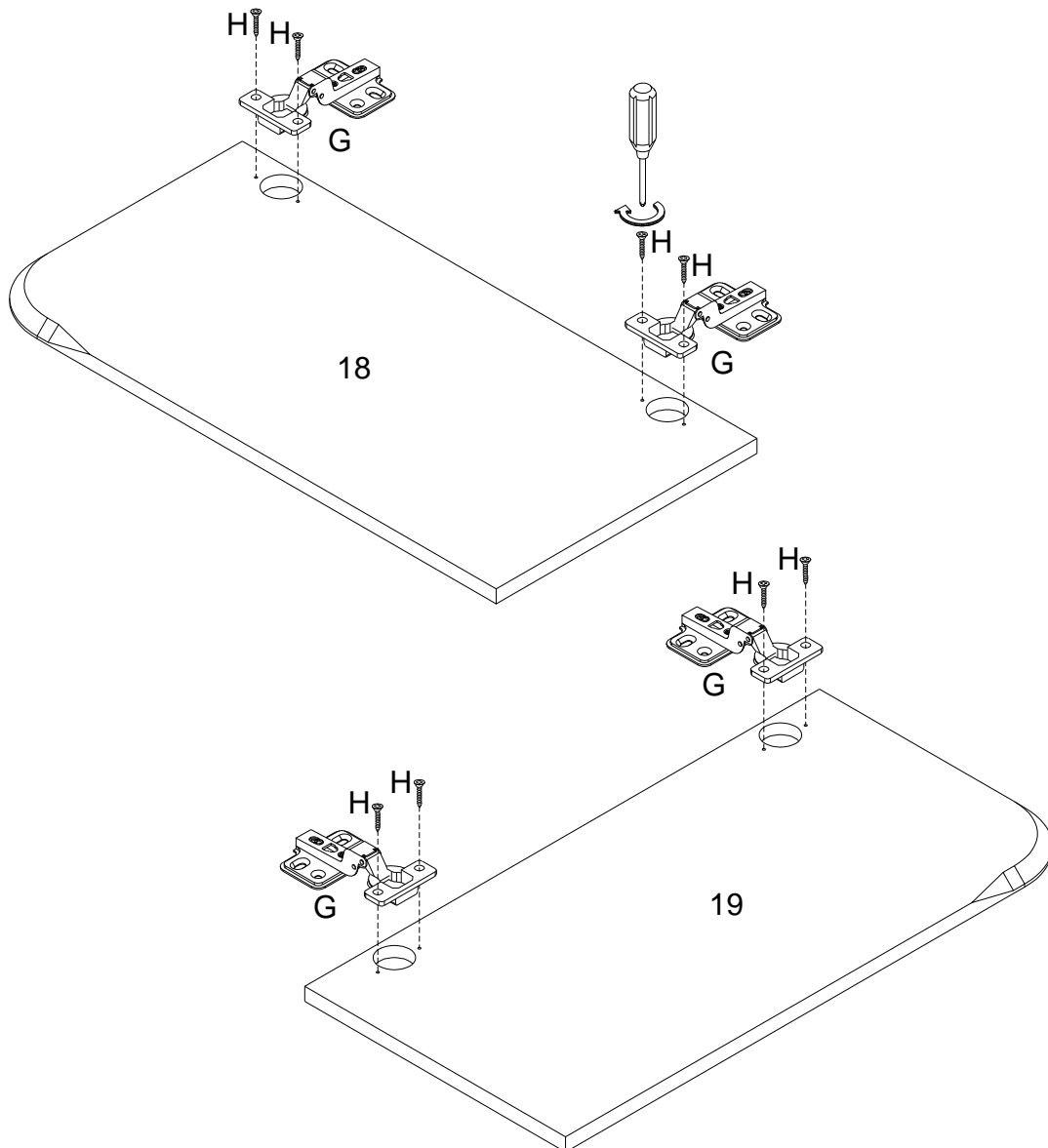
Step 27

Connect your European Hinges (F) to the two Side Doors (17) and secure with Screws (H).



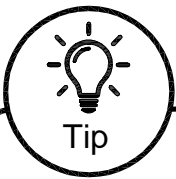
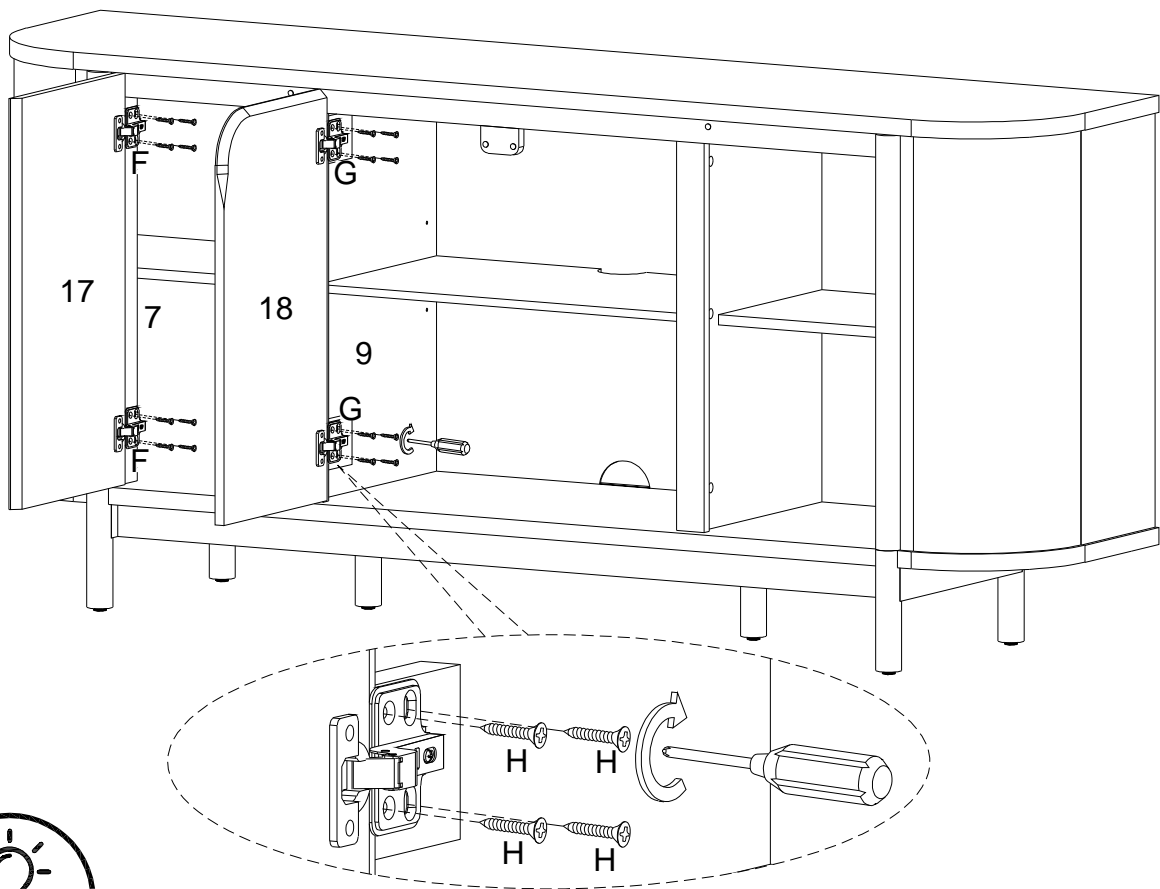
Step 28

Connect European Hinges (G) to the Center Doors (18 & 19) and secure with Screws (H).

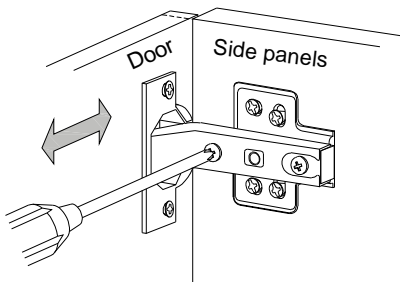


Step 29

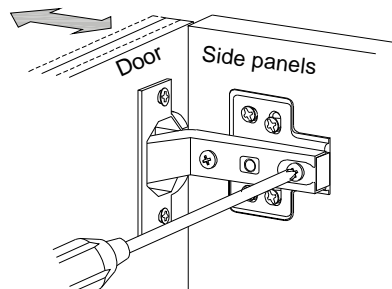
It's starting to look like a sideboard! Let's connect the doors. Attach the European Hinges to the frame using Screws (H) to secure. Need help adjusting doors once you've got them into place? See our tip below.



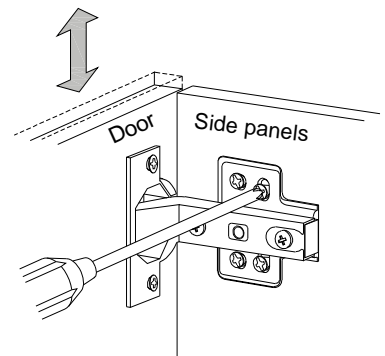
Adjusting The Cabinet Doors



Adjust horizontal width with this screw.



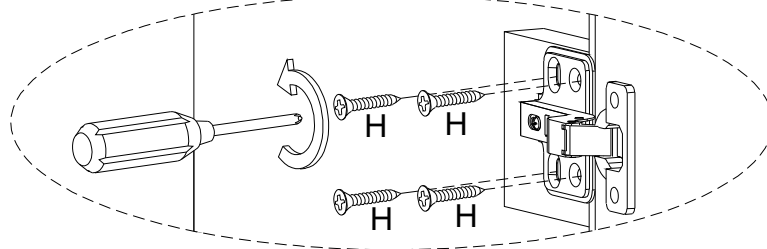
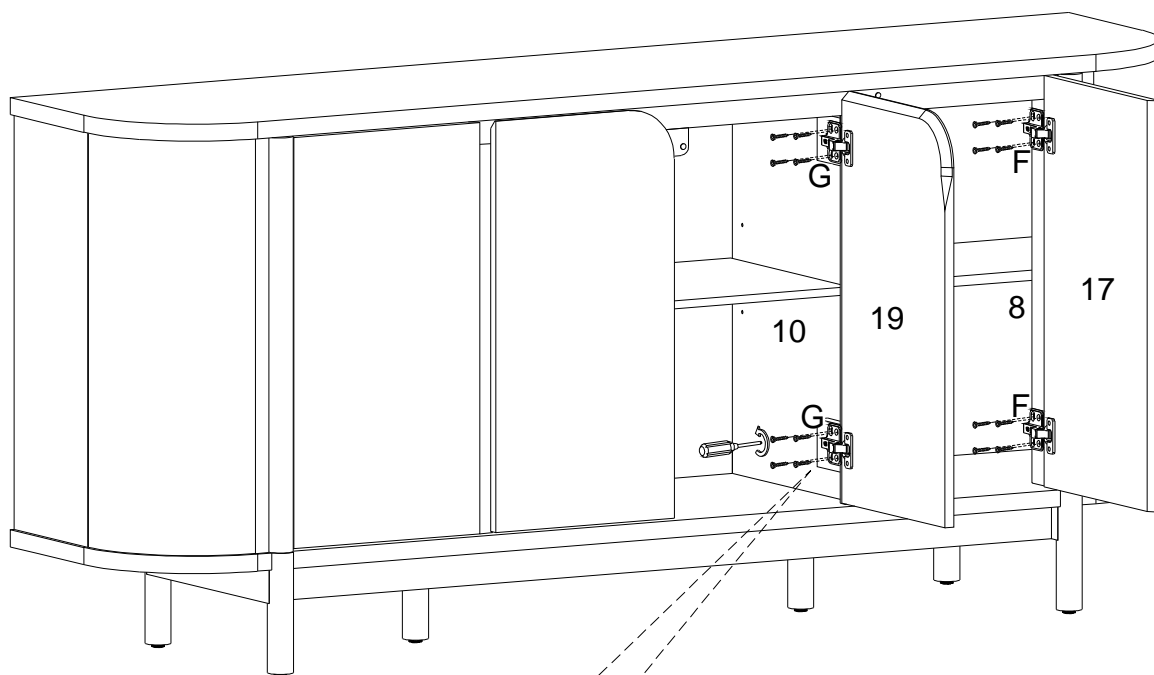
Adjust depth position by loosening the hinge arm mounting screw.



Adjust vertical height via the screws in the mounting plate.

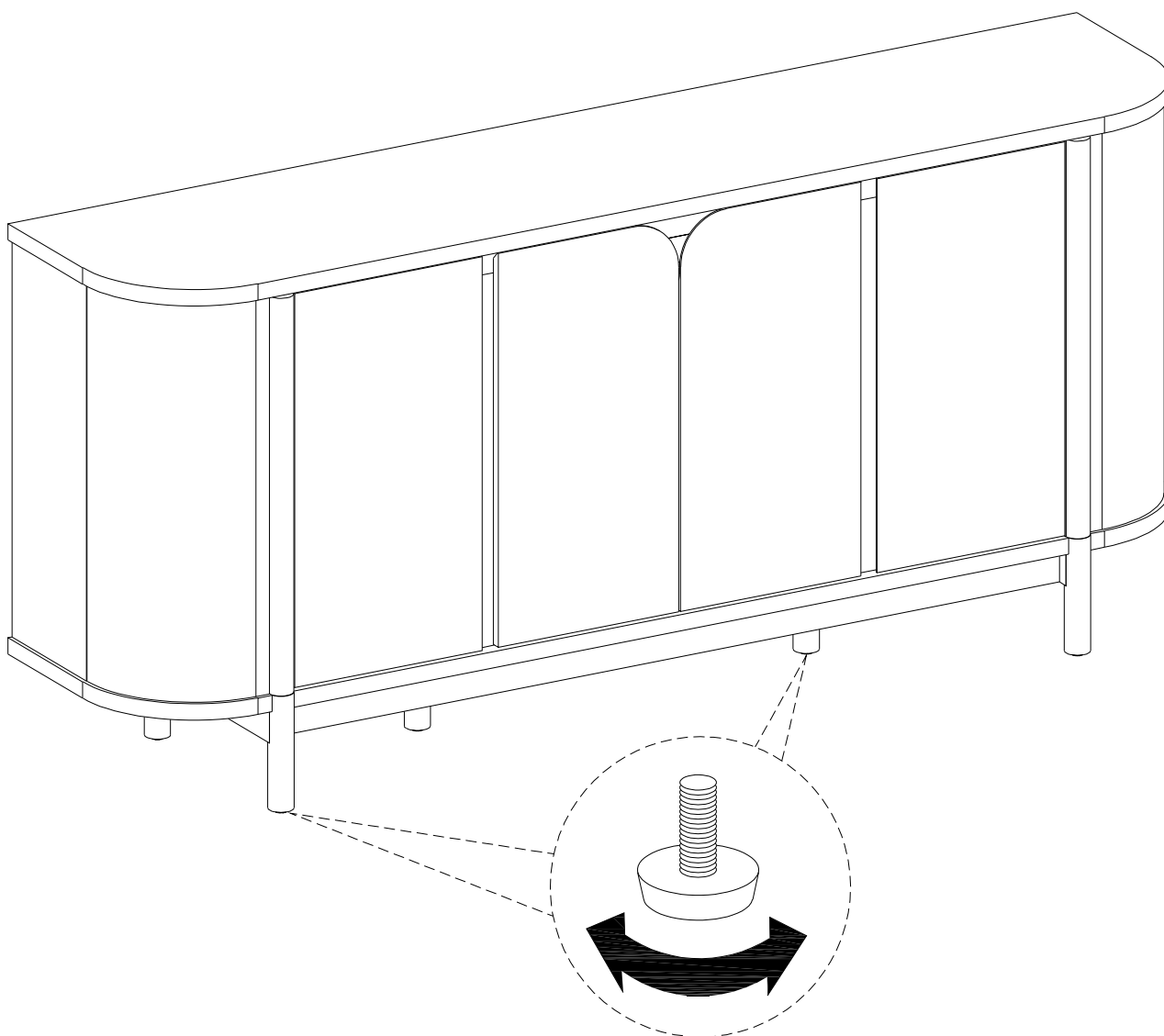
Step 30

Now attach the hinges on the remaining doors.



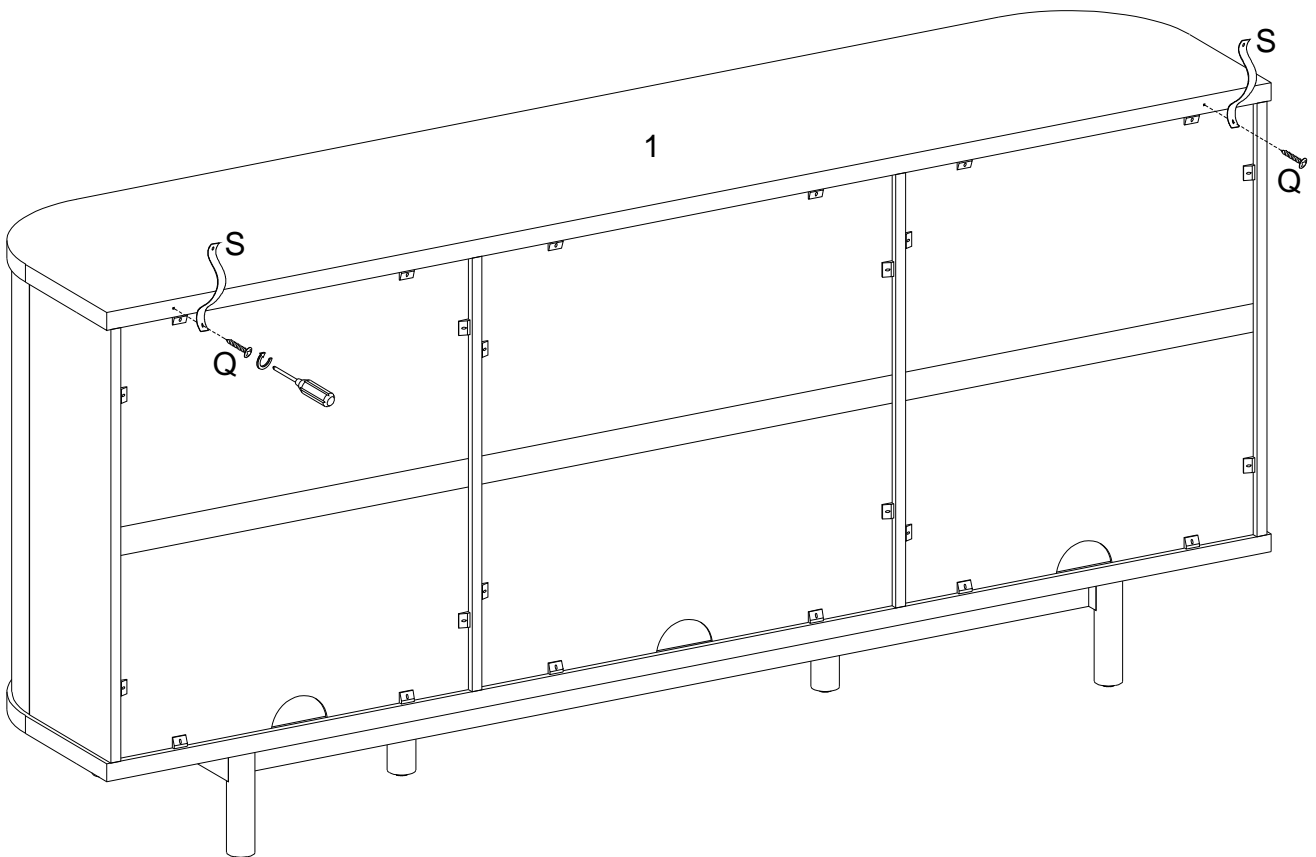
Step 31

Adjust your sideboard to create a level surface.



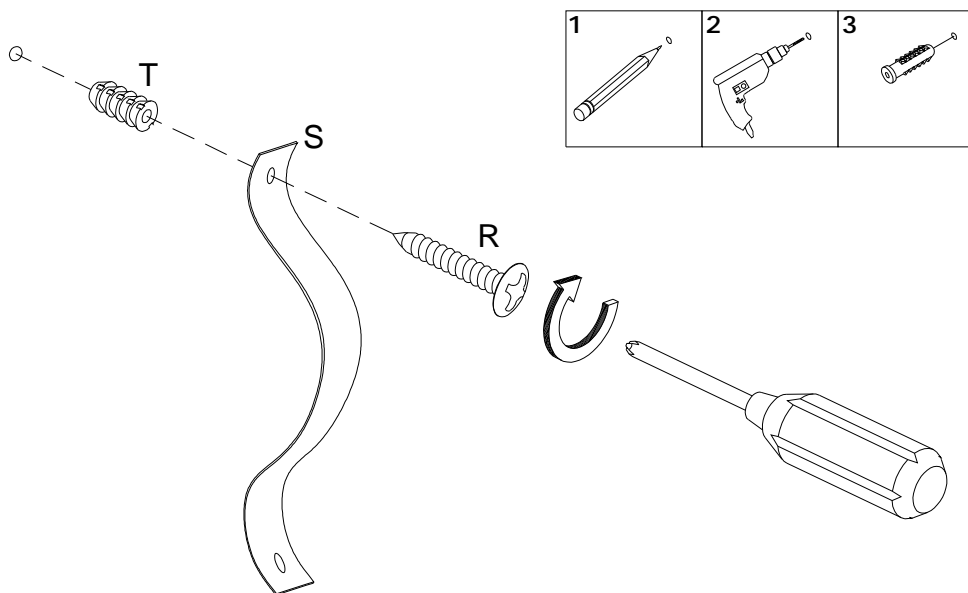
Step 32

Lastly, we take your safety seriously. Let's secure the sideboard to your wall. Attach the Plastic Straps (S) to the back of the sideboard using Screws (Q).



Step 33

Secure the Wall anchors (T) into the wall and connect the Plastic Straps (S) to the wall using Screws (R).

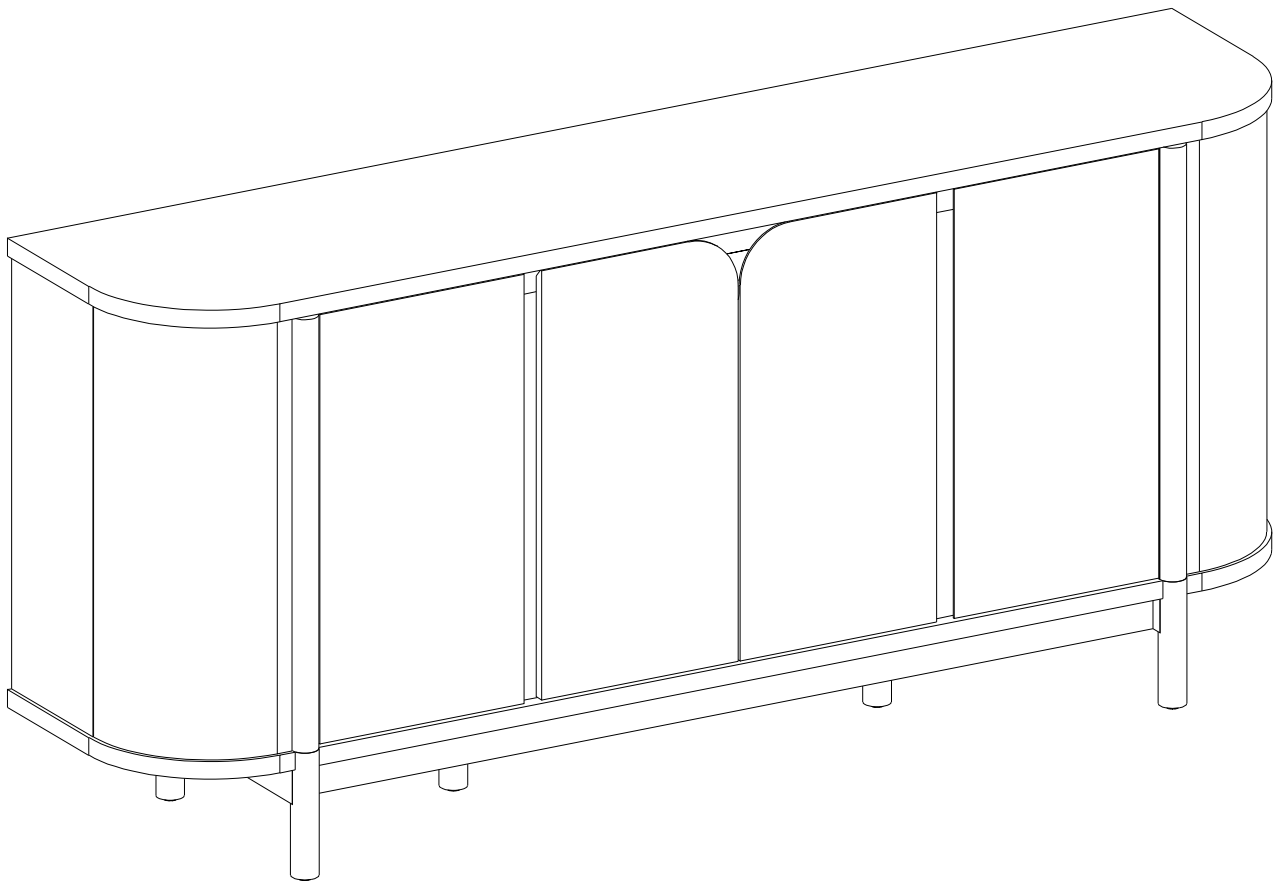


Warning

Serious or fatal injuries can occur from furniture tipping over. To prevent the furniture from tipping over we recommend that it is permanently fixed to the wall. Wall anchor and hardware are included with this product. Please make sure hardware is suitable for your walls before installing, as different wall materials may require different types of anchors.

Final Assembly

Sit back and admire your hard work. Enjoy your beautiful new sideboard!



Congratulations on your new piece of furniture!

We would love to hear about it and see it.
Please leave us a review or post a picture with
[#mywalkerredisonhome](https://www.instagram.com/mywalkerredisonhome)

Assembling furniture can be tricky sometimes.

Our customer service team, located in Utah, is here for product information, help assembling a product, or for any other customer support issue

Call us at **801-433-3008**

Email us at service@walkeredison.com

Visit our Customer Service website at
walkeredison.com/pages/customer-service

We are available to help Monday -Thursday 8am-5pm, Friday
8am-3pm MST

For details on Assembly Videos, Assembly Instructions,
Replacement Parts, and Customer service,
SCAN HERE

