

TIGER™ TEMPORARY LED LUMINAIRE

Product Data Sheet

Engineered Products Company's (EPCO) TIGER Temporary LED Luminaire is a low cost, energy efficient lighting solution that is highly functional for use in high and low bay lighting applications and a recommended alternative to metal halide light fixtures. This luminaire provides 360 degrees of brilliant white illumination and requires no maintenance. This translates to a productive work environment during building construction or major renovation projects. Energy consumption is less than half of the total energy costs when compared to old metal halide lamps.

Benefits

- No assembly required! Ready to use out of the box.
- Compact size; impact and shock resistant. Can be used in any "sized" space to complete work.
- Provides optimal lumen output with no light degradation.
- No maintenance expenses.
- Significant energy savings for 24 hours a day usage compared to other temporary lighting methods.
- Rated life is 50,000 hours, minimum.
- Meets the requirements of the 2020 National Electrical Code: Articles 410.62(C)(1) and (2).
- 5-Year Warranty. For warranty information visit www.engproducts.com.

Features

- Omni-directional lumen output; directs 100% of the light outward and downward.
- Highest lumen output to weight ratio on the market.
- Ergonomic comfort handle facilitates transportation on the job site.
- "Snap-Lock" Hang Hook expedites installation to rebar, steel pipe or copper tubing.
- Integral security Lock-Hold™ in the comfort handle accommodates a 5/16" padlock shackle; provides theft protection for your LED luminaire.
- NEMA 5-15 Receptacle allows luminaires to be linked together.
- Cord Length/Type: 8-Foot (2.4 m); 18 AWG SJTW Round Cord with NEMA 5-15 Plug.
- Heavy-duty welded Lamp Guard — White powder-coat finish.

OSHA Compliance

- Meets OSHA Compliance Standard 1926.56; Safety and Health Regulations for Temporary Lighting on Construction sites.
- Example: A 100-foot x 100-foot x 30-foot space with 80/50/20% reflectance values, the required spacing to meet OSHA lighting requirements:
 - » TIGER 150-Watt Temporary LED Luminaires OSHA compliance: 35-foot minimum spacing for 5-foot-candles compliance.
 - » TIGER 100-Watt Temporary LED Luminaires OSHA compliance: 30-foot minimum spacing for 5-foot-candles compliance.
 - » TIGER 60-Watt Temporary LED Luminaires OSHA compliance: 25-foot minimum spacing for 5-foot-candles compliance.



150-Watt



100-Watt



60-Watt

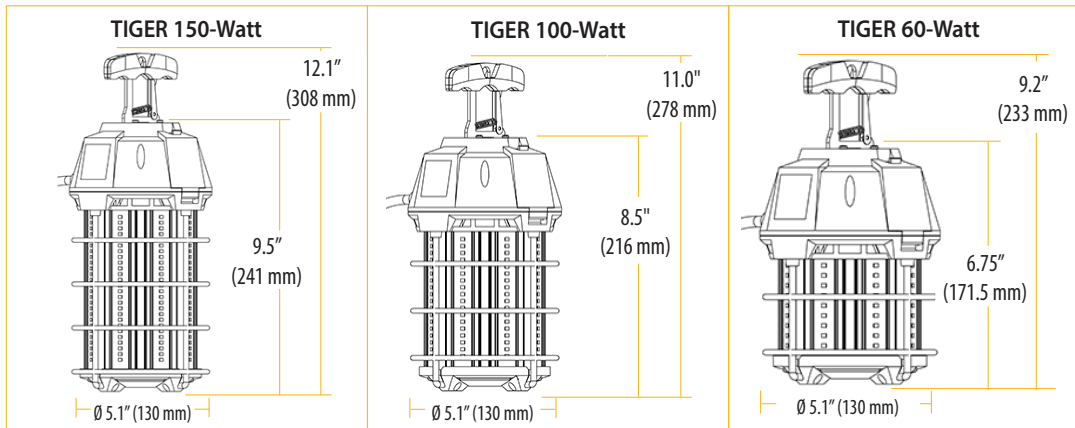
TIGER LED: TYPICAL APPLICATIONS

- New building construction or renovation.
- Permanent lighting in large mechanical rooms.
- Maintenance/storage spaces in commercial or institutional facilities.
- Additional lighting in service trucks (60-Watt only).

TIGER LED: SPECIFICATIONS

- **Output Lumens:** 150-Watt (18,750 Lumens), 100-Watt (12,500 Lumens), 60-Watt (7,200 Lumens)
- **Operating Voltage:** 120 VAC @ 60/50 Hz
- **Correlated Color Temperature (CCT):** 5000K
- **Color Rendering Index (CRI):** >80
- **Efficacy:** 150-Watt (125 lm/W), 100-Watt (125 lm/W), 60-Watt (120 lm/W)
- **Operating Temperature:** -4°F (-20°C) to 104°F (40°C)
- **Power Cord Type:**
 - » 8-foot 18 AWG SJTW Round Cord
 - » NEMA 5-15 Plug and Receptacle
- **Warranty:** 50,000 Hours / 5 Years at L₇₀
- **Applications:** Dry or Damp Locations
- **Linkable Maximum:** 150-Watt (4 Maximum), 100-Watt (6 Maximum), 60-Watt (10 Maximum)
- **Certifications:**
 - » UL Listed — U.S. and Canada
 - » RoHS Compliant
 - » Meets OSHA Compliance Standard 1926.56; Safety and Health Regulations for Temporary Lighting on Construction sites.
 - » Meets the requirements of the 2020 National Electrical Code, 410.62(C)(1) and (2)

TIGER LED: DIMENSIONAL REFERENCES



TIGER LED: PART NUMBERS

Catalog Number	UPC Number	Description	Order Unit	Unit Qty	Unit Pkg	Units/Case	TL Case Qty	Min Order Qty	MM Req	Ship Wt (Lbs)
15735	15735	100-Watt, with Lamp Guard and 8-FT 18 AWG SJTW Round Cord	EA	1	BX	4	4	1	No	5
15736	15736	60-Watt, with Lamp Guard and 8-FT 18 AWG SJTW Round Cord	EA	1	BX	4	4	1	No	4
15737	15737	150-Watt, with Lamp Guard and 8-FT 18 AWG SJTW Round Cord	EA	1	BX	4	4	1	No	6

UNITS OF MEASURE KEY

Order Unit: The Unit to be ordered; **Order Qty:** Number of pieces in each Unit; **Unit Pkg:** Packaging types - BG (Bag), BX (Box), BRL (Barrel); **Units/Case:** Unit packages contained in the Case; **TL Case Qty:** The total number of items in each Master Case; **Min Order Qty:** The smallest Unit that can be ordered; **MM Req:** Must order multiples of the Unit in the stated quantities; **Ship Wt (Lbs):** Total weight of the units per Carton

E02-040-002 B1 (12/20-BB)
©2020 Engineered Products Company. All Rights Reserved.
TIGER is a trademark of Engineered Products Company.

