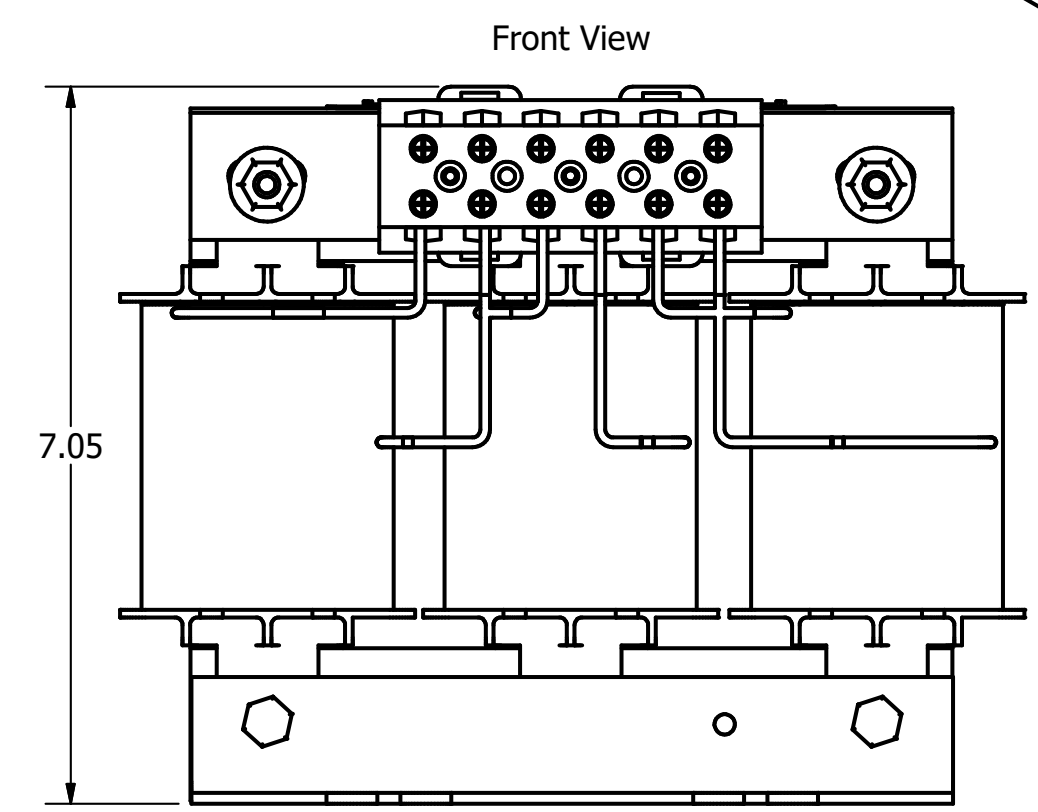
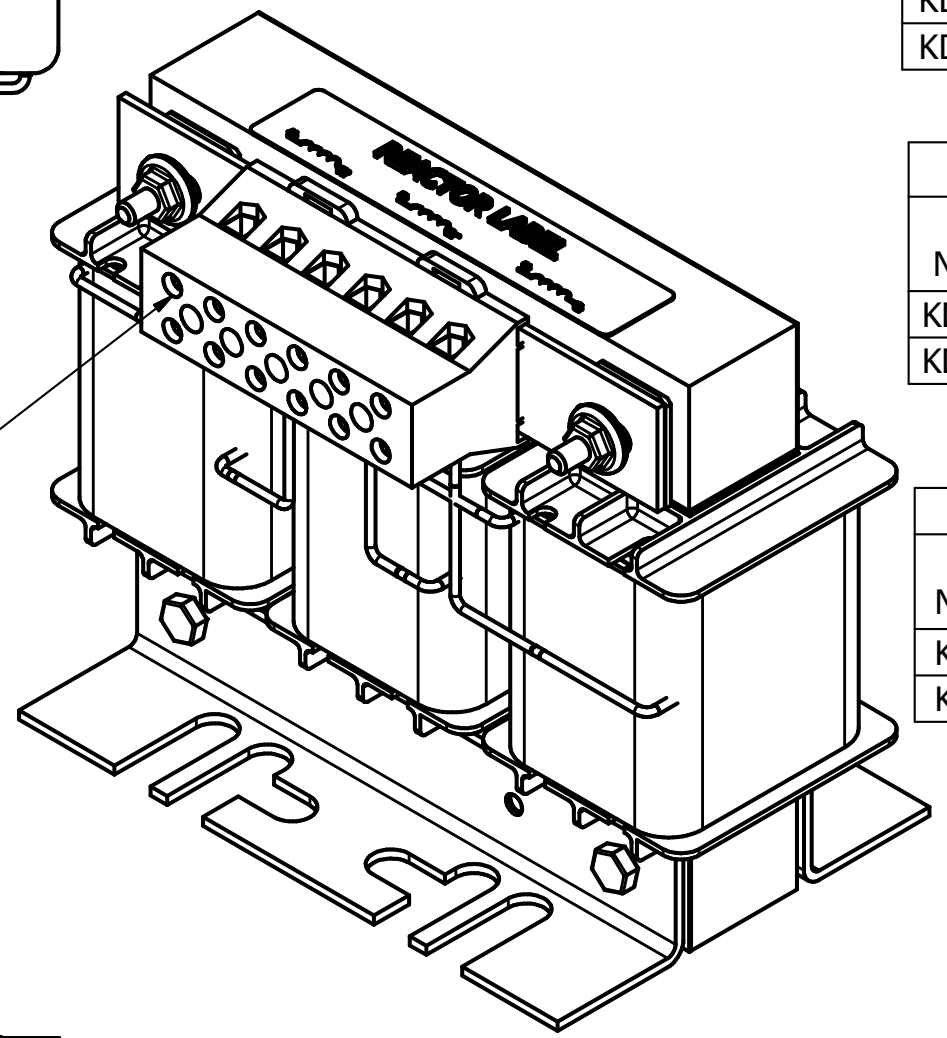


(Customer Connections) Markings On Terminal Block For Reference Only.

Wire Range: 1- 4 AWG. Torque : 35 IN-LBS (3.95 Nm)  
 6- 14 AWG. Torque : 30 IN-LBS (3.39 Nm)  
 16- 20 AWG. Torque : 25 IN-LBS (2.28 Nm)  
 22 AWG. Torque : 20 IN-LBS (2.26 Nm)



208/240 Rated Voltage, 600 Max Voltage, High Z, Impedance.						
Part Number	Horsepower (HP)	Motor Amps (A)	Maximum Amps (A)	Inductance (uH)	Weight (LBS)	Losses (W)
KDRF28H	25	74.8	75	226	30	151

480 Rated Voltage, 600 Max Voltage, High Z, Impedance.						
Part Number	Horsepower (HP)	Motor Amps (A)	Maximum Amps (A)	Inductance (uH)	Weight (LBS)	Losses (W)
KDRF4H	40	52	60	581	25	169
KDRF1H	50	65	85	465	25	191

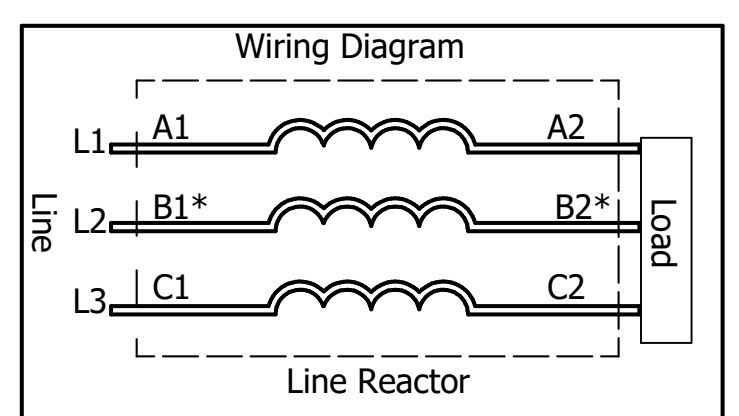
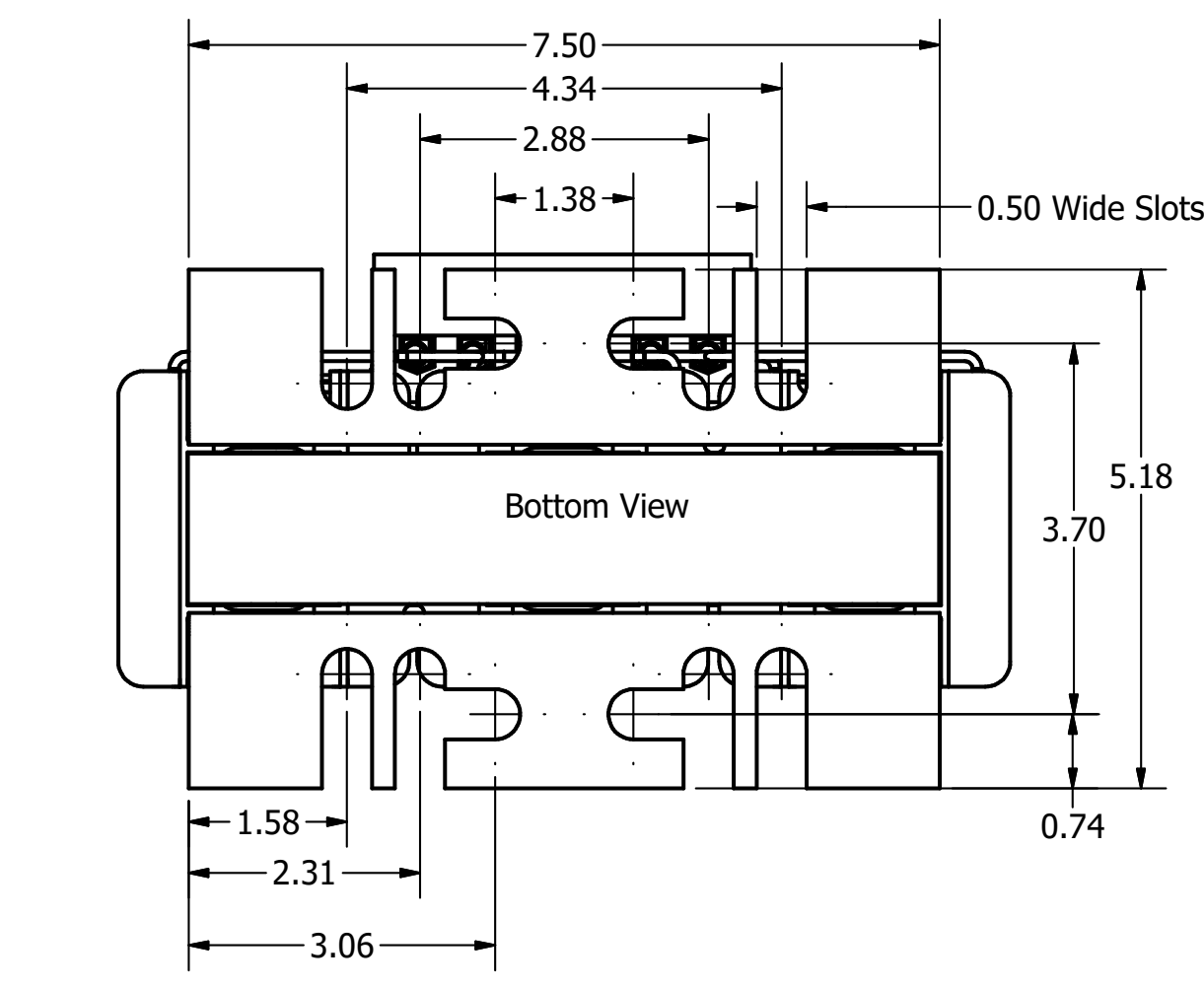
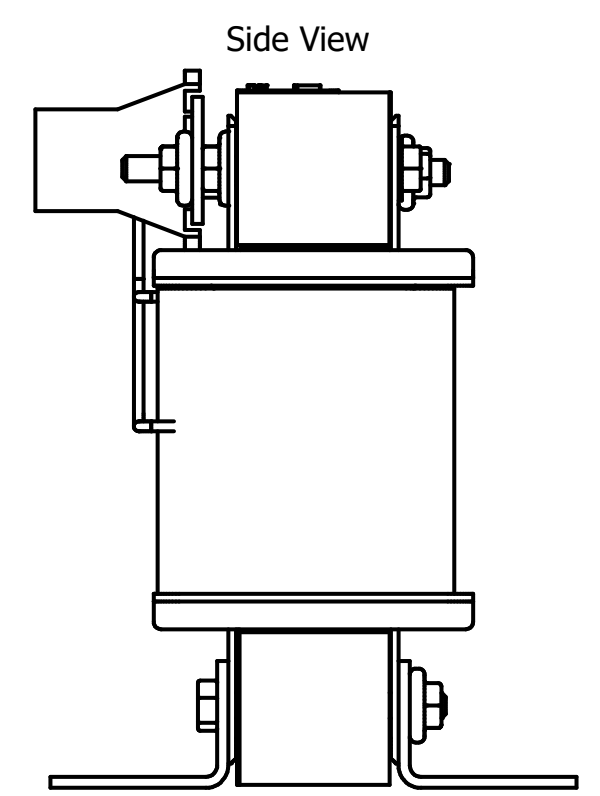
480 Rated Voltage, 600 Max Voltage, Low Z, Impedance.						
Part Number	Horsepower (HP)	Motor Amps (A)	Maximum Amps (A)	Inductance (uH)	Weight (LBS)	Losses (W)
KDRF2L	50	65	65	295	25	114
KDRF4L	60	77	77	227	25	169

575 Rated Voltage, 600 Max Voltage, High Z, Impedance.						
Part Number	Horsepower (HP)	Motor Amps (A)	Maximum Amps (A)	Inductance (uH)	Weight (LBS)	Losses (W)
KDRF44H	40	41	44	1090	30	172
KDRF45H	50	52	58	870	30	165

575 Rated Voltage, 600 Max Voltage, Low Z, Impedance.						
Part Number	Horsepower (HP)	Motor Amps (A)	Maximum Amps (A)	Inductance (uH)	Weight (LBS)	Losses (W)
KDRF46L	60	62	62	432	30	181
KDRF47L	75	77	77	363	30	194

480 Rated Voltage, 600 Max Voltage, Output						
Part Number	Horsepower (HP)	Motor Amps (A)	Maximum Amps (A)	Inductance (uH)	Weight (LBS)	Losses (W)
KDRF1P	50	65	80	143	25	105
KDRF2P	60	77	80	143	25	105

575 Rated Voltage, 600 Max Voltage, Output						
Part Number	Horsepower (HP)	Motor Amps (A)	Maximum Amps (A)	Inductance (uH)	Weight (LBS)	Losses (W)
KDRF31P	60	62	80	144	25	105
KDRF32P	75	77	80	143	25	105



\* For single phase applications, use coils A and C, Isolate terminals B1 and B2.

**TGI** (800) 824-8282 transcoil.com

TGI, LLC  
 Germantown, WI, USA.  
 transcoil.com  
 800-824-8282

KDRUL Drive Reactor  
 Motor Amps —  
 3PH, 50/60Hz, —V Rated, 600V Max, —A Max, RoHS  
 40C Amb Max, 135C Rise  
 Manual #30895

UL LISTED CE  
 2ND CTRY. EQ. MARK

DATE CODE A1 A2 B1 B2 C1 C2

- Notes:
- For KDRUL Version, See Sheet 2
  - UL file number: cULus Listed File E116124.
  - KDR Drive Reactors Comply With The Thermal and Altitude Standards Set Forth by NEMA ST20-1992.
  - KDR IOM Manual Part Number 30895
  - NEC Current For 208/240 Volts, Horsepower Based On 208 Volts.
  - Material(s) Shall be RoHS Compliant
  - Customer Is Responsible For Installation To Meet All National And Local Electrical Codes.

TGI, LLC CLAIMS PROPRIETARY RIGHTS IN THE MATERIAL HEREIN DISCLOSED. IT IS SUPPLIED WITHOUT PREJUDICE TO ANY PATENT RIGHTS OF TGI AND MAY NOT BE REPRODUCED OR USED TO MANUFACTURE ANYTHING SHOWN THEREIN WITHOUT WRITTEN PERMISSION FROM TGI.				TOLERANCES (EXCEPT AS NOTED)		W132 N10611 Grant Drive Germantown, WI 53022	
				DECIMAL		KDR F Frame, Terminal Block Reactor Drawing	
				XX ± .25			
				.XXX ± .10			
B For KDRF2H see drawing 107988DG 1A				1/31/19	DSW	FRACTIONAL	
A Combined Drawings				1/22/18	DSW	± 1/16	DRN BY DSW
NO REVISION				DATE	BY	ANGULAR	DATE: 1/22/18
						± 1°	107515DG
							SCALE: 1/2
							APRVD: SIZE
							C
							SHT. 1 OF 2