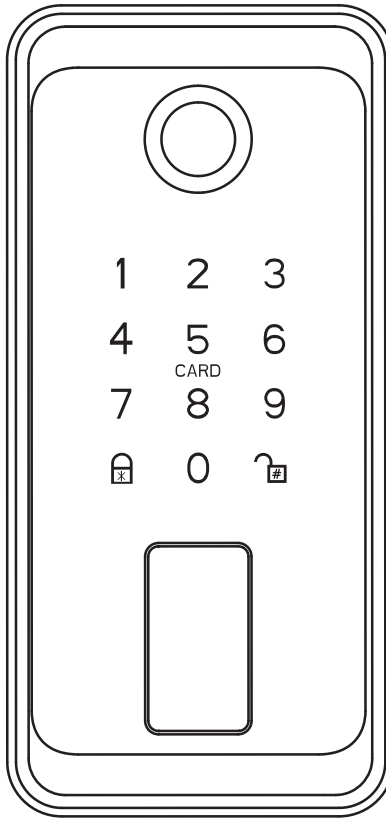


TOUCH + KEYCARD DOOR LOCK

IMPORTANT SAFETY INSTRUCTIONS AND INSTALLATION GUIDE



READ BEFORE INSTALLATION
SAVE THESE INSTRUCTIONS



Table of Contents

Safety Information	2
FCC Statement	2
Warranty	2
Pre-Installation	3
Tool Required	3
Hardware Included	3
Door Lock Schematic	4
Product Specifications	4
Product Overview	5
Top View of Door Opening Direction	5
Installation	6-7
App Setup	8
Using your Doorlock - Outdoor	8-9
Using your Doorlock - Indoor	9
Restore Factory Settings	10
Emergency Power Supply	11
Local Assistive Features	11

Safety Information

For your safety, always remember to:

- Install batteries only after the door lock is fully installed and all mechanical checks are complete.
- Set the latch to the unlocked position before installation (see Step 7).
- Verify that all rotating and sliding latch parts move smoothly and freely before final assembly.
- Use high-quality LR06 (AA) alkaline batteries. Do not use mixed battery chemistries or brands.
- If the low voltage alert sounds, replace all batteries immediately with new, identical LR06 (AA) alkaline cells. Never mix new and used batteries.
- The lock includes a mechanical backup key. Store backup keys securely and ensure authorized persons can access them in an emergency.
- Keep fingers clean and dry for reliable fingerprint recognition.
- For Wi-Fi setup, use a 2.4 GHz network and place the lock within effective range of your router; signal strength and interference affect remote functions.
- Dispose of used batteries in accordance with local, state, and federal regulations.

FCC STATEMENT

Supplier's Declaration of Conformity:

47 CFR § 2.1077 Compliance Information

Responsible Party: Feit Electric Company

4901 Gregg Road, Pico Rivera, CA 90660, USA

www.feit.com

Unique Identifier: USI/DOOR/LOCK/TH/AG

This device complies with part 15 of the FCC Rules. Operation is subject to the following two conditions: (1) This device may not cause harmful interference, and (2) this device must accept any interference received, including interference that may cause undesired operation. Note: This equipment has been tested and found to comply with the limits for a Class B digital device, pursuant to part 15 of the FCC Rules. These limits are designed to provide reasonable protection against harmful interference in a residential installation. This equipment generates, uses and can radiate radio frequency energy and, if not installed and used in accordance with the instructions, may cause harmful interference to radio communications. However, there is no guarantee that interference will not occur in a particular installation. If this equipment does cause harmful interference to radio or television reception, which can be determined by turning the equipment off and on, the user is encouraged to try to correct the interference by one or more of the following measures: Reorient or relocate the receiving antenna. Increase the separation between the equipment and receiver. Connect the equipment into an outlet on a circuit different from that to which the receiver is connected. Consult the dealer or an experienced radio/TV technician for help. Any changes or modifications not expressly approved by the manufacturer could void the user's authority to operate the equipment.

Warranty Information

ONE-YEAR WARRANTY

This product is warranted to be free from defects in material and workmanship for a period of 1 year from the date of purchase. For products containing a sealed battery, this warranty does not cover any damage that may be caused by the battery. Warranty does not apply to replaceable battery. This warranty applies only to the original consumer purchaser and only to products used in normal residential use and service. If this product is found to be defective, the only obligation, and your exclusive remedy, is the repair or replacement of the product, at the company's discretion, provided that the product has not been damaged through misuse, abuse, accident, modification, alteration, neglect, or mishandling. This Warranty shall not apply to any product which is found to have been improperly installed, set-up, or used in any way not in accordance with the instructions supplied with this product.

RETURNS

For replacement of this doorlock under the terms of this Warranty, please contact customer service at universalsecurity.com/help for assistance. The company does not warrant, and specifically disclaims any warranty, whether express or implied, of fitness for a particular purpose, other than the warranty contained herein. No implied warranty on this product, created by state law, shall extend beyond the term of this warranty unless such law otherwise provides. The company specifically disclaims any liability and shall not be liable for any consequential or incidental loss or damage, including, but not limited to, damages to any equipment with which this product is used. Some states do not allow the exclusion or limitation of incidental or consequential damages, so the above limitations or exclusions may not apply to you. No agent, representative, dealer, or employee of the company has the authority to increase or alter the obligations or terms of this Warranty. This Warranty gives you specific legal rights and you may also have other rights which vary from state to state. This Warranty is only valid for merchandise purchased from outlets in the United States and Canada. This warranty expires upon product end-of-service life signal.

TOOLS REQUIRED (NOT INCLUDED)



Phillips Screwdriver

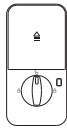


NOTE: Hardware not shown to actual size.

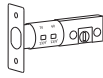
HARDWARE INCLUDED



AA



BB



CC



DD



EE



FF



GG



HH



II



JJ



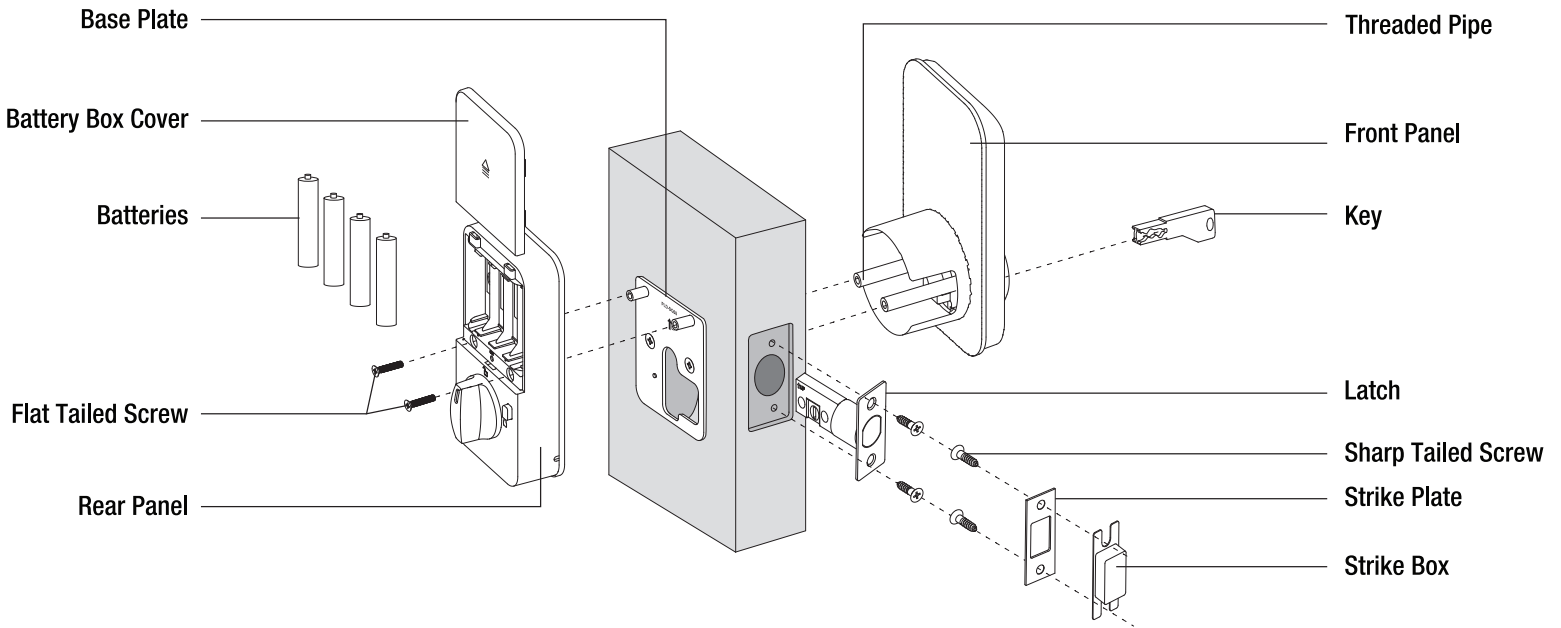
KK



LL

Part	Description	Quantity
AA	Front Panel	1
BB	Rear Panel	1
CC	Latch	1
DD	Strike Plate	1
EE	Strike Box	1
FF	NFC Key Card	2
GG	Key	2
HH	Bore Hole Drawing	1
II	Screw Tube Spare 1 9/16in (40mm)	2
JJ	Flat Tailed Screw 1 in (25mm)	2
KK	Sharp Tailed Screw 13/16in (20mm)	4
LL	AA Batteries	4

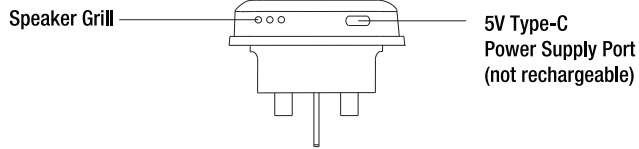
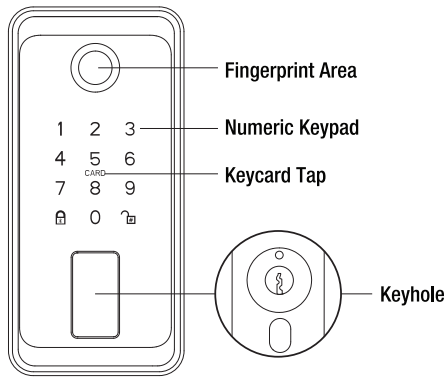
Door Lock Schematic



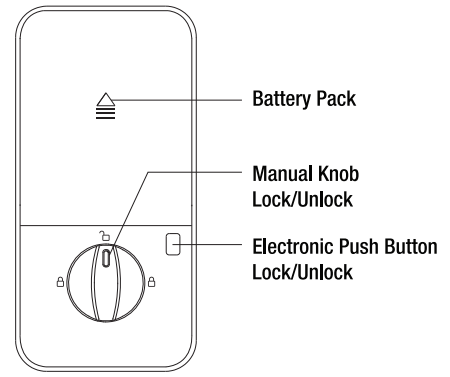
Product Specifications

Function	Content	Description
Unlocking Method	Fingerprint + Key Card + Feit App + Physical Key	
Total Number Of Users	300	Includes administrators and regular users
Fingerprint	100	Register each fingerprint 5 times, using multiple angles for better accuracy.
Password	100	Enter your password twice, press [#] to confirm. (6-8 digits, both times must be the same)
Key Card	100	Supports the addition of 13.56 MHz key cards
Scramble Code Length	Up to 26 digits	To prevent others from viewing your code, you may enter any random digits immediately before and after your password; the lock will ignore these extra numbers and unlock, provided the total sequence does not exceed 26 digits.
Low Voltage Alarm	4.8±0.2V	When the voltage drops below 4.8V, the red indicator light will blink five times, signaling: "Battery is low, please replace the battery." At this stage, the lock can still be used approximately 100 more times. However, if the voltage falls below 4.5V, the lock will no longer function, and the door cannot be unlocked.
Emergency Power Supply	5V (DC)	USB-C power supply port
Operating Temperature	-13°F ~ +149°F	
False Alarm	Support	After 5 consecutive incorrect attempts, the lock will be disabled for 1 minute.
Quick Lock	Quick Locking From Outside The Door	The [*] key on the panel can be used for locking or as a return key.

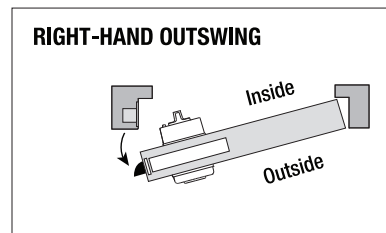
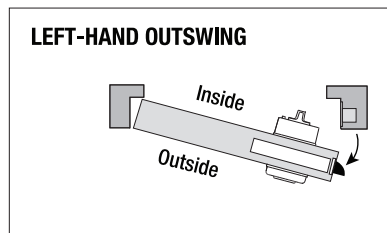
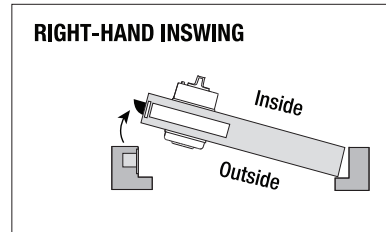
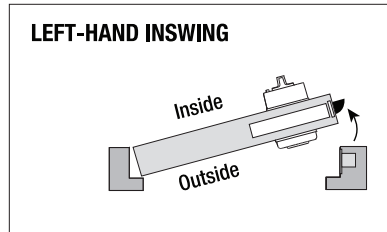
FRONT PANEL



REAR PANEL

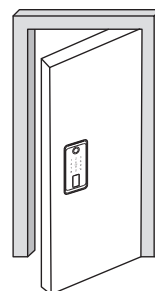
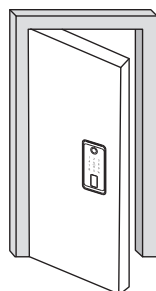


Top View of Door Opening Direction



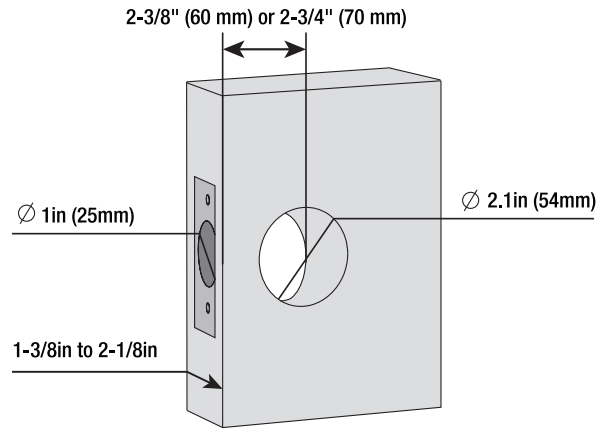
OPEN THE DOOR WITH YOUR LEFT HAND

OPEN THE DOOR WITH YOUR RIGHT HAND



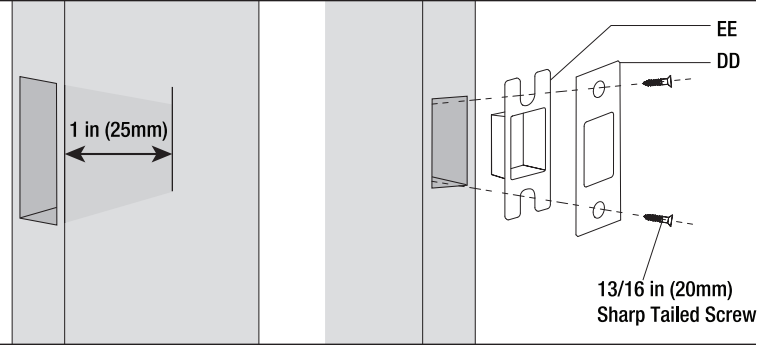
1 Measuring Door Dimensions

- Door Thickness: 1-3/8" to 2-1/8" (35–55 mm)
- Bore Hole (Main Opening) Diameter: 2-1/8" (54 mm)
- Latch Hole Diameter: 1" (25 mm)
- Backset (Distance from edge of door to center of bore hole): 2-3/8" (60 mm) or 2-3/4" (70 mm)



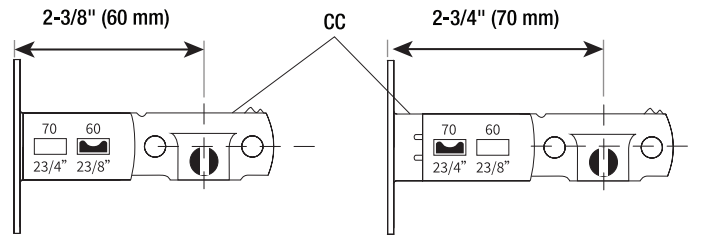
2 Installing the Strike Box and Strike Plate

- The locking hole should be at least 1 inch (25 mm) deep to allow the locking mechanism to extend fully.
- Secure the strike box (EE) and strike plate (DD) to the door frame using the two Sharp Tailed Screws (KK).

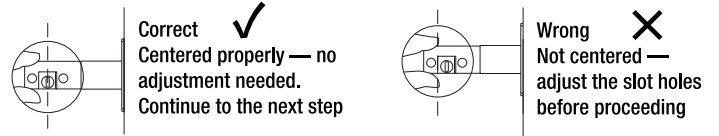


3 Selecting the Appropriate Latch Size

- Select or adjust the correct latch size for the lock hole (the factory default is a 2-3/8 inch (60 mm) latch).
- Ensure the latch slot is centered; if it is not, adjust it to the next position.

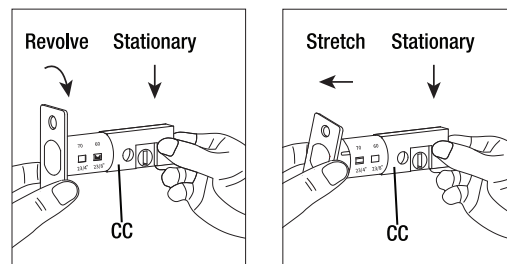


NOTE: Make sure the latch slot is centered. If it is not, adjust it to the next position.



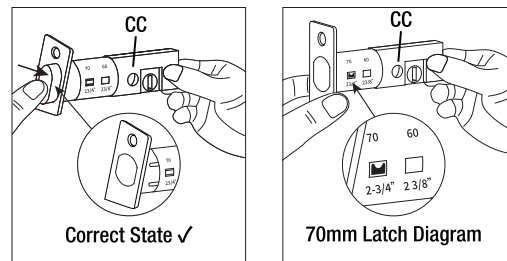
4 Adjusting The Latch Length

- To adjust to a 70mm latch length, first fix the end of the latch (CC), then rotate the front end, then pull the front end of the latch outward.



5 Adjusting The Lock Latch

- If you notice the latch (CC) protruding during adjustment, press it inward to flatten it.
- After the front end of the latch (CC) is reset, the latch is at the 70mm position. The latch adjustment is now complete.

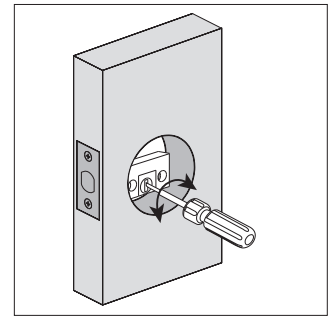
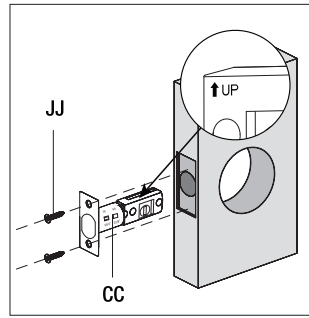


6 Installing The Lock Latch

- Use two flat tailed-screws (JJ) to secure the latch (CC) to the door frame.
- Use a flathead screwdriver to check if the latch (CC) operates smoothly.



NOTE: Be sure the upward mark on the latch stays in the upright position.

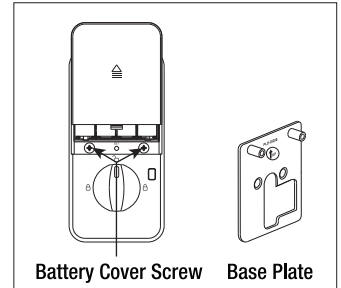
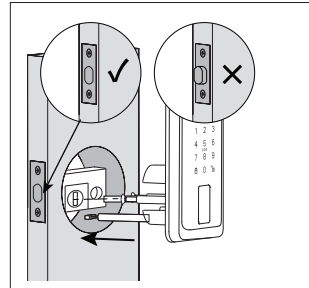


7 Installing the Door Lock

- The front panel aligns with the door hole and passes through the latch (the main line passes underneath the latch).
- Open the battery cover, remove the two screws on top, and take out the mounting base.



NOTE: Use the two longer screw tubes(HH) if the standard ones aren't long enough for your door thickness. Unscrew the existing tubes to replace them.



8 Adjusting the Base Plate

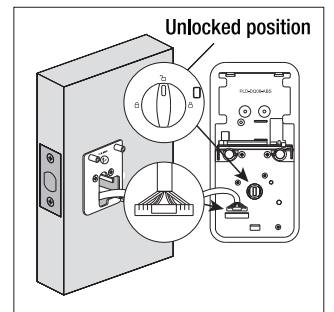
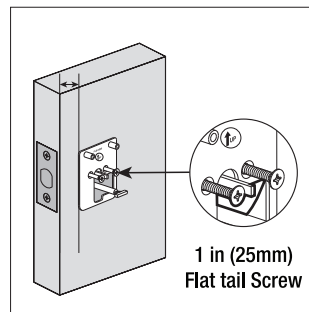
- Secure the base plate with two flat tail screws (do not overtighten to prevent the latch from deforming).
- Insert the main wire into the front panel socket, pushing firmly until fully seated (do not install the battery).



NOTE: Be sure the lock is in the unlocked state during installation.



NOTE: The base plate is vertical to the door edge.

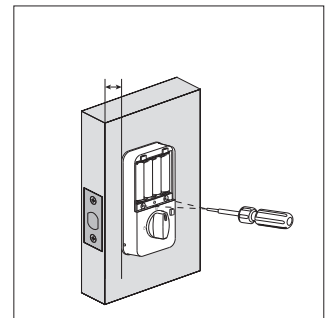
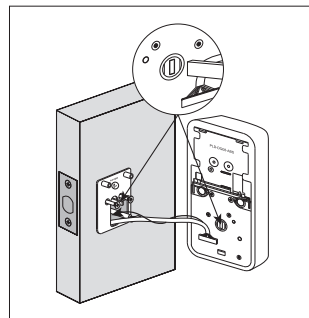


9 Securing and Tightening the Lock

- After connecting the wires, tuck the main wire back into the door frame and align the latch to fasten the rear panel.
- Secure and tighten the two screws previously removed from the battery cover.



NOTE: The rear panel is vertical to the door edge.

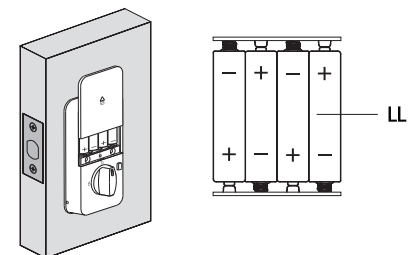


10 Inserting the Batteries

- Ensure the door is open and in the unlocked position. Insert four LR06 alkaline batteries (LL) into the battery compartment. The door lock should begin to calibrate and should protrude the latch bolt as a check. Cover the battery lid to complete the installation.



NOTE: Follow the correct battery orientation.



Download and install the Universal Security Instruments App

- ❑ Search for the Universal Security Instruments App in the App Store or Google Play Store.
- ❑ Download and install the Universal Security Instruments App on your smart device.



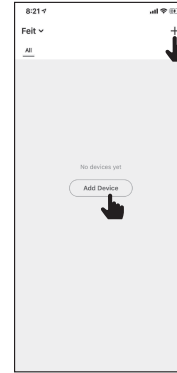
Universal Security Instruments App



Set up the Doorlock using the Universal Security Instruments App

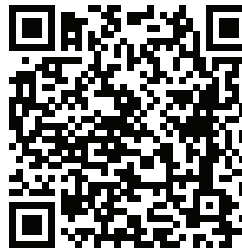
- ❑ Make sure the door lock is in pairing mode. If it is not, see the pairing/reset instructions on page 10.
- ❑ Open the Universal Security Instruments App and tap the “+” icon in the top-right corner.
- ❑ Confirm that Bluetooth is enabled on your mobile device, then check if the lock appears at the top of the screen.

Be sure to connect to a 2.4 GHz Wi-Fi network that covers your installation location.



App Guide

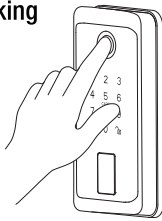
- ❑ Scan to learn how to navigate the app features.



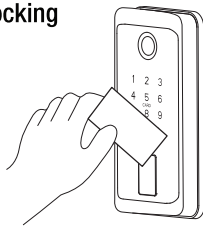
Using your Doorlock- Outdoor

1 Unlocking From Outside

- ❑ Fingerprint Unlocking



- ❑ Key Card Unlocking



- ❑ Password Unlocking




- ❑ Mobile App Unlocking



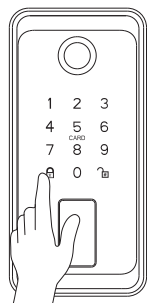
- ❑ Key Unlocking



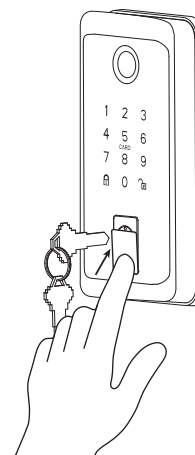
 **NOTE:** Push on the top portion and swivel door open to expose keyhole.

2 Locking from Outside

- Auto-lock mode – The door automatically locks about 5 seconds after unlocking. You can adjust the timing in the app.
- Manual mode - Press the number key on the panel to wake up the device, then press [🔒].



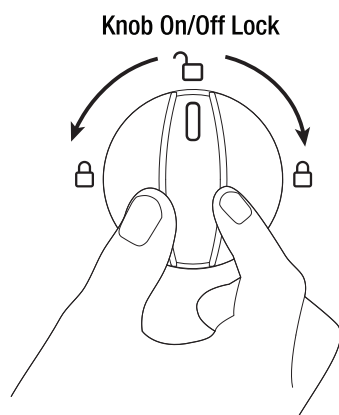
- Key mode - Press and rotate.



Using your Doorlock - Indoor

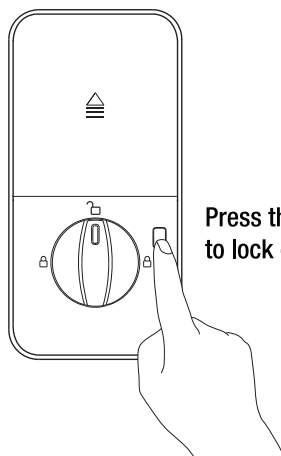
1 Unlocking from Inside

- Unlock from indoors



Turn knob to unlock position

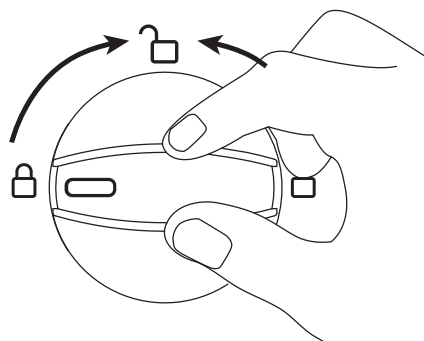
- Electronic Lock/Unlock Button



Press this button to lock or unlock

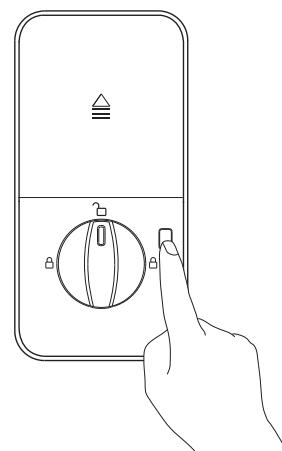
2 Locking from Indoors

- Auto lock mode - the device will lock automatically.
- Manual mode



Rotate to the locked position

- Electronic lock

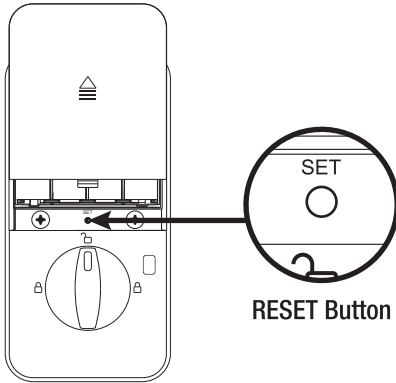
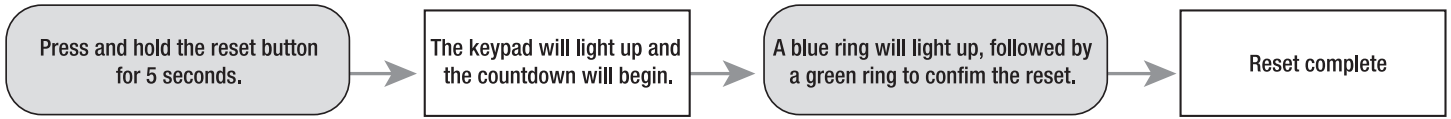


Restore Factory Settings

- When the door lock is reset to factory settings, all user keys will be cleared. Features will be reset to their original factory settings. Additionally, the lock will be unpaired from the App.

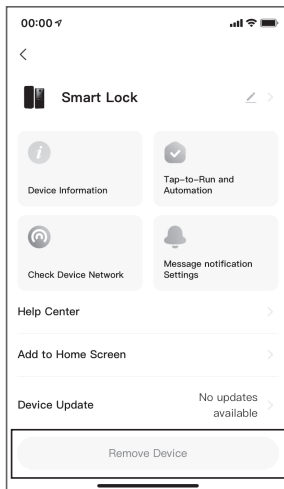
1 Method 1

- Open the battery cover on the back panel.



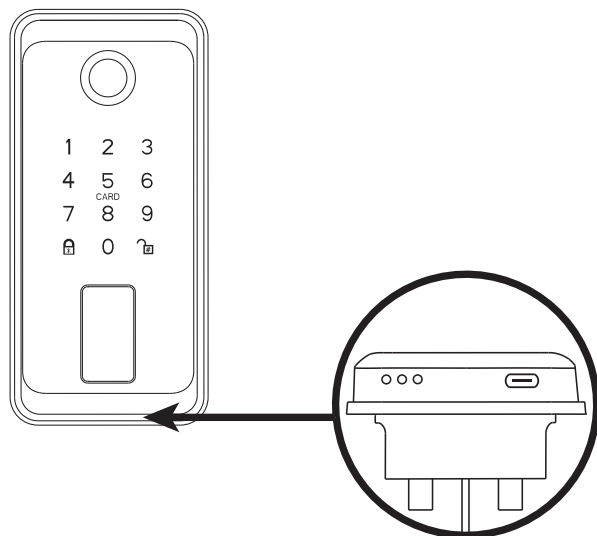
2 Method 2

- In the App, go to settings and select "Remove Device."



1 Using the Emergency Power Bank Port

- When the battery is depleted, use the emergency power bank port to supply power. The door lock is not rechargeable, so it must remain plugged in during use.



Local Assistive Features

1 Automatic Locking

- After unlocking, the lock will automatically lock and extend within 5 seconds. By default, this feature is turned off (you can customize the locking delay time between 5~60 seconds).

2 Key Function

- The key unlocking function is always available when the battery is completely drained or if the user password is forgotten.

3 Input Error Limit

- After 5 consecutive unsuccessful unlocks, the device will be locked for 1 minute.

4 Silent Mode

- Pressing the button will emit a beep sound (the prompt voice can be silenced).

5 Automated Unlock

- You can schedule automatic lock and unlock times to ensure the door operates on your preferred schedule.

6 Scramble Code (Anti-Peep Password)

- Users can prevent exposure of the unlocking password by entering random digits before and after the password, with a total length of 26 characters (as shown in the image).

