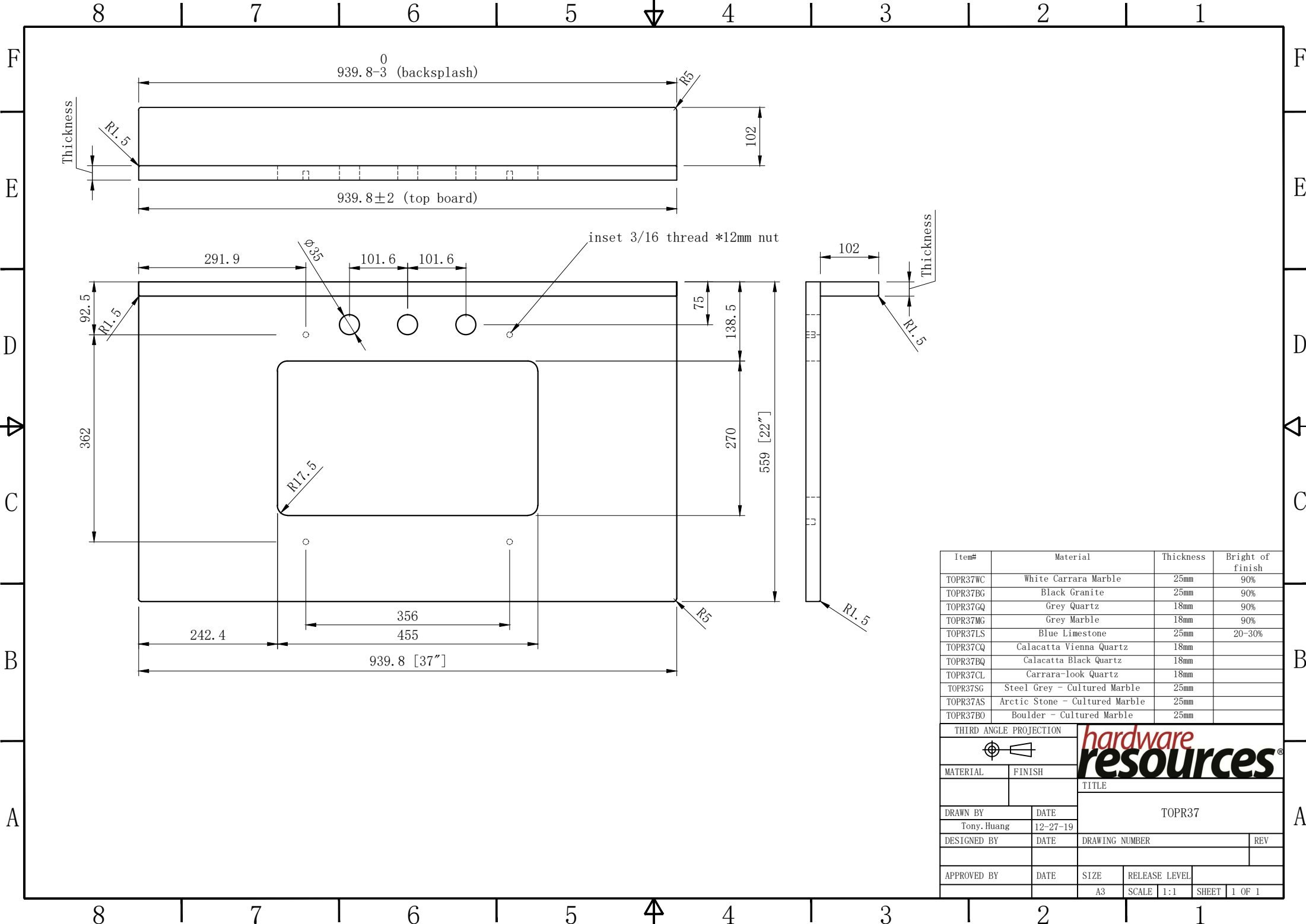


Item#	Material	Thickness	Bright of finish
TOPO37WC	White Carrara Marble	25mm	90%
TOPO37BG	Black Granite	25mm	90%
TOPO37GQ	Grey Quartz	18mm	90%
TOPO37MG	Grey Marble	18mm	90%
TOPO37LS	Blue Limestone	25mm	20-30%
TOPO37CQ	Calacatta Vienna Quartz	18mm	
TOPO37BQ	Calacatta Black Quartz	18mm	
TOPO37CL	Carrara-look Quartz	18mm	
TOPO37SG	Steel Grey - Cultured Marble	25mm	
TOPO37AS	Arctic Stone - Cultured Marble	25mm	
TOPO37BO	Boulder - Cultured Marble	25mm	

THIRD ANGLE PROJECTION

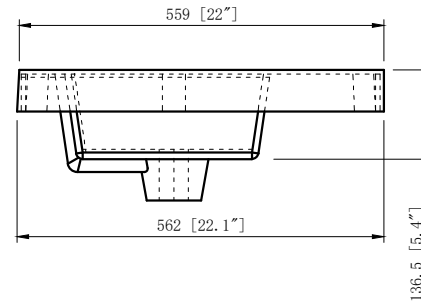
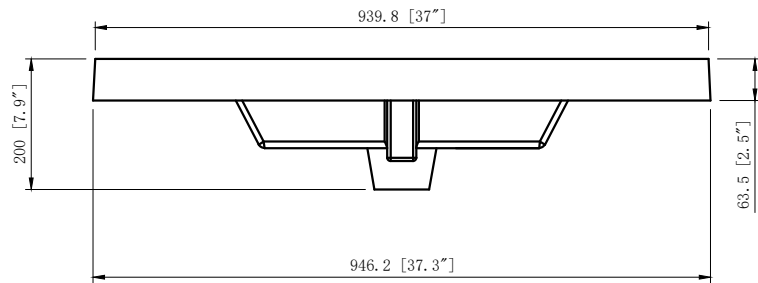
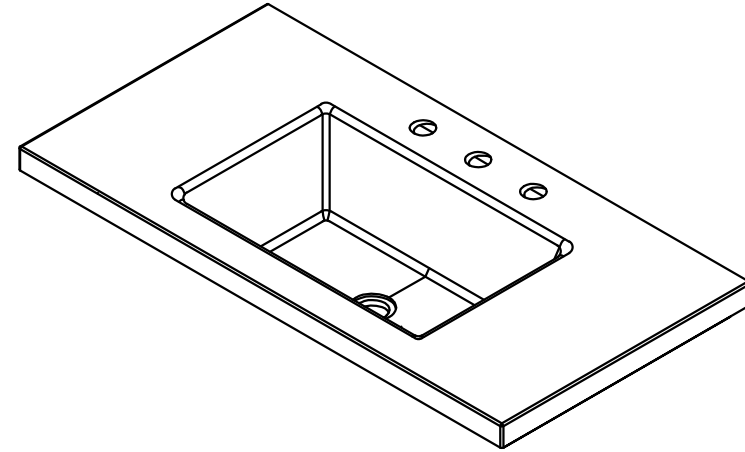
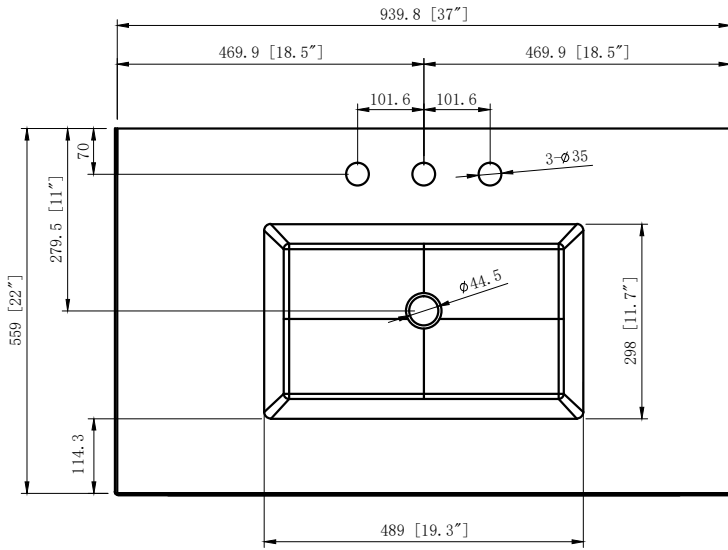
hardware resources

MATERIAL	FINISH	TITLE	
		TOPO37	
DRAWN BY	DATE	DRAWING NUMBER	REV
Tony.Huang	12-27-19		
APPROVED BY	DATE	SIZE	RELEASE LEVEL
		A3	SCALE 1:1 SHEET 1 OF 1



Item#	Material	Thickness	Bright of finish
TOPR37WC	White Carrara Marble	25mm	90%
TOPR37BG	Black Granite	25mm	90%
TOPR37GQ	Grey Quartz	18mm	90%
TOPR37MG	Grey Marble	18mm	90%
TOPR37LS	Blue Limestone	25mm	20-30%
TOPR37CQ	Calacatta Vienna Quartz	18mm	
TOPR37BQ	Calacatta Black Quartz	18mm	
TOPR37CL	Carrara-look Quartz	18mm	
TOPR37SG	Steel Grey - Cultured Marble	25mm	
TOPR37AS	Arctic Stone - Cultured Marble	25mm	
TOPR37BO	Boulder - Cultured Marble	25mm	

THIRD ANGLE PROJECTION				hardware resources [®]			
MATERIAL		FINISH					
TITLE				TOPR37			
DRAWN BY		DATE					
Tony.Huang		12-27-19		DRAWING NUMBER		REV	
APPROVED BY		DATE		SIZE		RELEASE LEVEL	
				A3		SCALE 1:1 SHEET 1 OF 1	



Material :Lavante - Cultured Marble

THIRD ANGLE PROJECTION						hardware resources			
MATERIAL	FINISH					TITLE			
DRAWN BY		DATE		TOPR37LA					
Tony. Huang		04-28-20							
DESIGNED BY		DATE		DRAWING NUMBER		REV			
APPROVED BY		DATE		SIZE	RELEASE LEVEL				
				A3	SCALE 1:1	SHEET	1 OF 1		