



bestchoiceproducts



# INSTRUCTION MANUAL

---

Mirrored Jewelry Armoire  
with Drawer

## ! NOTICE

Please retain these instructions for future reference.

- Firmly secure all bolts, screws, and knobs before use.
- Reconfirm that all bolts, screws, and knobs are secure every 90 days.
- Fasten screws loosely during initial assembly. Do not fully tighten screws until the item is completely assembled.
- Do not use or store this item in the proximity of open flame or flammable/combustible chemicals.
- Be aware that some parts are heavy and have sharp edges.
- If any parts are missing, broken, damaged, or worn, stop using this product until repairs are made and/or factory replacement parts are installed.
- Do not use this item in a way inconsistent with the manufacturer's instructions as this could void the product warranty.

## TOOLS REQUIRED



PHILLIPS  
SCREWDRIVER



3 AA BATTERIES



1 PERSON  
ASSEMBLY



UP TO 30 MIN.  
ASSEMBLY

## HARDWARE

1

LAG BOLT



8 PCS

2

LAG NUT



8 PCS

3

M6 X 30MM  
DOWEL



10 PCS

4

M2.5 X 12MM  
SCREW



12 PCS

5

M4 X 35MM  
SCREW



8 PCS

6

M6 X 45MM  
BARREL BOLT



6 PCS

7

BARREL NUT



6 PCS

8

M4 X 16MM  
SCREW



1 PC

9

KNOB



1 PC

10

M3 X 12MM  
SCREW



12 PCS

11

M8 X 30MM  
DOWEL



2 PCS

12

PIVOT  
CONNECTER  
SET

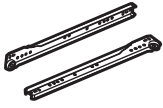


2 PCS

## HARDWARE

13

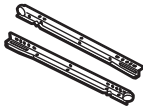
FEMALE  
RUNNER (L/R)



1 SET

14

MALE  
RUNNER (L/R)

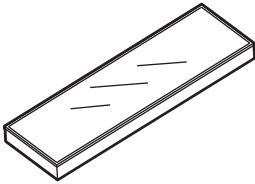


1 SET

## PARTS

A

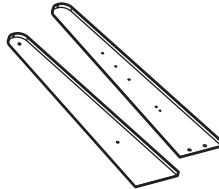
ARMOIRE



1 PC

B

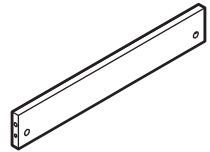
ARMOIRE SUPPORT



2 PCS

C

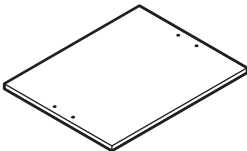
SUPPORT BRACE



1 PC

D

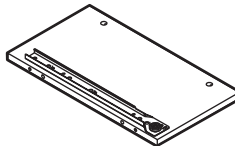
CABINET TOP



1 PC

E1

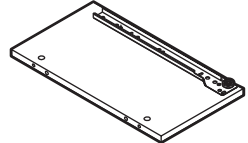
CABINET SIDE



1 SET

E2

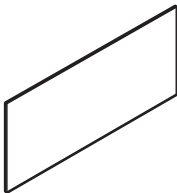
CABINET SIDE



1 PC

F

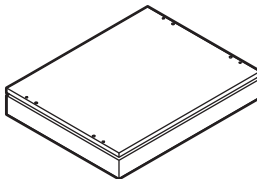
CABINET BACK



1 PC

G

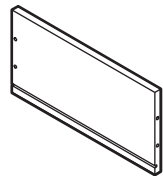
CABINET BASE



1 SET

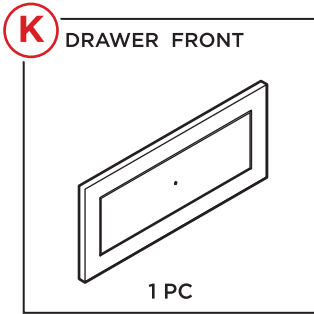
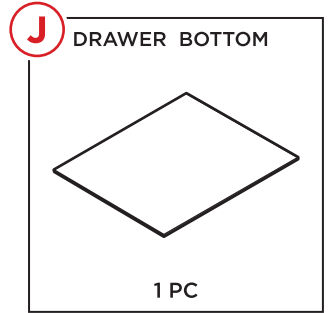
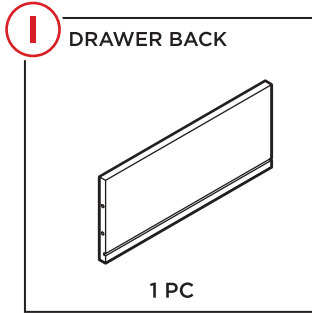
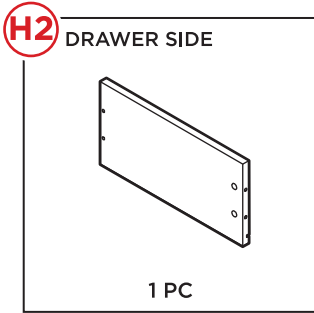
H1

DRAWER SIDE



1 PC

## PARTS

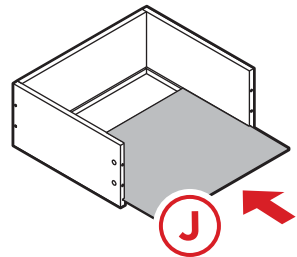
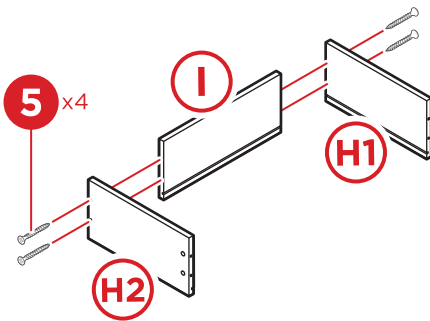


## PRODUCT ASSEMBLY

**1**

Attach one set of part H1 & H2 drawer sides to the part I drawer back with four part 5 screws.

Insert the part J drawer bottom.

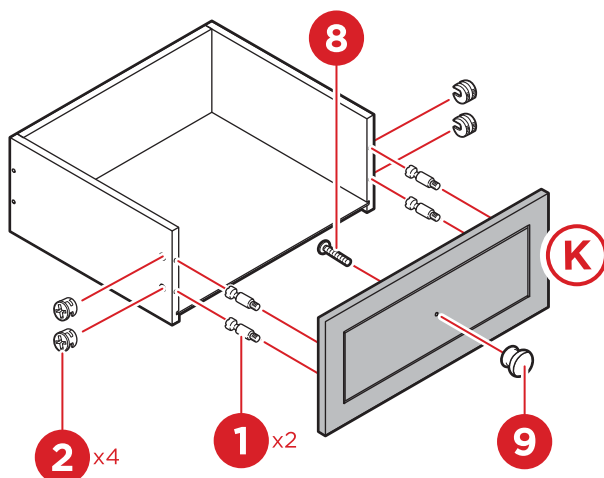


## PRODUCT ASSEMBLY

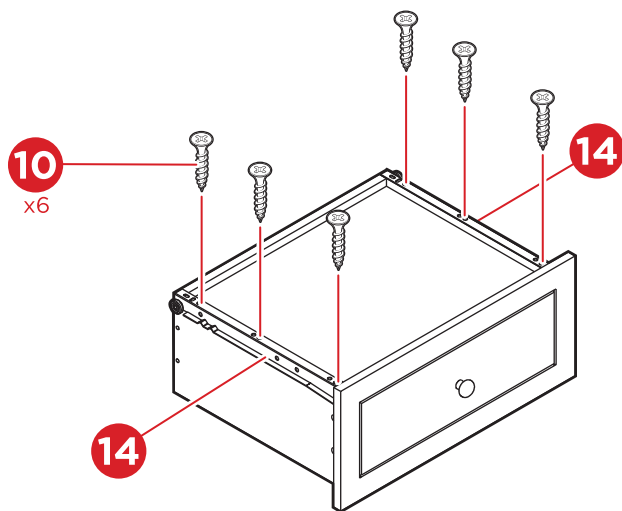
2

Attach the part 9 knob to the part K drawer front with one part 8 screw.

Attach the drawer front to the drawer assembly with four part 2 lag nuts and four part 1 lag bolts.



Flip the drawer assembly attach the part 14 male runner set to the drawer sides with six part 10 screws.

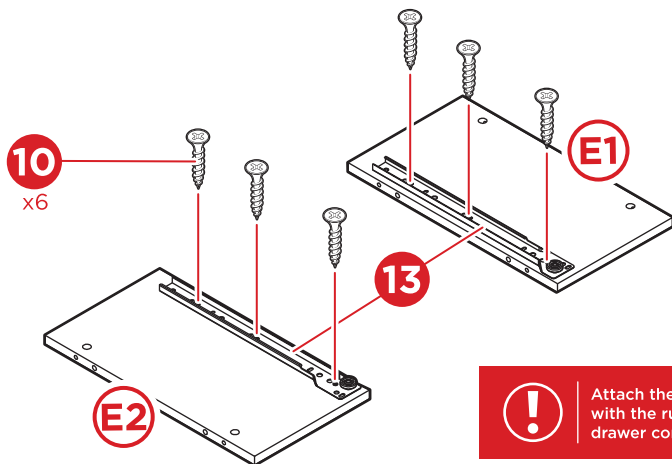


Attach the runner sets as shown with the runner wheels at the back of the drawer.

## PRODUCT ASSEMBLY

3

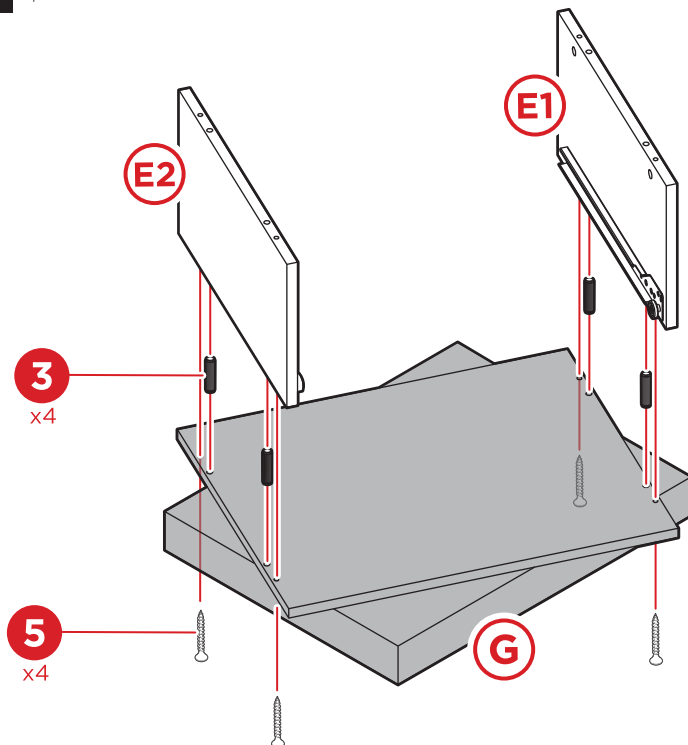
Locate the part E1 & E2 cabinet sides and attach the part 13 female runner set with six part 10 screws.



Attach the runner sets as shown with the runner wheel at the drawer compartment opening.

4

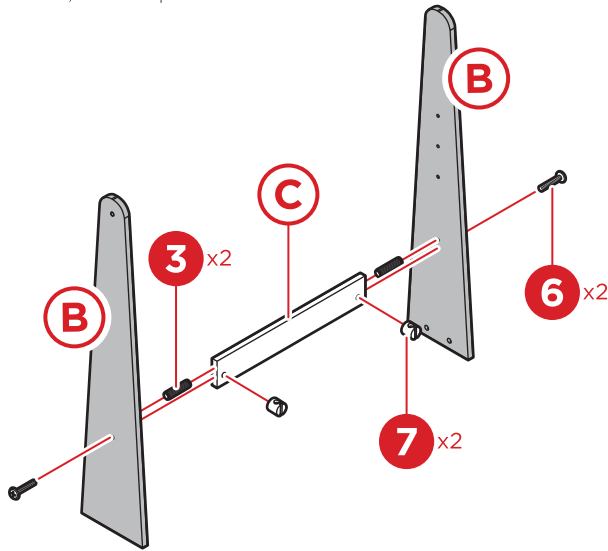
Attach the cabinet side set to the part G cabinet base with four part 3 dowels and four part 5 screws.



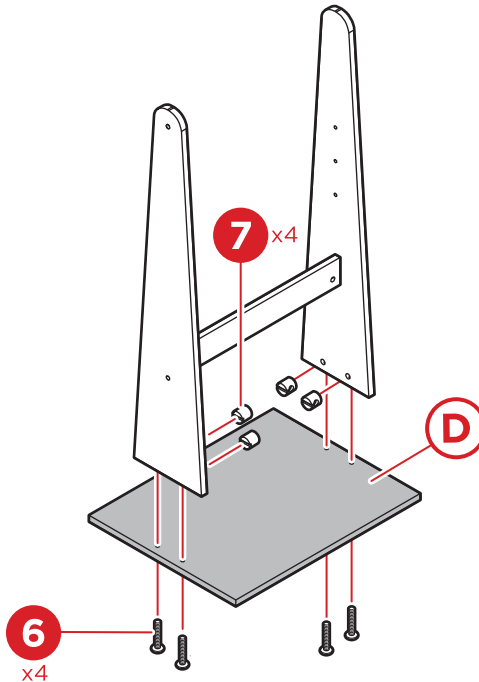
## PRODUCT ASSEMBLY

5

Attach two part B armoire supports to the part C support brace with two part 3 dowels, two part 7 barrel nuts, and two part 6 barrel bolts.



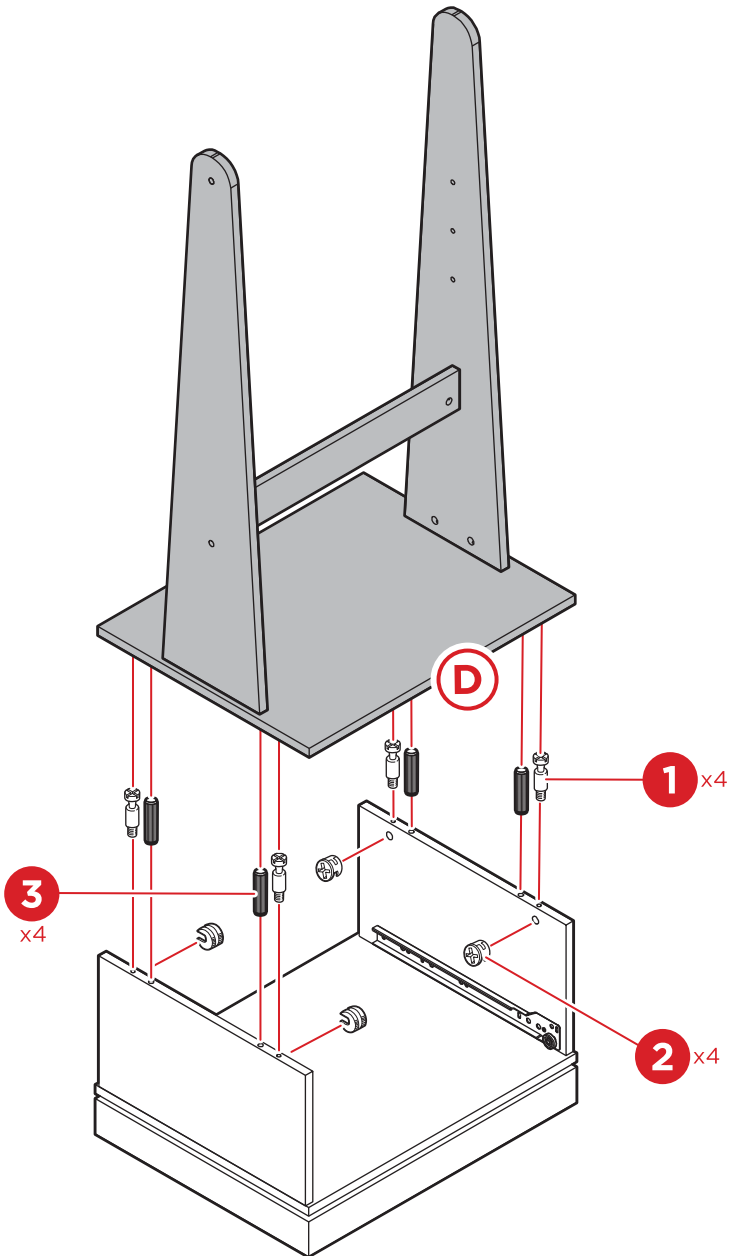
Attach the support assembly to the part D cabinet top with four part 7 barrel nuts and four part 6 barrel bolts.



## PRODUCT ASSEMBLY

6

Attach the part D cabinet top to the cabinet assembly with four part 3 dowels, four part 1 lag bolts, and four part 2 lag nuts.

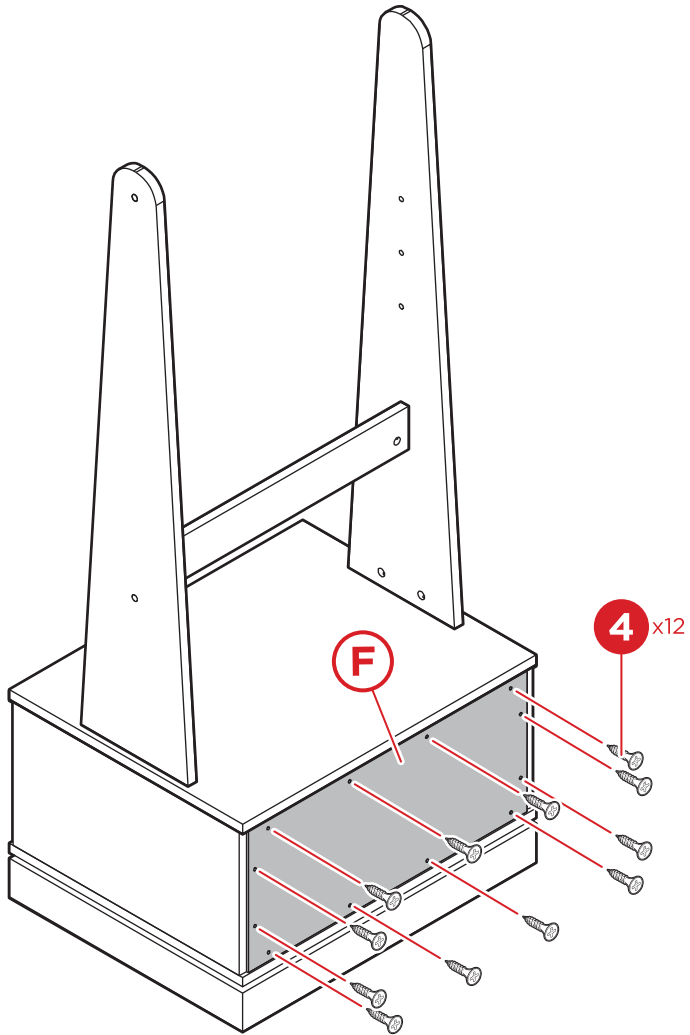




## PRODUCT ASSEMBLY

7

Attach the part F cabinet back with twelve part 4 screws.

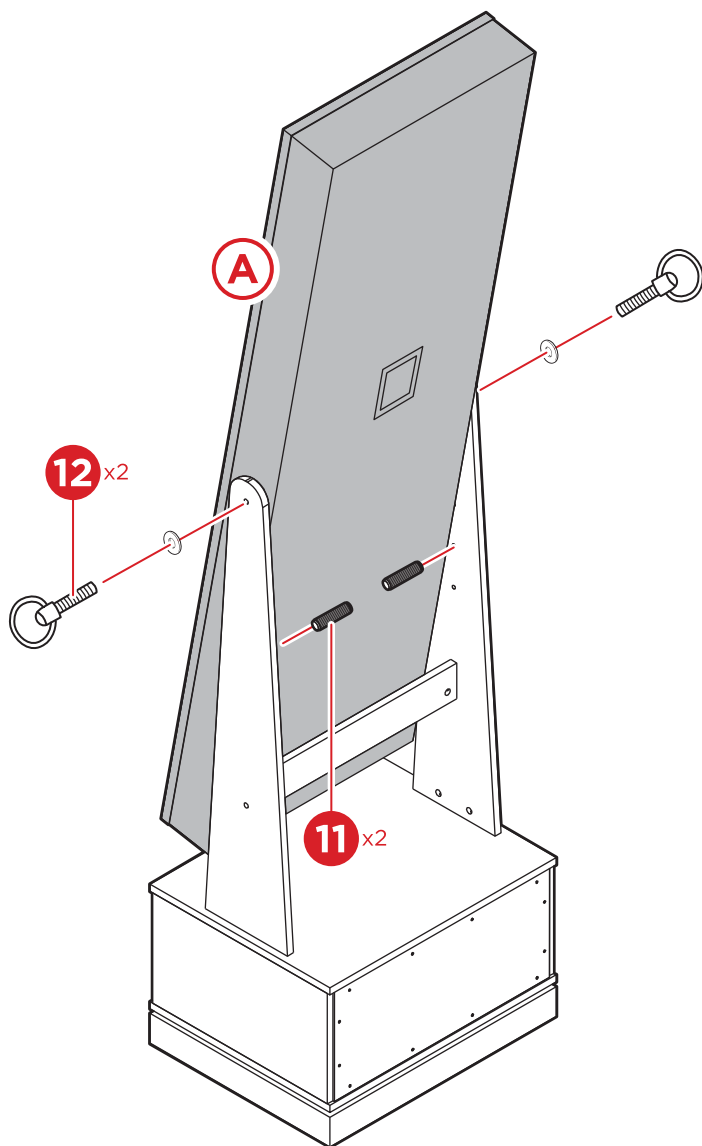


## PRODUCT ASSEMBLY

8

Attach the part A armoire to the supports with two part 12 connector sets.

Insert two part 11 dowels into the corresponding holes, depending on your desired angle.

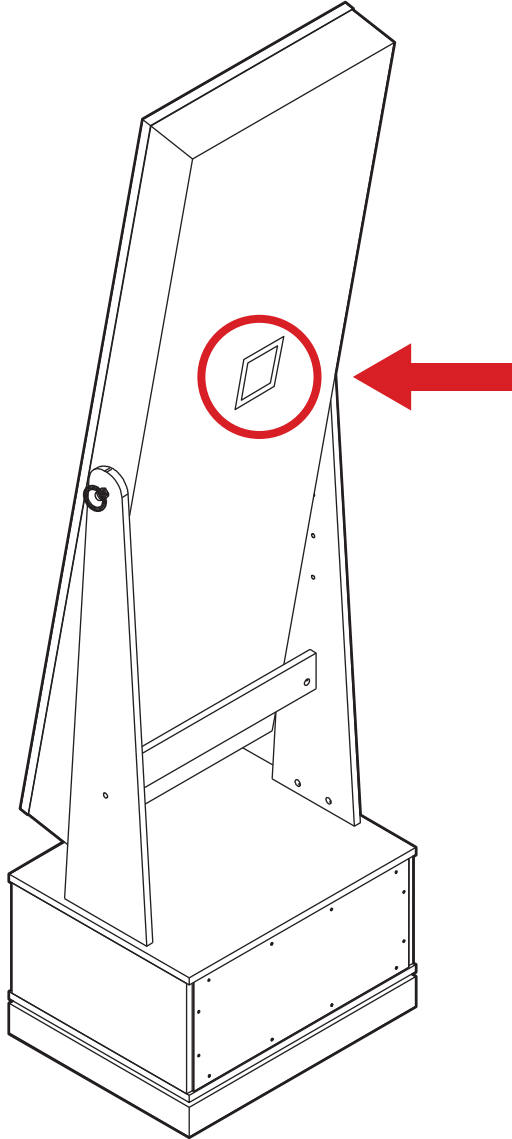


## INSTALLING BATTERIES

This armoire requires a total of 3 AA batteries.

9

Locate the battery compartment on the back of the armoire. Remove the cover plate and install three AA-batteries.





# HELP CENTER



Question about your product? We're here to help. Visit us at:

[help.bestchoiceproducts.com](http://help.bestchoiceproducts.com)



Product Assembly



Returns & Refunds

## PRODUCT WARRANTY INFORMATION

All items can be returned for any reason within 60 days of the receipt and will receive a full refund as long as the item is returned in its original product packaging and all accessories from its original shipment are included. All returned items will receive a full refund back to the original payment method. All returned items will not be charged a re-stocking fee.

All returned items require an RA (Return Authorization) number, which can only be provided by a Best Choice Products Customer Service Representative when the return request is submitted. Items received without an RA may not be accepted or may increase your return processing time. Once an item has been received by Best Choice Products, refunds or replacements will be processed within 5 business days.

All returns must be shipped back to the Best Choice Products Return Center at the customer's expense. If the reason for return is a result of an error by Best Choice Products then Best Choice Products will provide a pre-paid shipping label via email. Boxes for return shipping will not be provided by Best Choice Products, and is the customer's responsibility to either use the original shipping boxes or purchase new boxes.

Pictures may be required for some returns to ensure an item is not damaged prior to its return. Items returned are not considered undamaged until they are received by Best Choice Products and verified as such. All damages to items are the customer's responsibility until the item has been received by and acknowledge by Best Choice Products as undamaged.

## WARNING

Manufacturer and seller expressly disclaim any and all liability for personal injury, property damage or loss, whether direct, indirect, or incidental, resulting from the incorrect attachment, improper use, inadequate maintenance, unapproved modification, or neglect of this product.