

ASSEMBLY INSTRUCTIONS

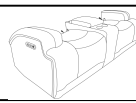







TITAN COLLECTION

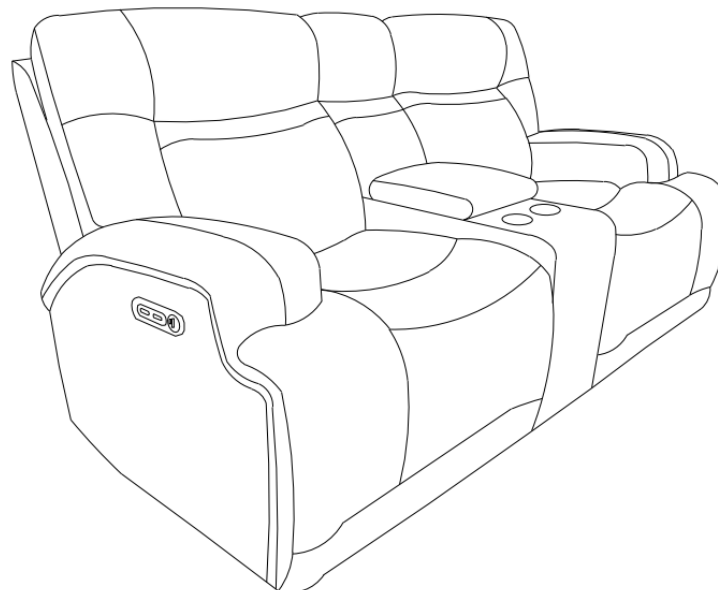
ITEM#:U5437-25P2

DESCRIPTION : TITAN CONSOLE LOVESEAT
W/PWR HR & FR

Thank you for purchasing this quality product. Be sure to check all packing materials carefully for small parts, which may have come loose during shipment. Identify and count all items and compare with the parts list shown below. It is recommended to have two people during assembling and to remove the back and base of the furniture out from the box.

Please follow the drawings below to assemble the item

Parts List			
NO.	DESCRIPTION	SKETCH	Q'TY
A	Seat		1 PC
B	Left Side Facing (LSF) backrest		1 PC
C	Console backrest		1 PC
D	Right Side Facing (RSF) backrest		1 PC
E	Knob Screw		2 PCS
F	Transformer		1 PC
G	Left Side Facing (LSF) Wing		1 PC
H	Right Side Facing (RSF) Wing		1 PC



All images shown are for illustration purpose only.
Actual product may vary due to product enhancement.

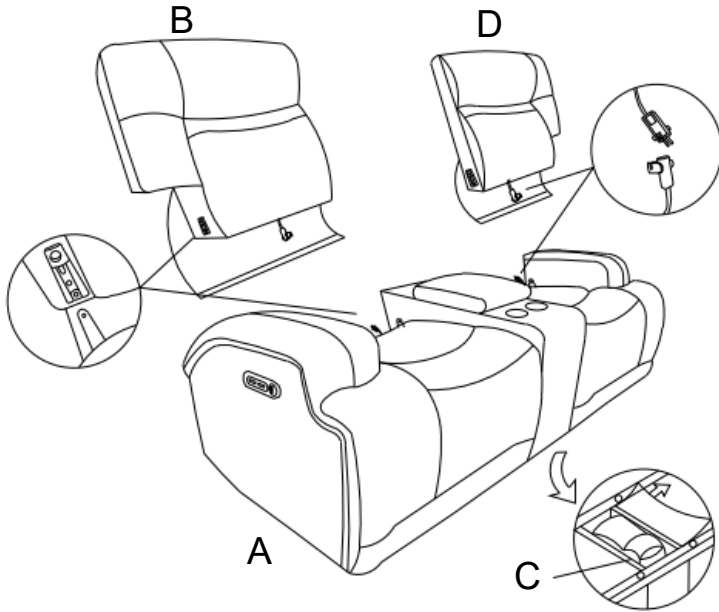
ASSEMBLY INSTRUCTIONS

TITAN COLLECTION

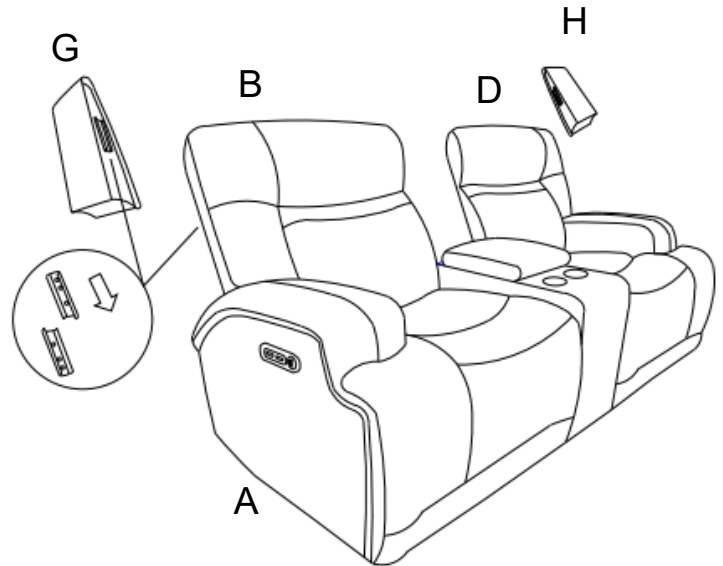
ITEM#:U5437-25P2

DESCRIPTION : TITAN CONSOLE LOVESEAT
W/PWR HR & FR

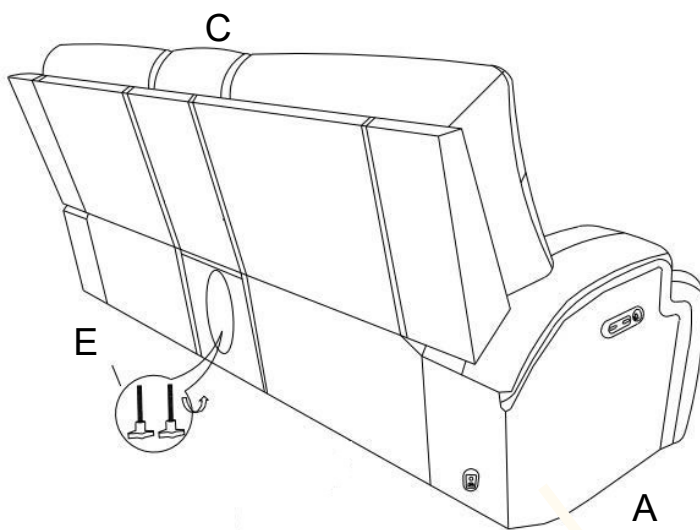
Step 1:
Locate the Console Backrest (C) underneath the seat (A). Attach the LSF and RSF backrests (B & D) to the seat (A) and connect the wire between the LSF and RSF backrests (B & D) with the wire on the seat (A).



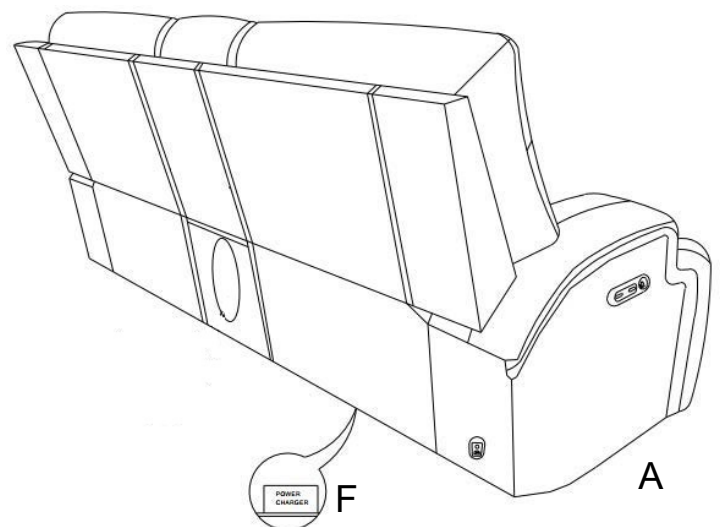
Step 2:
Attach the LSF Wing (G) to LSF Backrest (B) and RSF Wing (H) to RSF Backrest (D).



Step 3:
Place the console Backrest (C) in the correct position and then attach to the seat (A) by turning the knob screws (E) counterclockwise.



Step 4:
Locate the transformer (F) at the bottom of the Seat (A).



All images shown are for illustration purpose only.
Actual product may vary due to product enhancement.

ASSEMBLY INSTRUCTIONS

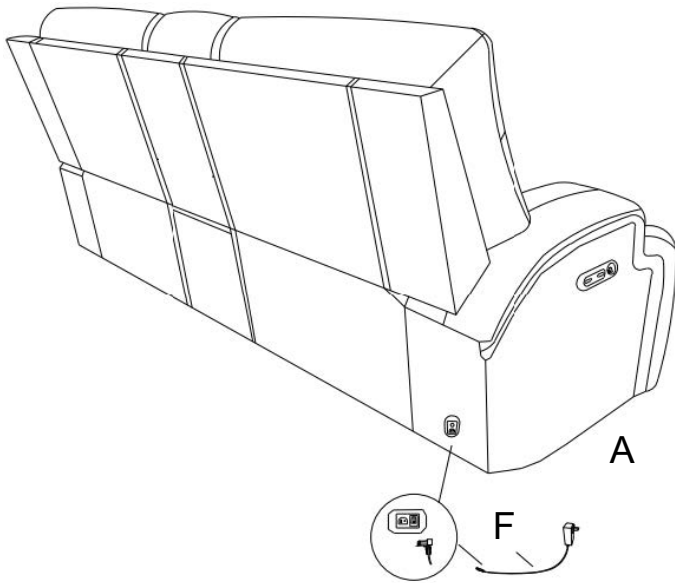
TITAN COLLECTION

ITEM#:U5437-25P2

DESCRIPTION : TITAN CONSOLE LOVESEAT
W/PWR HR & FR

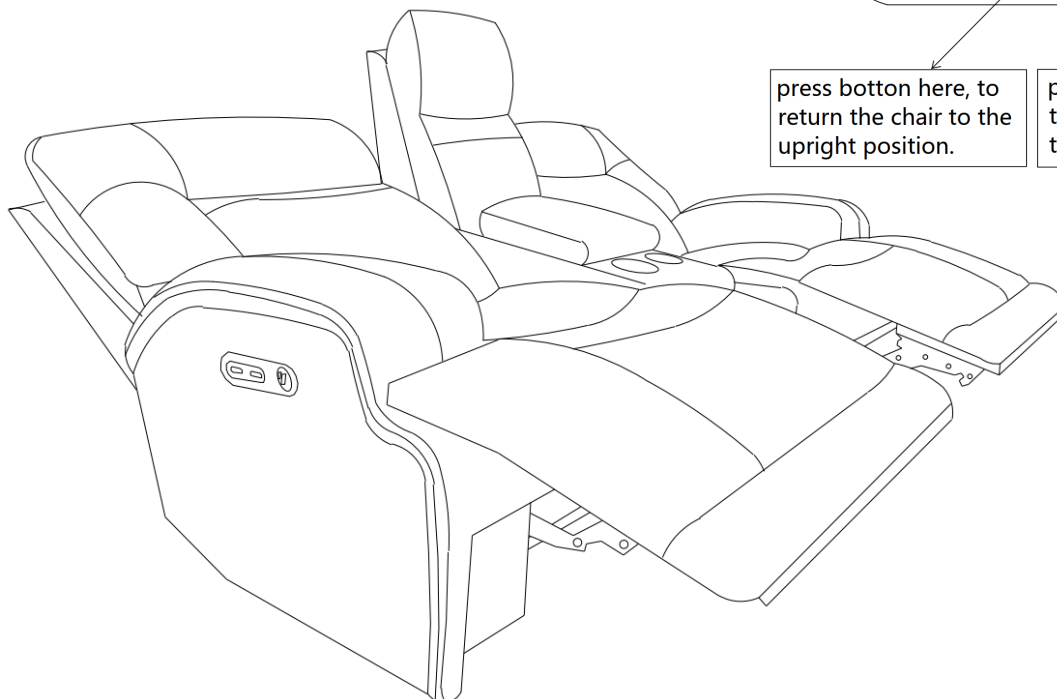
Step 5:

Connect the transformer (F) to the power socket on seat (A).



Step 6:

Open the footrest or move the headrest by pressing the power button.



press botton here, to
return the backrest to
the upright position.

press botton here, to
recline the backrest
to desired position.

press botton here, to
return the chair to the
upright position.

press botton here,
to recline the chair
to desired position.

USB interface

Type-C interface

All images shown are for illustration purpose only.
Actual product may vary due to product enhancement.