



K-300-KR

1/2" ceramic high-flow valve with rigid connections

Features

- Time-tested and durable brass valve bodies
- For baths with finished deck- or rim-mount installations
- Includes rigid connections



Available Colors/Finishes

Color tiles intended for reference only.

^{NA} NA Not Applicable



1-800-4KOHLER (1-800-456-4537)
Kohler Co. reserves the right to make revisions without notice to product specifications.
For the most current specification sheet, go to www.kohler.com USA or www.kohler.ca Canada.
5-12-2026 20:5 - US-CA

THE BOLD LOOK
OF **KOHLER**

Codes/Standards

ASME A112.18.1/CSA B125.1

Material

- Brass valve bodies
-

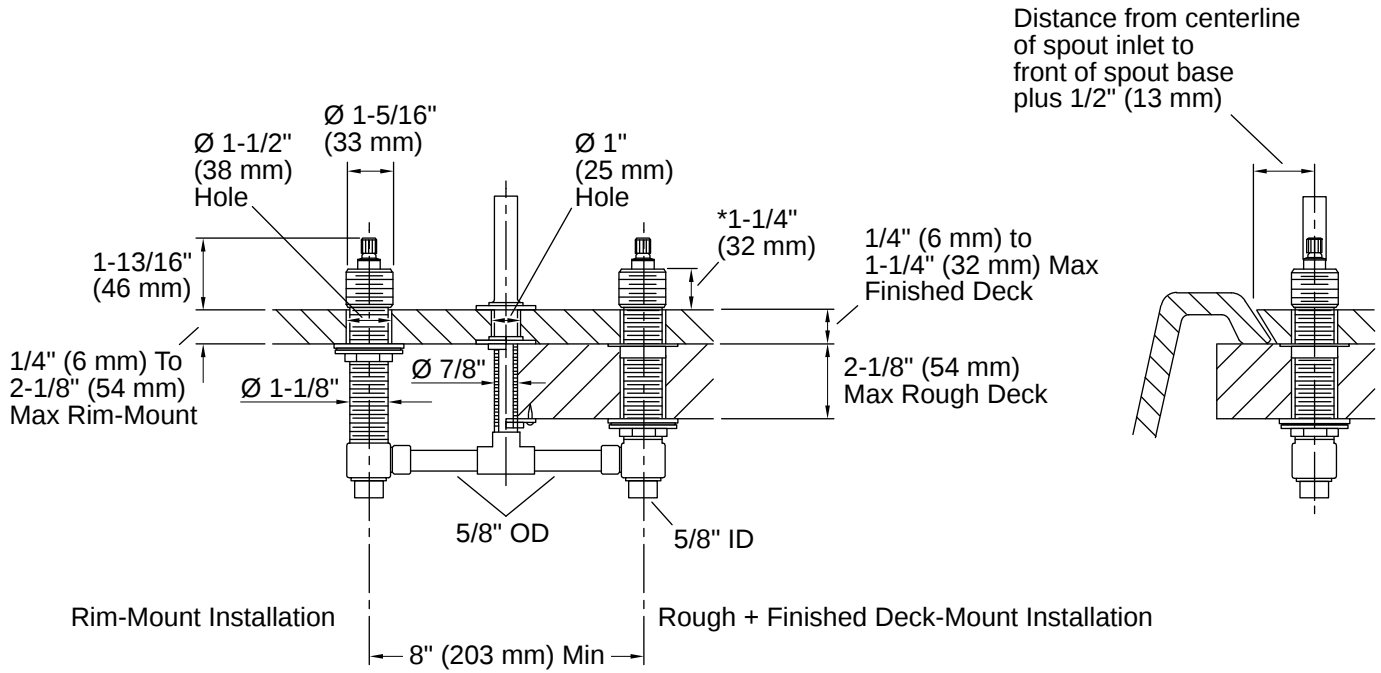
Warranty

See website for detailed warranty information.

KOHLER® Faucet Lifetime Limited Warranty



*Dimension allows ±1/4" (6 mm) handle adjustment during handle trim installation.



Installation Notes

Install this product according to the installation instructions.

