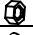

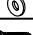

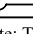




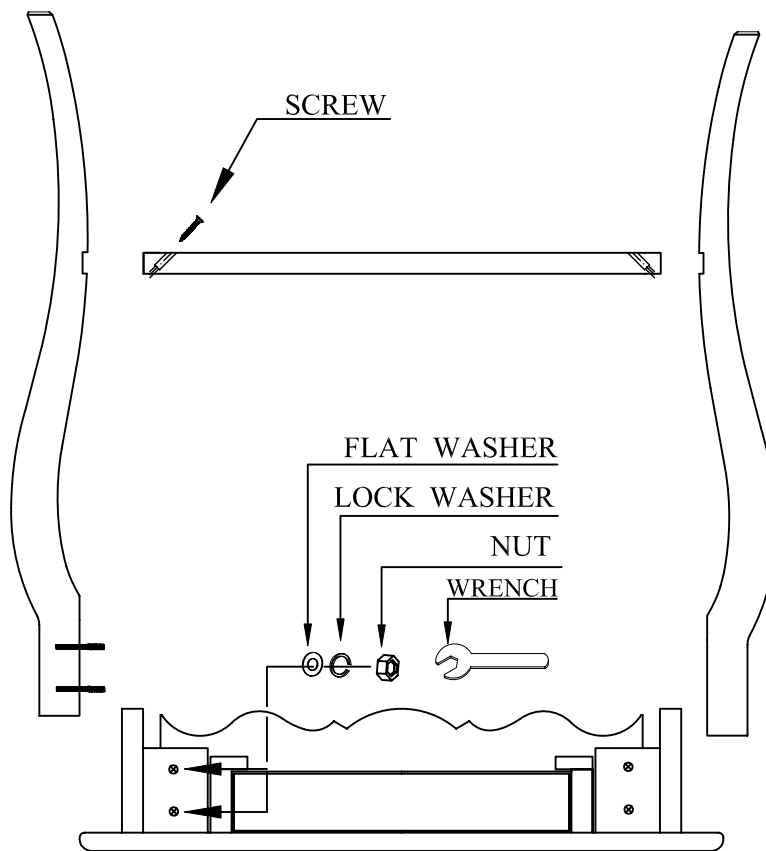
A HOWARD MILLER COMPANY

ASSEMBLY INSTRUCTIONS

8-7204 LAMP TABLE

NO.	Hardware List	Q'ty
A	 NUT 5/16" Dia	8
B	 Lock Washer 5/16" Dia	8
C	 FLAT Washer 5/16" Dia	8
D	 SCREW	4
E	 WRENCH	1

Note: Tools require screw driver



1. PLACE UNIT FACE DOWN ON SOFT MATERIAL TO PREVENT SCRATCHING SURFACE.
2. MATCH COLOR DOTS FOR CORRECT POSITION OF LEGS.
3. ALIGN THE SHELF WITH THE NOTCHES IN THE LEGS AND ASSEMBLY WITH SCREWS
4. PLACE LOCK WASHERS ON LEG BOLTS.
5. PLACE FLAT WASHERS ON LEG BOLTS.
6. TIGHTEN BOLTS TO SECURE LEGS.